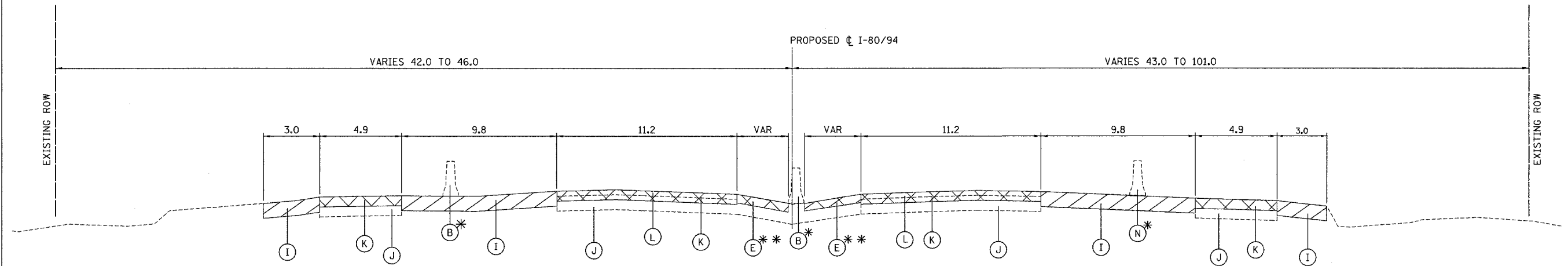


ALL DIMENSIONS IN METERS EXCEPT PAVEMENT ITEMS AND UNLESS NOTED OTHERWISE

F.A.I. RTE.	SECTION	COUNTY	TOTAL SHEETS	SHEET NO.
80/94	2626.2-R-2	COOK/LAKE	1207	19
STA.	TO STA.			
FED. ROAD DIST. NO.	ILLINOIS	FED. AID PROJECT		
CONTRACT NO. 62114	INDOT DES. NO. 0100987			



WESTBOUND
 STA. 9+110 TO STA. 9+395
 *STA. 9+110 TO STA. 9+395 CONCRETE BARRIER
 STA. 9+395 TO STA. 9+416 TEMPORARY CONCRETE BARRIER

INDIANA
EXISTING TYPICAL SECTION - I-80/94
 *STA. 9+201 TO STA. 9+226 CONCRETE BARRIER
 STA. 9+250 TO STA. 9+350 TEMPORARY CONCRETE BARRIER (BRIDGE PIERS)

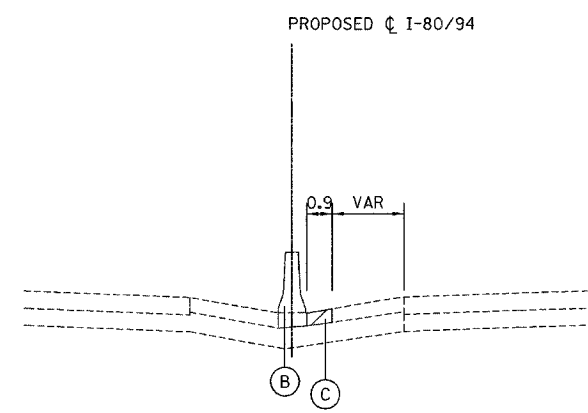
EASTBOUND
 STA. 9+227 TO STA. 9+375
 *STA. 9+227 TO STA. 9+444 TEMPORARY CONCRETE BARRIER

* * ① PAVED SHOULDER REMOVAL
 STA. 9+250 TO STA. 9+395 WB
 STA. 9+250 TO STA. 9+375 EB

EXISTING LEGEND

- Ⓐ STEEL SHEET PILING REMOVAL
- Ⓑ CONCRETE BARRIER REMOVAL
- Ⓒ PORTLAND CEMENT CONCRETE SHOULDERS - 360MM
- Ⓓ CONTINUOUSLY REINFORCED PORTLAND CEMENT CONCRETE PAVEMENT 360MM
- Ⓔ BITUMINOUS PAVEMENT 360MM, TEMPORARY
- Ⓕ SUB-BASE GRANULAR MATERIAL
- Ⓖ STABILIZED SUB-BASE 150MM
- Ⓗ CONCRETE BARRIER
- Ⓘ BITUMINOUS SHOULDERS (SEE TABLE)
- Ⓝ AGGREGATE SUBGRADE (300MM & VAR)
- Ⓚ PORTLAND CEMENT CONCRETE PAVEMENT (275MM & VAR)
- Ⓛ BITUMINOUS OVERLAY (115MM & VAR)
- Ⓜ BITUMINOUS SHOULDER PAVEMENT (250MM & VAR)
- Ⓝ TEMPORARY CONCRETE BARRIER
- Ⓞ CONTROLLED LOW STRENGTH MATERIAL
- Ⓟ PAVEMENT UNDERDRAIN
- Ⓠ RETAINING WALL BUILT BY OTHERS
- Ⓡ REINFORCED CONCRETE SHOULDERS
- Ⓢ SINGLE PLATE BEAM GUARDRAIL
- Ⓣ NOISE ABATEMENT WALL GROUND MOUNT
- Ⓤ NOISE ABATEMENT WALL STRUCTURE MOUNT

- Ⓧ PAVEMENT REMOVAL
- Ⓨ PAVED SHOULDER REMOVAL
- Ⓩ CONCRETE REMOVAL
- ⓐ PAVEMENT BREAKING



EXISTING TYPICAL SECTION - I-80/94
 STA. 9+382 TO STA. 9+650

SHOULDER THICKNESS TABLE

TYPE	OFFSET	STATIONS	ESTIMATED THICKNESS
CONCRETE	RIGHT	9+045.00 TO 9+275.00	300 mm

NOTE: THE TABLE PRESENTS THICKNESS OF ORIGINAL I-80/94 SHOULDERS REMAINING TO BE REMOVED IN PHASE III (2006). OTHER SHOULDERS REMOVED AND REPLACED WITH TEMPORARY PAVEMENT IN PREVIOUS PHASES ARE LABEL E.

REVISIONS	
NAME	DATE

ILLINOIS DEPARTMENT OF TRANSPORTATION
 I-80/94/US 6
 KINGERY-BORMAN EXPRESSWAY
 BURNHAM ROAD TO US 41
EXISTING TYPICAL SECTIONS
STA. 9+110 TO STA. 9+395
I-80/94/US 6

SCALE NTS
 DATE 07/05

DRAWN BY ACE/CAD
 CHECKED BY TAE

AMERICAN
 CONSULTING ENGINEERS