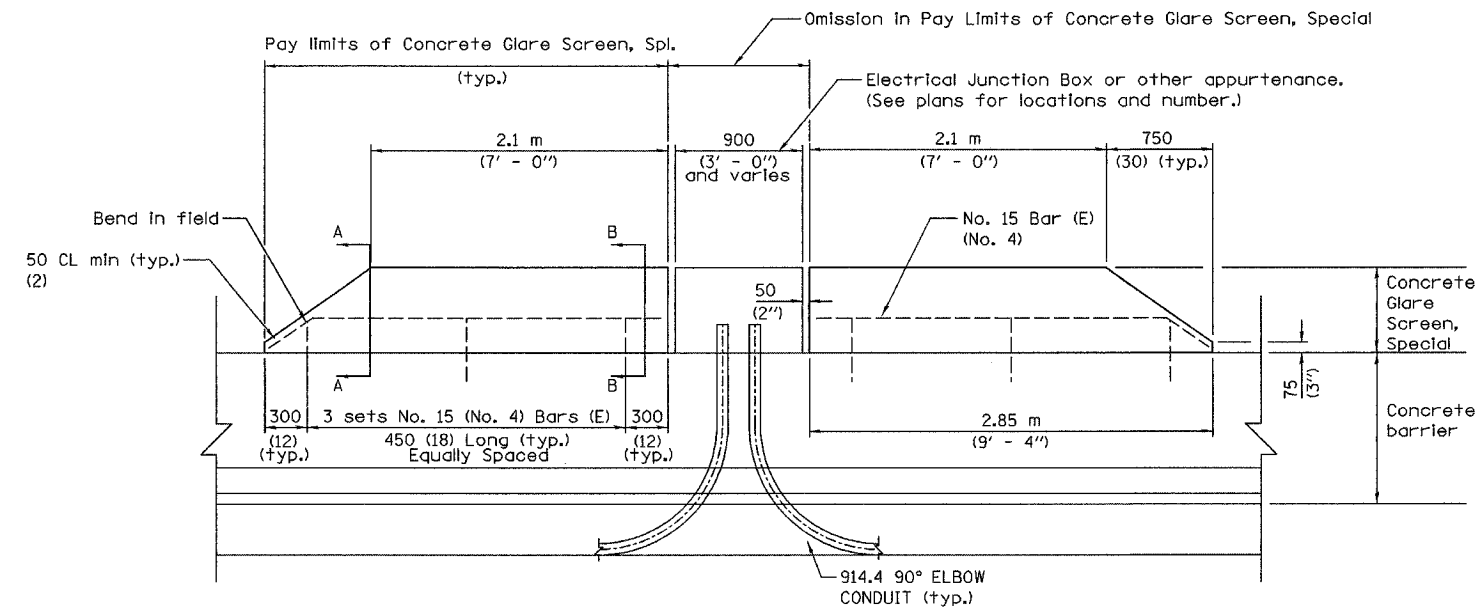
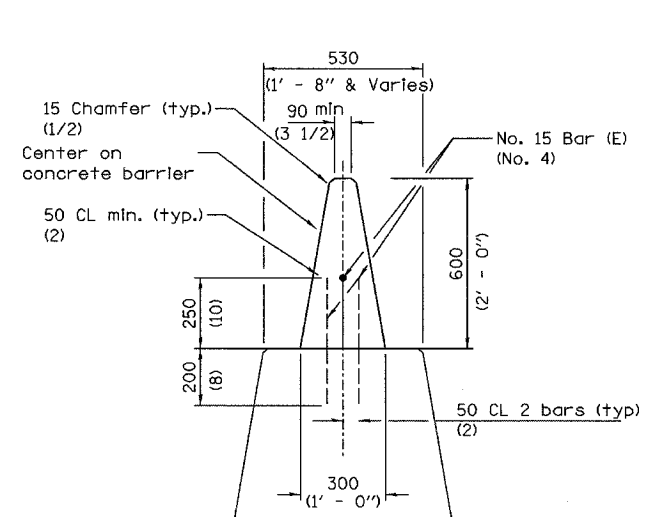


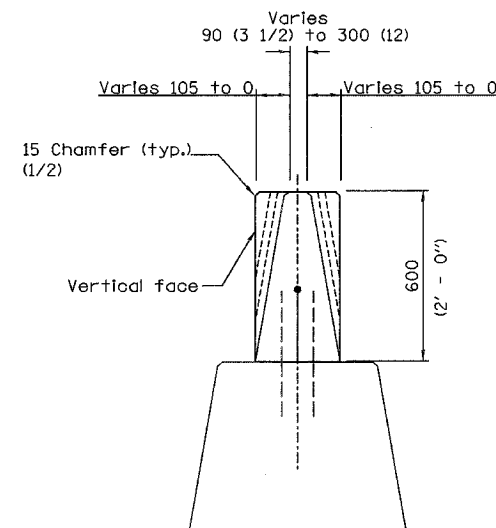
F.A.I. RTE.	SECTION	COUNTY	TOTAL SHEETS	SHEET NO.
80/94	2626.2-R-2	COOK/LAKE	1207	94
STA.		TO STA.		
FED. ROAD DIST. NO.		ILLINOIS FED. AID PROJECT		
CONTRACT NO. 62114		INDOT DES. NO. 0100987		



ELEVATION



SECTION A-A



SECTION B-B

(This section with vertical face shall be used in tangent sections between junction boxes and or other appurtenances.)

All dimensions are in millimeters (inches) unless otherwise shown.

ILLINOIS DEPARTMENT OF TRANSPORTATION
 I-80/94/US 6
 KINGERY-BORMAN EXPRESSWAY
 BURNHAM ROAD TO US 41
**CONCRETE GLARE SCREEN,
 SPECIAL**

REVISIONS	
NAME	DATE

SCALE NONE DRAWN BY ACE/CAD
 DATE 07/05 CHECKED BY TAE

