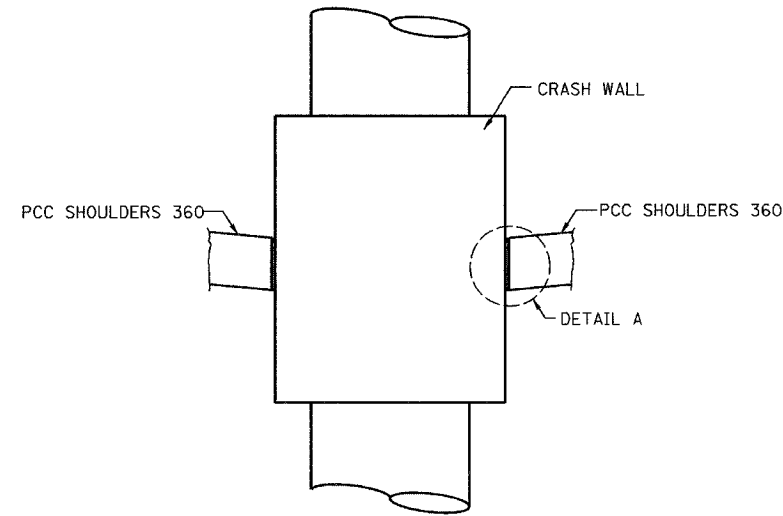
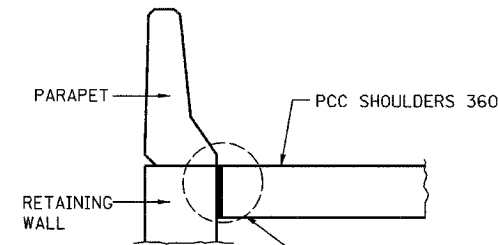


ALL DIMENSIONS IN METERS EXCEPT PAVEMENT ITEMS AND UNLESS NOTED OTHERWISE

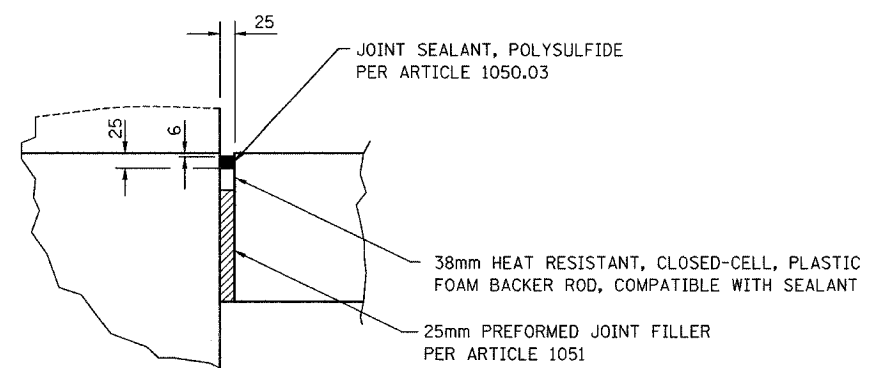
F.A.I. RTE.	SECTION	COUNTY	TOTAL SHEETS	SHEET NO.
80/94	2626.2-R-2	COOK/LAKE	1207	96
STA.		TO STA.		
FED. ROAD DIST. NO.	ILLINOIS	FED. AID PROJECT		
CONTRACT NO. 62114		INDOT DES. NO. 0100987		



ELEVATION VIEW @ CRASH WALL



ELEVATION VIEW @ RETAINING WALL

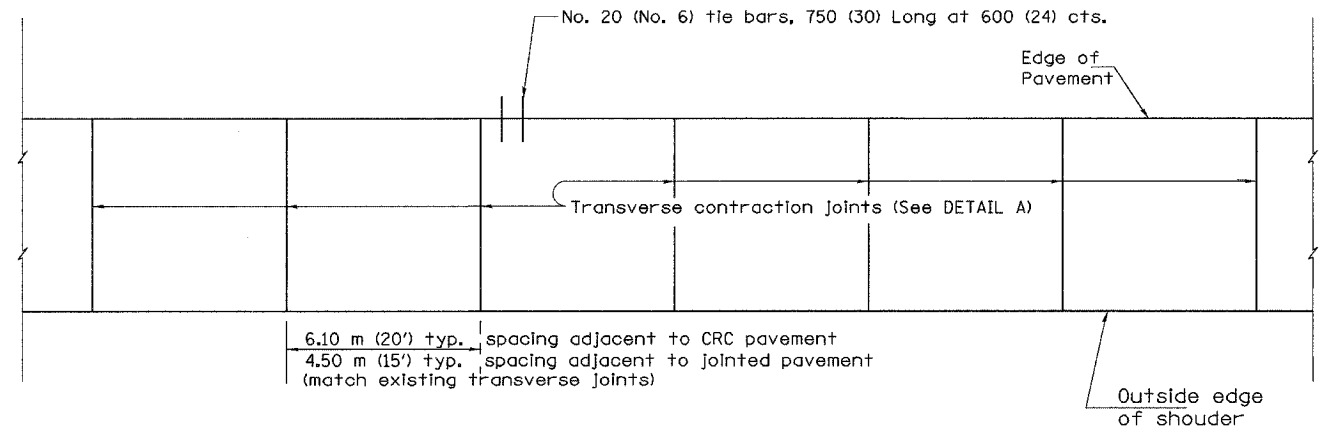


DETAIL A

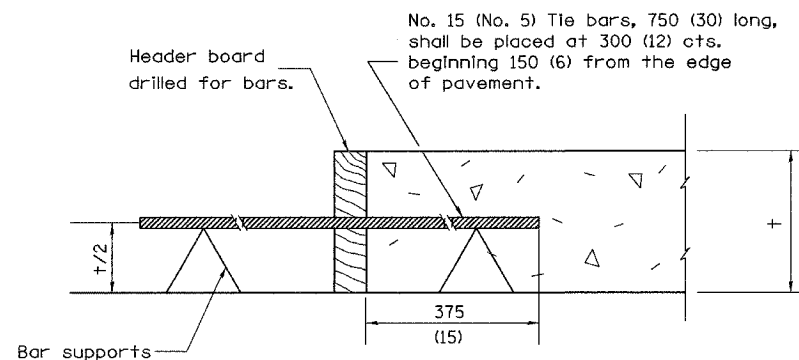
**SHOULDER JOINT AT RETAINING WALL / CRASH WALL DETAIL**

NOTE: THIS WORK SHALL BE CONSIDERED INCLUDED IN THE COST OF PCC SHOULDERS OF THE DEPTH SPECIFIED

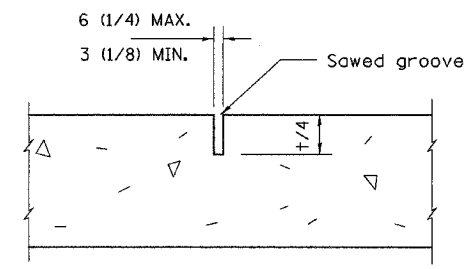
— Longitudinal Construction Joint



PLAN



TRANSVERSE CONSTRUCTION JOINT



DETAIL A  
TRANSVERSE CONTRACTION JOINT

NOTES

1. Transverse expansion joints shall be as detailed on Standard 420001 except that dowel bars will not be required.
2. See Standard 420001 for details not shown.

All dimensions are in millimeters (inches) unless otherwise shown.

ILLINOIS DEPARTMENT OF TRANSPORTATION  
I-80/94/US 6  
KINGERY-BORMAN EXPRESSWAY  
BURNHAM ROAD TO US 41

**PCC SHOULDER DETAILS**

REVISIONS	
NAME	DATE
Added bar supports.	4/05

SCALE NTS  
DATE 07/05

DRAWN BY ACE/CAD  
CHECKED BY TAE

