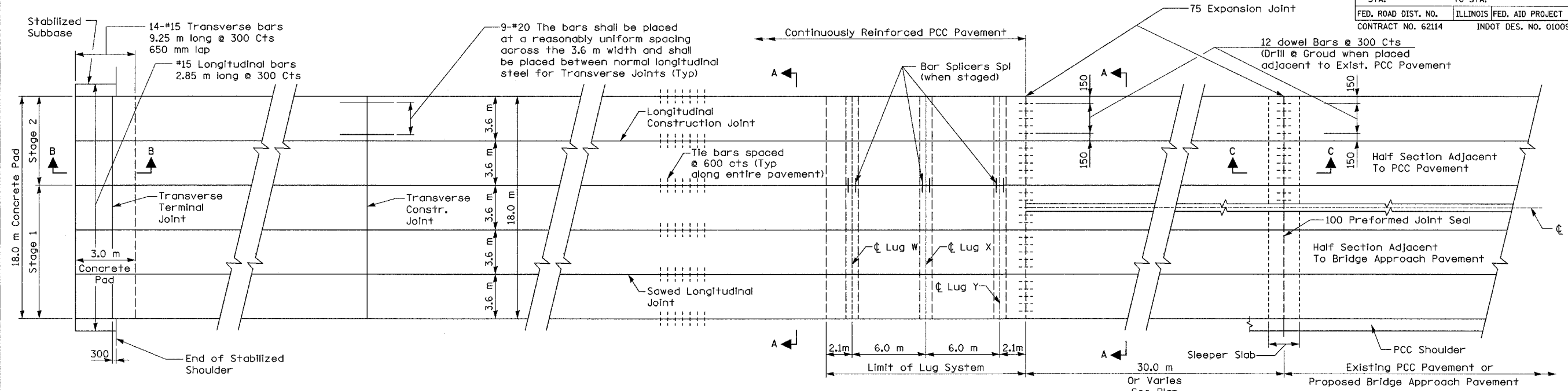
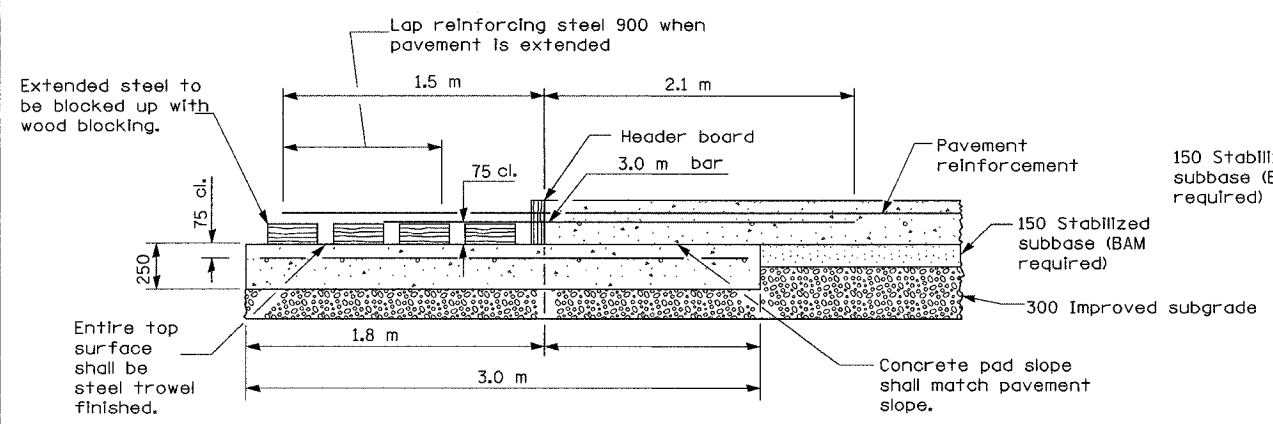


F.A.I. RTE.	SECTION	COUNTY	TOTAL SHEETS	SHEET NO.
80/94	2626.2-R-2	COOK/LAKE	1207	98
STA.	TO STA.			
FED. ROAD DIST. NO.	ILLINOIS FED. AID PROJECT			
CONTRACT NO. 62114	INDOT DES. NO. 0100987			

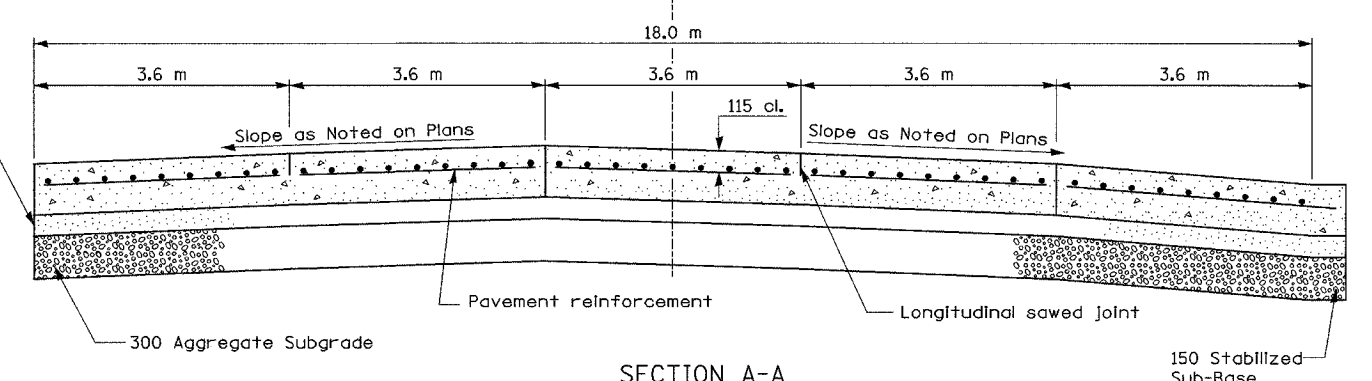


PLAN

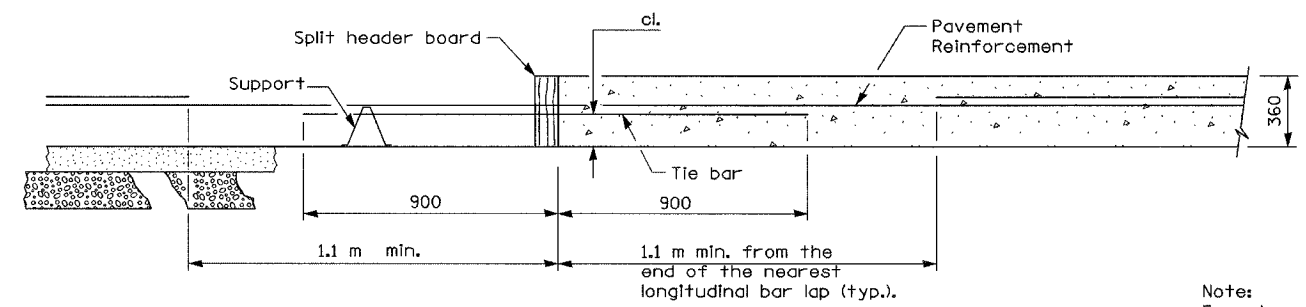


TRANSVERSE TERMINAL JOINT

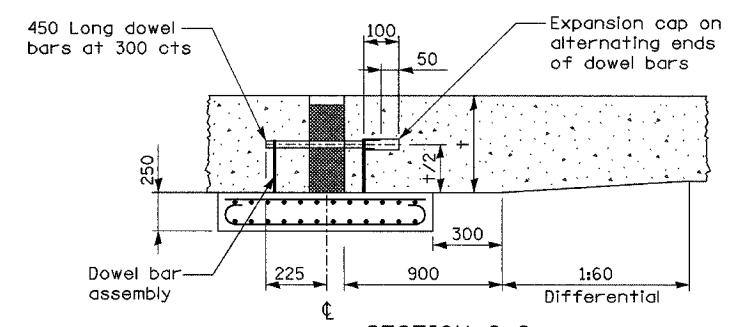
SECTION B-B



SECTION A-A



TRANSVERSE CONSTRUCTION JOINT



SECTION C-C

Note:
For stage construction of Transverse Construction Joint, see detail for Long Term Construction Joint Details.

All dimensions are in millimeters unless otherwise shown.

REVISIONS	
NAME	DATE

ILLINOIS DEPARTMENT OF TRANSPORTATION
I-80/94/US 6
KINGERY-BORMAN EXPRESSWAY
BURNHAM ROAD TO US 41
**18.0 M CRC PAVEMENT
(WITH LUG SYSTEM)**
SCALE NONE DRAWN BY ACE/CAD
DATE 07/05 CHECKED BY TAE
AMERICAN
CONSULTING ENGINEERS