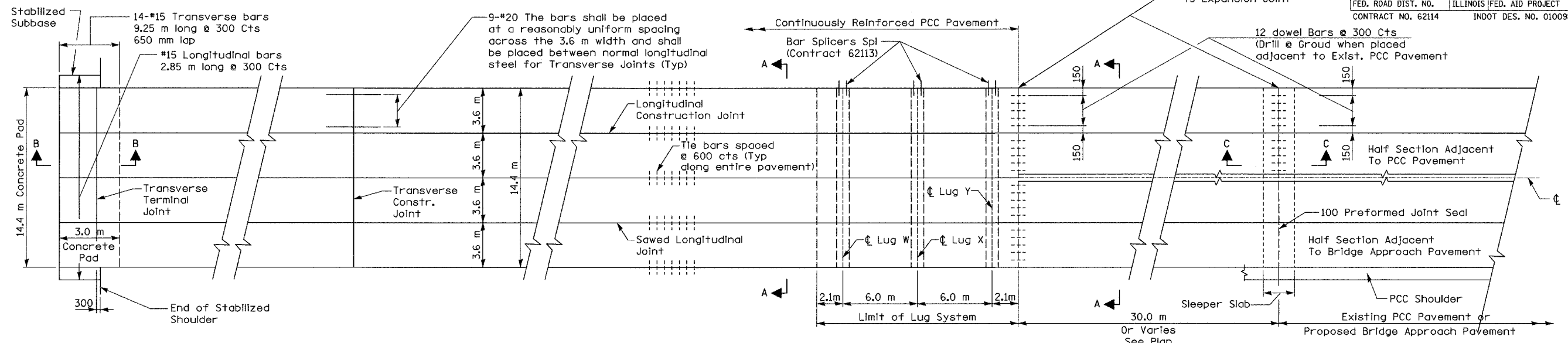
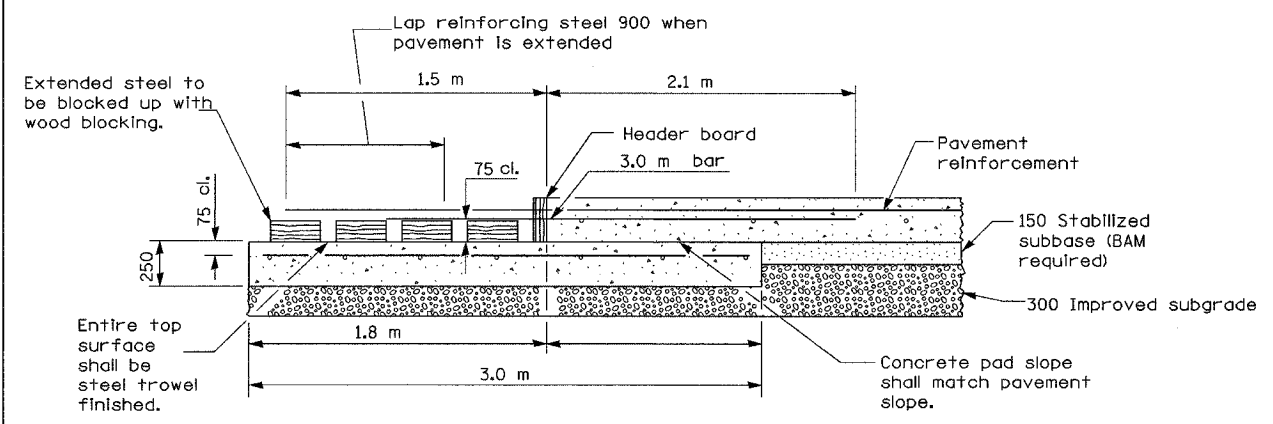


F.A.I. RTE.	SECTION	COUNTY	TOTAL SHEETS	SHEET NO.
80/94	2626.2-R-2	COOK/LAKE	1207	100
STA.	TO STA.			
FED. ROAD DIST. NO.	ILLINOIS FED. AID PROJECT			
CONTRACT NO. 62114	INDOT DES. NO. 0100987			

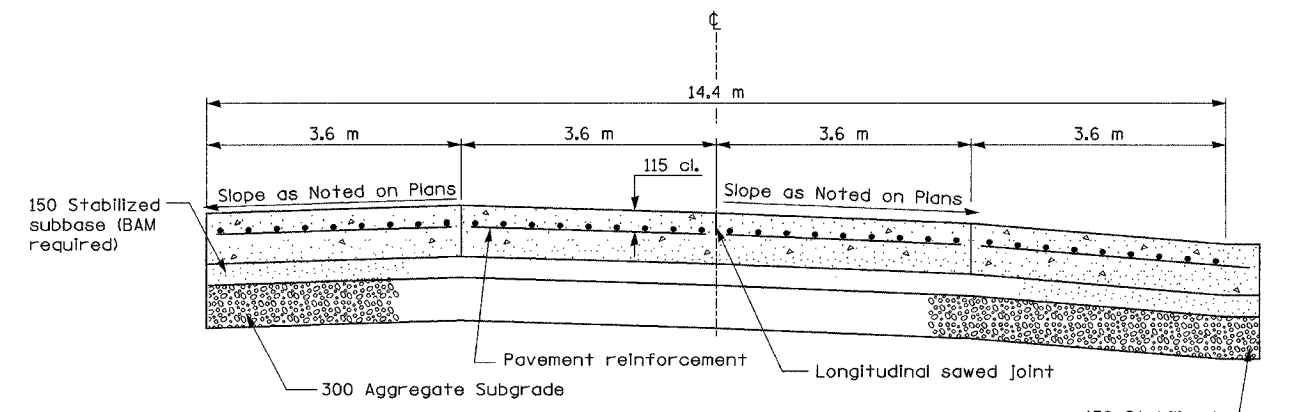


PLAN

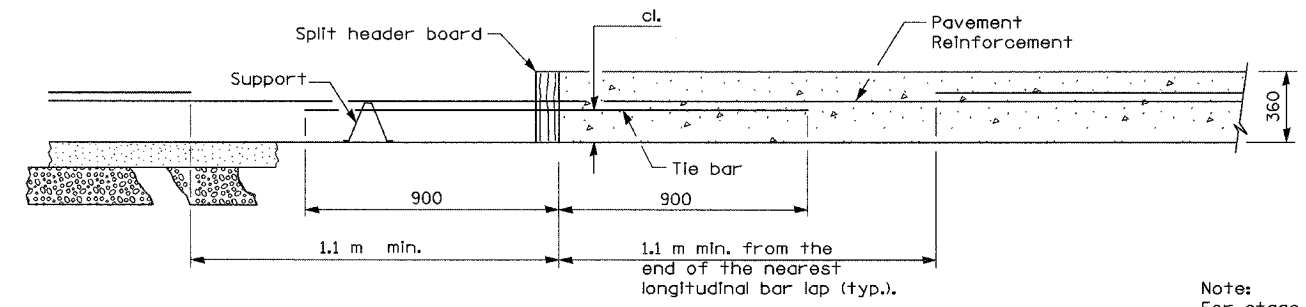


TRANSVERSE TERMINAL JOINT

SECTION B-B

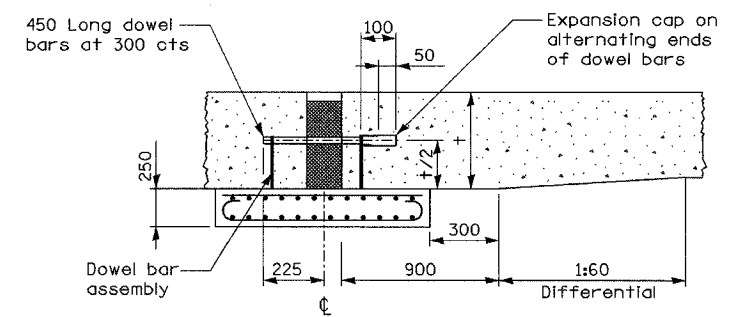


SECTION A-A



TRANSVERSE CONSTRUCTION JOINT

All dimensions are in millimeters unless otherwise shown.



SECTION C-C

Note:
For stage construction of Transverse Construction Joint, see detail for Long Term Construction Joint Details.

REVISIONS	
NAME	DATE

ILLINOIS DEPARTMENT OF TRANSPORTATION
I-80/94/US 6
KINGERY-BORMAN EXPRESSWAY
BURNHAM ROAD TO US 41
**14.4 M CRC PAVEMENT
(WITH LUG SYSTEM)**
SCALE NONE DRAWN BY ACE/CAD
DATE 07/05 CHECKED BY TAE

I:\Projects\10100111a.rvt 05/12/2005 02:00:45 PM