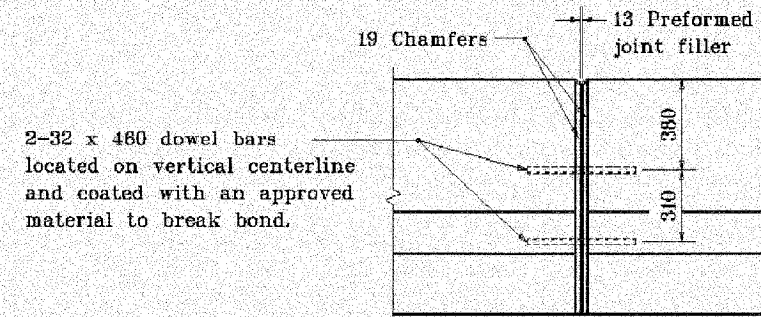
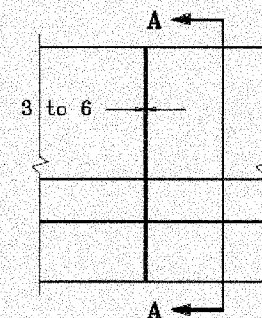


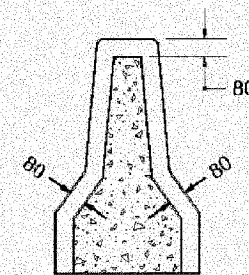
F.A.I. RTE.	SECTION	COUNTY	TOTAL SHEETS	SHEET NO.
80/94	2626.2-R-2	COOK/LAKE	1207	123
STA.	TO STA.			
FED. ROAD DIST. NO.	ILLINOIS	FED. AID PROJECT		
CONTRACT NO. 62114	INDOT DES. NO. 0100987			



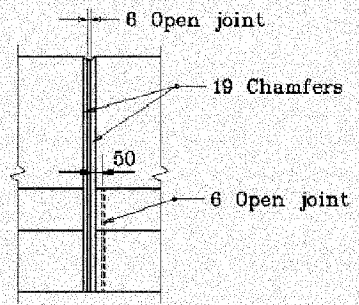
JOINT A



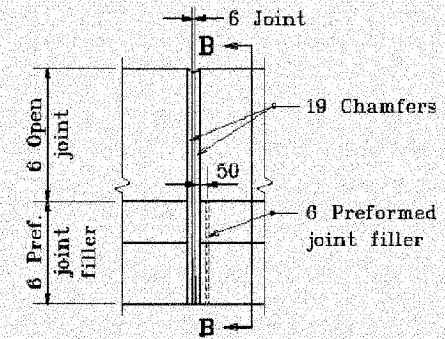
JOINT B



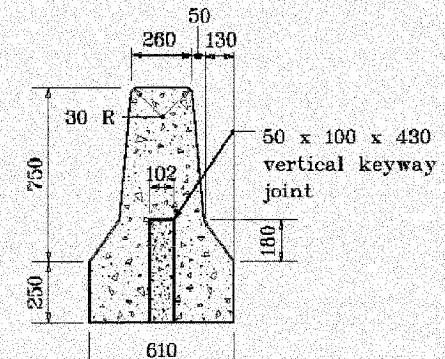
SECTION A-A



JOINT C



JOINT D



SECTION B-B

All dimensions are in mm unless otherwise specified.
INDIANA DEPARTMENT OF TRANSPORTATION

CONCRETE MEDIAN BARRIER

11/16/00

602-R-388d
1 of 5