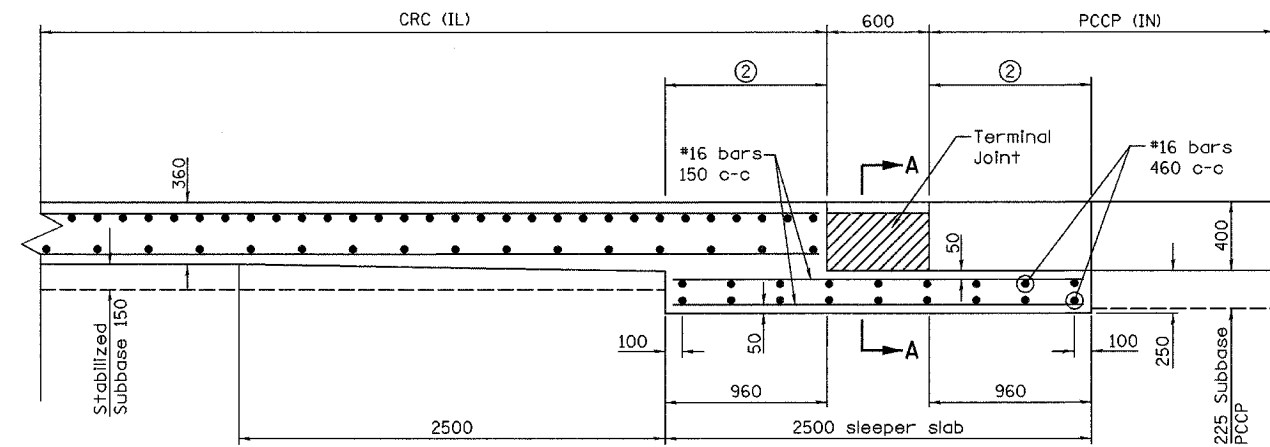
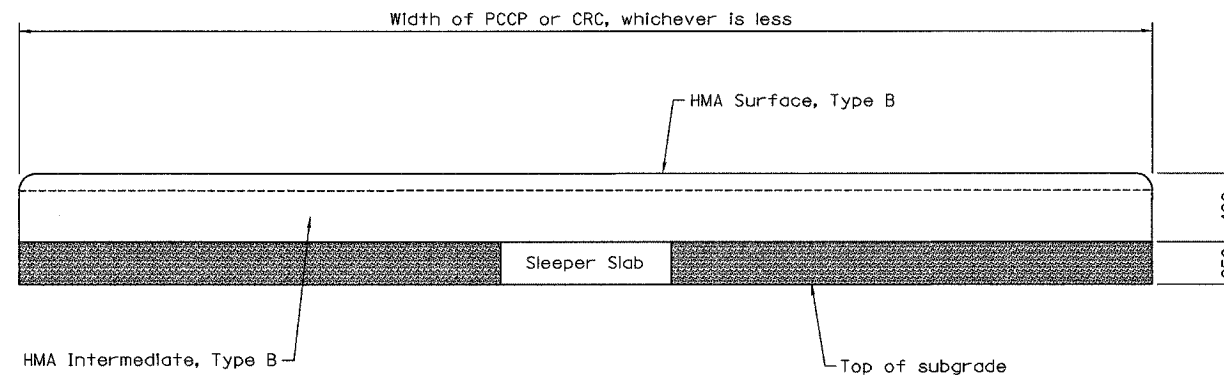


F.A.I. RTE.	SECTION	COUNTY	TOTAL SHEETS	SHEET NO.
80/94	2626.2-R-2	COOK/LAKE	1207	145
STA.	TO STA.			
FED. ROAD DIST. NO.	ILLINOIS	FED. AID PROJECT		
CONTRACT NO. 62114	INDOT DES. NO. 0100987			



REINFORCED CONCRETE BRIDGE APPROACH



**SECTION A-A
TERMINAL JOINT**

GENERAL NOTES:

- ① Terminal Joint elevation shall match elevation of adjacent PCCP and CRC.
- ② Limits of polyethylene bond breaker.

REVISIONS	
NAME	DATE

ILLINOIS DEPARTMENT OF TRANSPORTATION
I-80/94/US 6 (KINGERY EXPRESSWAY)
BURNAM ROAD TO US 41 (CALUMET AVE)

**TERMINAL JOINT
AT STATE LINE**

SCALE N.T.S.
DATE 07/05

DRAWN BY ACE/CAD
CHECKED BY TAE

