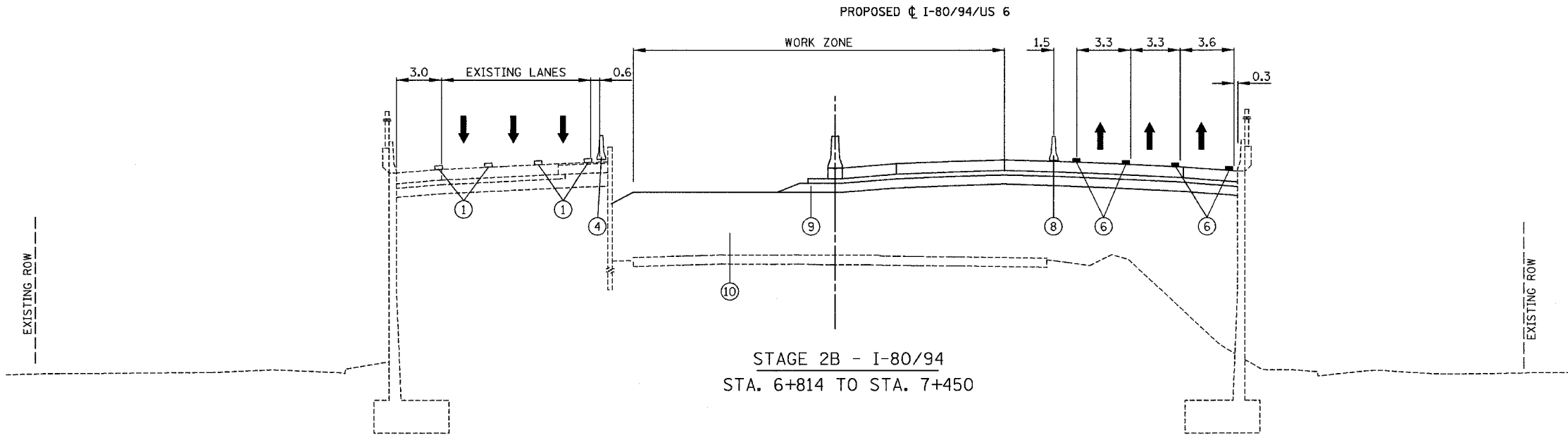
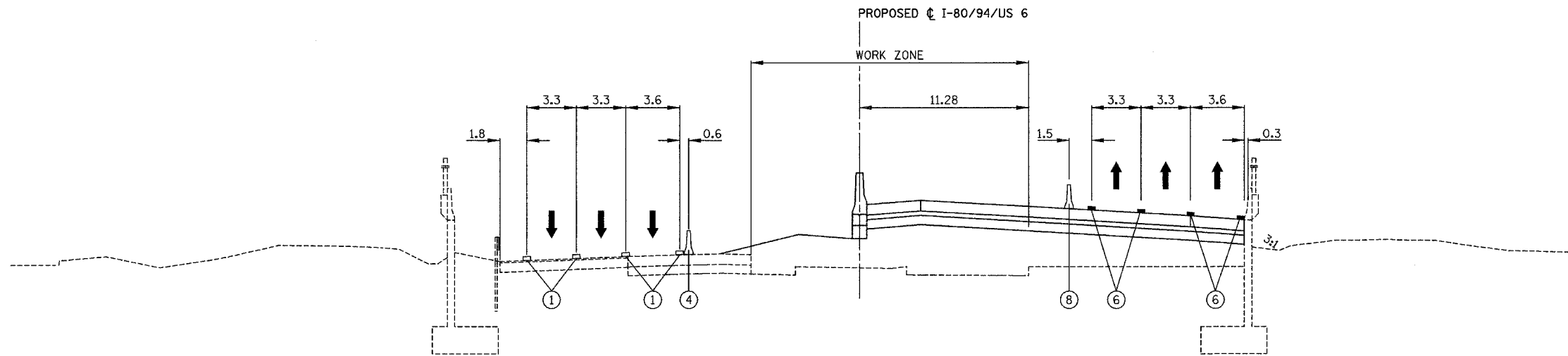


ALL DIMENSIONS IN METERS EXCEPT PAY ITEMS AND UNLESS NOTED OTHERWISE

F.A.I. RTE.	SECTION	COUNTY	TOTAL SHEETS	SHEET NO.
80/94	2626.2-R-2	COOK/LAKE	1207	187
STA.	TO STA.			
FED. ROAD DIST. NO.	ILLINOIS	FED. AID PROJECT		
CONTRACT NO. 62114	INDOT DES. NO. 0100987			



STAGE 2B - I-80/94
STA. 6+814 TO STA. 7+450



STAGE 2A & 2B - I-80/94
STA. 7+450 TO STA. 8+750

- LEGEND**
- ① EXISTING PAVEMENT MARKING
 - ② EXISTING GROUND LINE
 - ③ EXISTING CONCRETE BARRIER
 - ④ EXISTING TEMPORARY CONCRETE BARRIER
 - ⑤ DRUM OR TYPE II BARRICADES WITH STEADY BURN LIGHTS
 - ⑥ TEMPORARY PAVEMENT MARKINGS (SEE PLANS FOR DETAILS AND PAY ITEM)
 - ⑦ TEMPORARY PAVEMENT
 - ⑧ TEMPORARY CONCRETE BARRIER (SEE PLANS FOR PAY ITEM)
 - ⑨ PROPOSED SUBGRADE
 - ⑩ PROPOSED EMBANKMENT
 - ⑪ VERTICAL PANELS
 - ↑ TRAFFIC FLOW ARROW

VAR. - INDICATES THAT THIS DIMENSION VARIES IN THE VICINITY OF THE INDICATED TYPICAL SECTION

NOTE: STATION LIMITS SHOWN AS APPROXIMATE INFORMATION ONLY.

REVISIONS	
NAME	DATE

ILLINOIS DEPARTMENT OF TRANSPORTATION
I-80/94/US 6
KINGERY-BORMAN EXPRESSWAY
BURNHAM ROAD TO US 41
**MAINTENANCE OF TRAFFIC
TYPICAL SECTIONS
I-80 /94 /US-6**

SCALE NTS
DATE 07/05

DRAWN BY ACE/CAD
CHECKED BY TAE

AMERICAN
CONSULTING ENGINEERS