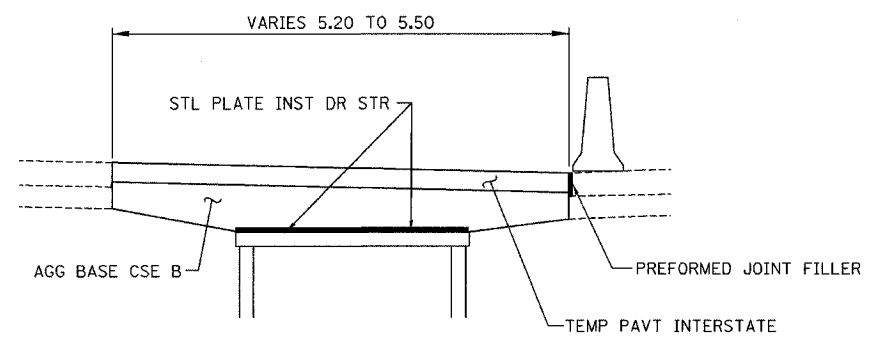
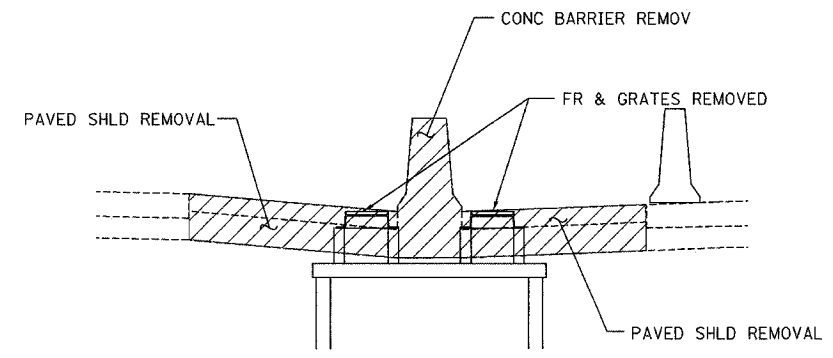
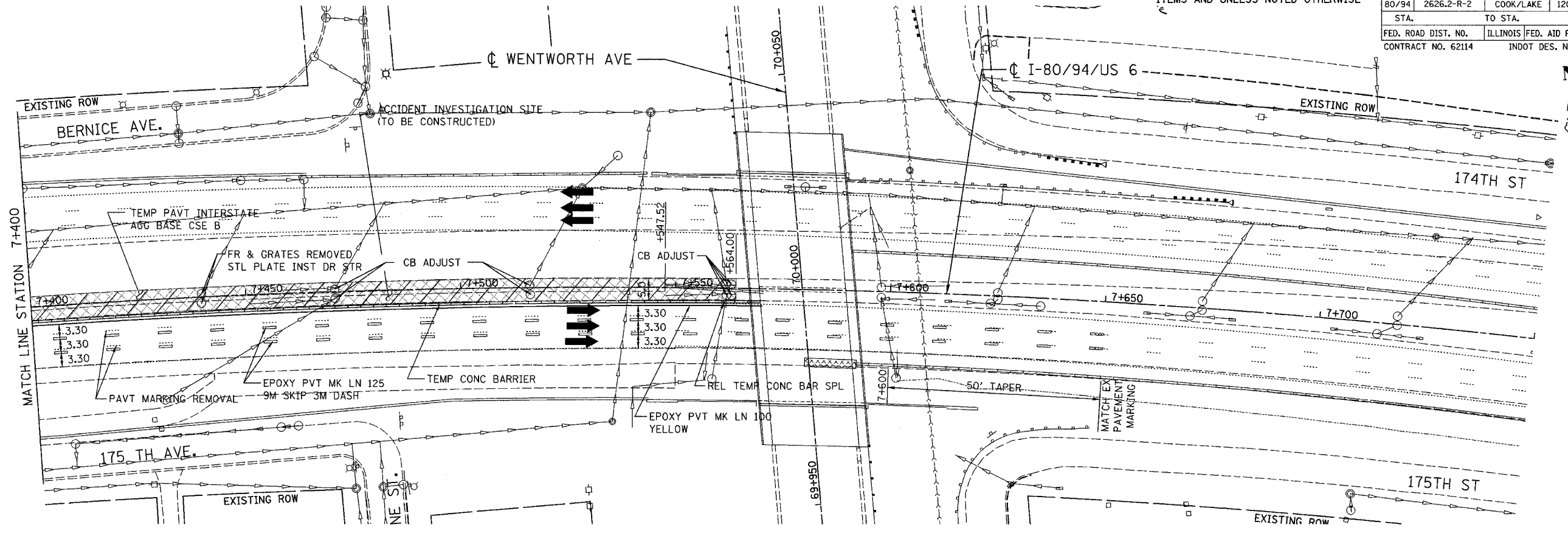


ALL DIMENSIONS IN METERS EXCEPT PAY ITEMS AND UNLESS NOTED OTHERWISE

F.A.I. RTE.	SECTION	COUNTY	TOTAL SHEETS	SHEET NO.
80/94	2626.2-R-2	COOK/LAKE	1207	193
STA.	TO STA.			
FED. ROAD DIST. NO.	ILLINOIS FED. AID PROJECT			
CONTRACT NO. 62114	INDOT DES. NO. 0100987			

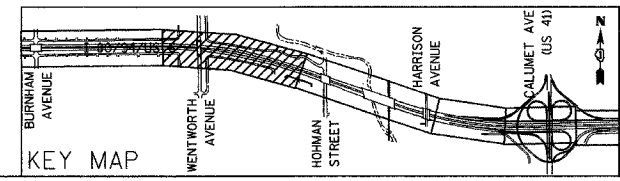


MEDIAN PAVING DETAIL

NOTES:

ANY EXCAVATION BELOW THE EXISTING ROADWAY WILL NOT BE PAID FOR SEPARATELY, BUT WILL BE INCLUDED IN THE COST OF PAVED SHOULDER REMOVAL.

PREFORMED JOINT FILLER WILL NOT BE PAID FOR SEPARATELY, BUT WILL BE INCLUDED IN THE COST OF TEMPORARY PAVEMENT (INTERSTATE).



REVISIONS	
NAME	DATE

ILLINOIS DEPARTMENT OF TRANSPORTATION
 I-80/94/US 6
 KINGERY-BORMAN EXPRESSWAY
 BURNHAM ROAD TO US 41
**MAINTENANCE OF TRAFFIC
 PRE-STAGE 1**
STA. 7+400 TO STA. 8+100
 SCALE 1:500 DRAWN BY ACE/CAD
 DATE 07/05 CHECKED BY TAE

AMERICAN
 CONSULTING ENGINEERS