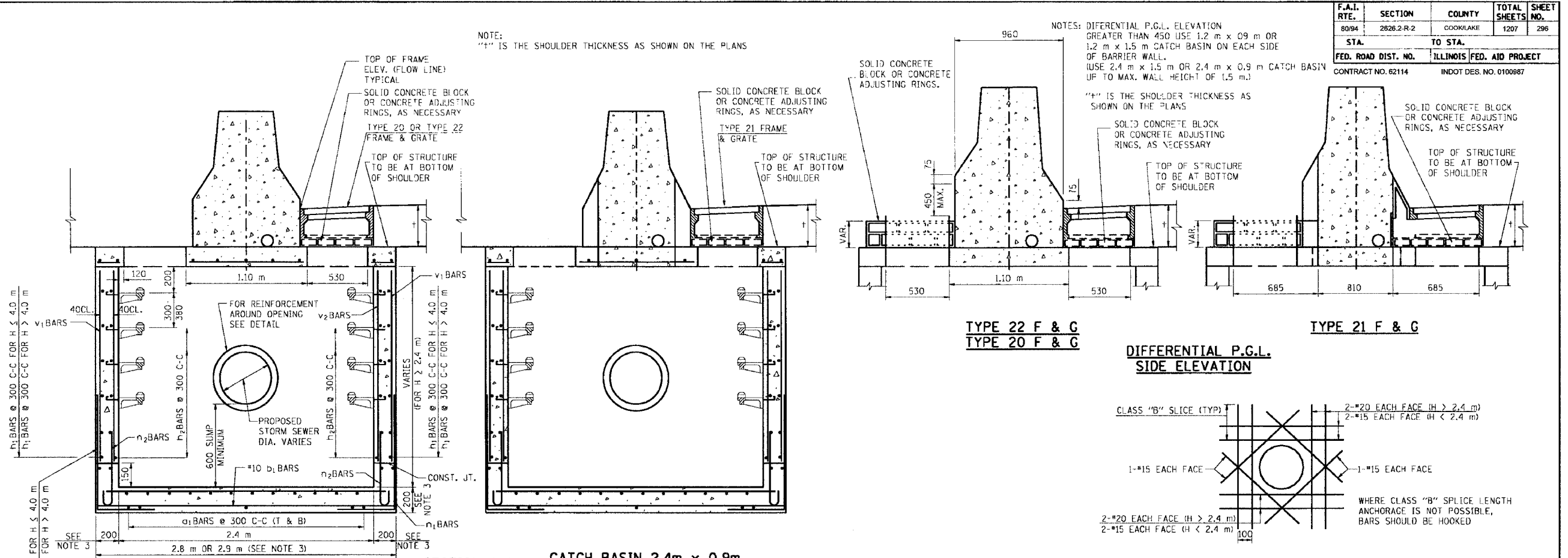
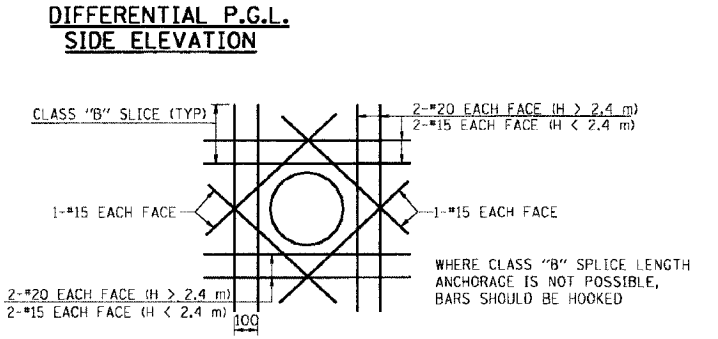


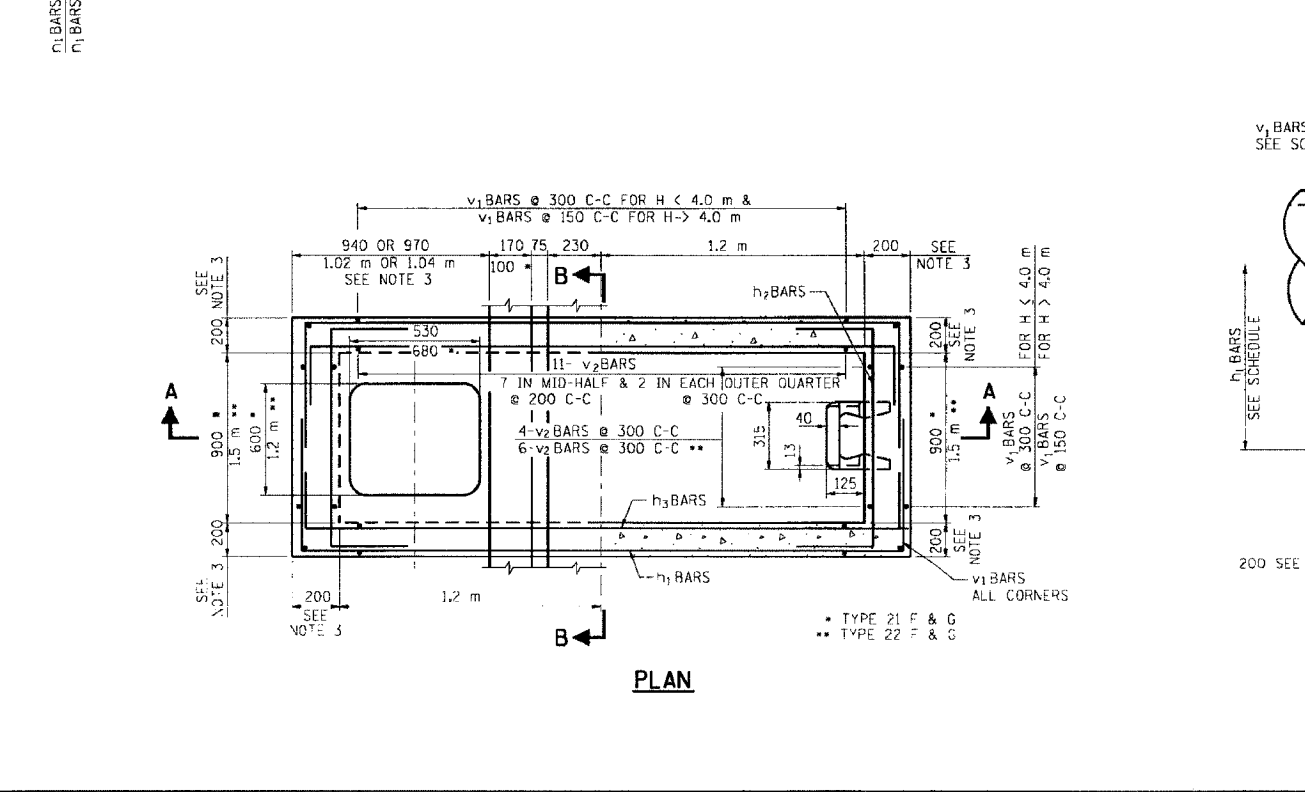
F.A.I. RTE.	SECTION	COUNTY	TOTAL SHEETS	SHEET NO.
80/94	2826.2-R-2	COOK/LAKE	1207	296
STA.	TO STA.			
FED. ROAD DIST. NO.	ILLINOIS FED. AID PROJECT			
CONTRACT NO. 62114	INDOT DES. NO. 0100987			



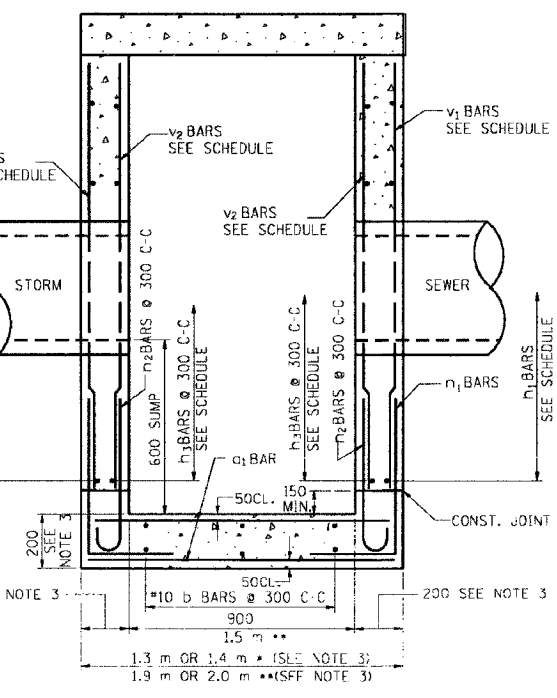
**SECTION A-A SIDE ELEVATION**  
**CATCH BASIN 2.4m x 1.5m (TYPE 22 F & G)**  
**CATCH BASIN 2.4m x 0.9m (TYPE 20 F & G)**



**TYPICAL REINFORCEMENT DETAIL AROUND OPENINGS**  
 (OPENING > 300)



**PLAN**  
 • TYPE 21 F & G  
 •• TYPE 22 F & G



**SECTION B-B FRONT ELEVATION**

- NOTES:**
- DRAINAGE STRUCTURES SHALL CONFORM TO I.D.O.T. STANDARD 602101 EXCEPT AS NOTED.
  - SEE STANDARD 602701 FOR DETAILS OF CAST IRON STEPS.
  - WHEN H > 4.9 m, THE THICKNESS OF WALLS AND BASE SLAB SHALL BE INCREASED TO 230.
  - ALL STORM SEWER OPENINGS WILL BE CENTERED ON FACE OF WALL THAT PIPE IS ENTERING.
  - FOR LOCATIONS AND ELEVATIONS FOR ALL STORM SEWER CONNECTIONS REFER TO PLAN SCHEDULES.
  - THE CONTRACTOR WILL BE REQUIRED TO PROVIDE SHOP DRAWINGS FOR PIPE OPENINGS FOR PIPES ENTERING AT OTHER THAN 90°. FOR BASIS OF PAYMENT REFER TO SPECIAL PROVISIONS.
  - ALL DIMENSIONS IN MILLIMETERS UNLESS OTHERWISE NOTED.
  - WHERE THE ADJACENT SHOULDER OR PAVEMENT THICKNESS EXCEEDS THAT OF THE NEW FRAME, THE CONTRACTOR SHALL INSTALL THE CATCH BASIN LID FLUSH OR LOWER THAN THE BOTTOM OF THE ADJACENT SHOULDER OR PAVEMENT AND ADJUST THE FRAME AND LID IN ACCORDANCE WITH APPLICABLE PORTIONS OF SECTION 503 OF THE STANDARD SPECIFICATIONS.
  - IN ADDITION TO THE REQUIREMENTS OF ARTICLE 602.15 OF THE STANDARD SPECIFICATIONS, THE CONTRACT UNIT PRICE FOR THE DRAINAGE STRUCTURE SHALL INCLUDE THE SAND CUSHION, ADJUSTING RINGS WHEN REQUIRED AND FURNISH AND COMPACTING THE SPECIFIED BACKFILL MATERIAL.

REVISIONS		ILLINOIS DEPARTMENT OF TRANSPORTATION F.A.I. ROUTE 80/94 (KINGERY EXPRESSWAY)
NAME	DATE	
ACE	02/04	<b>DRAINAGE STRUCTURES</b> <b>CATCH BASINS 2.4mx0.9m &amp; 2.4mx1.5m</b> <b>FOR DEPTHS WHERE H &gt; 2.4m</b> SHEET 1 OF 2
ACE	08/04	
		SCALE NONE DATE 09/03
		DRAWN BY ACE/CAD CHECKED BY