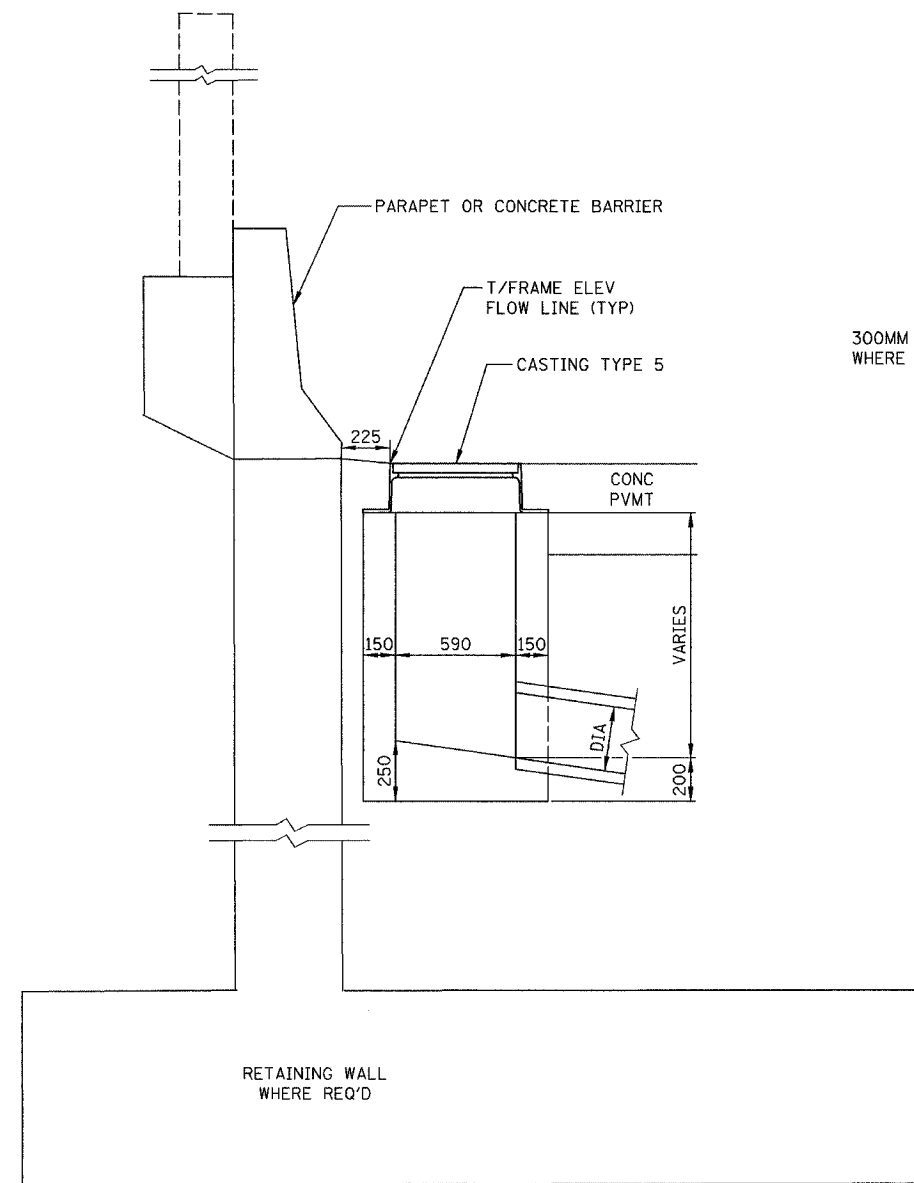
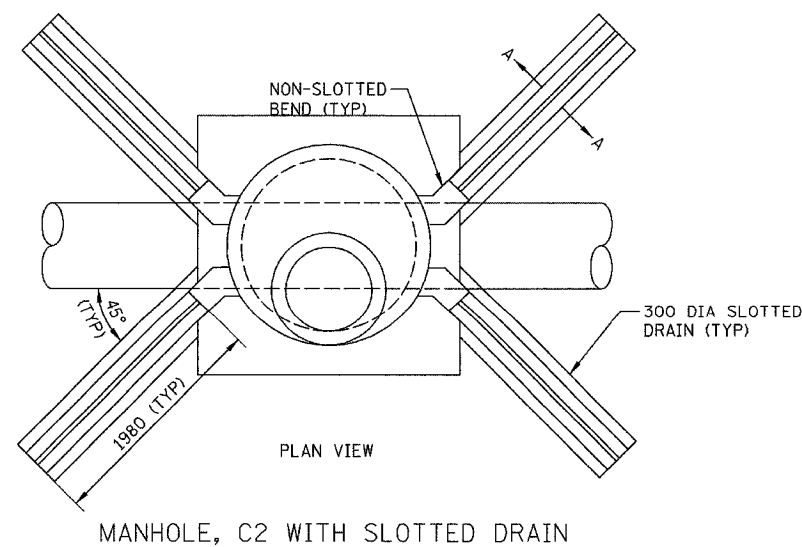


ALL DIMENSIONS IN METERS EXCEPT PAY ITEMS AND UNLESS NOTED OTHERWISE

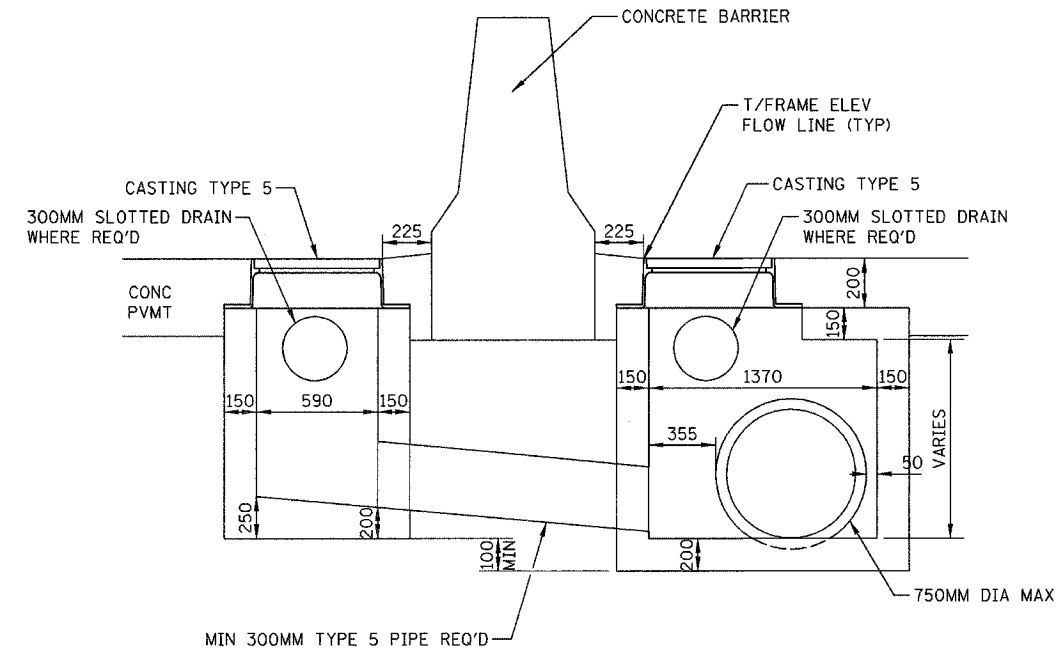
F.A.I. RTE.	SECTION	COUNTY	TOTAL SHEETS	SHEET NO.
80/94	2626.2-R-2	COOK/LAKE	1207	298
STA.		TO STA.		
FED. ROAD DIST. NO.		ILLINOIS FED. AID PROJECT		
CONTRACT NO. 62114		INDOT DES. NO. 0100987		



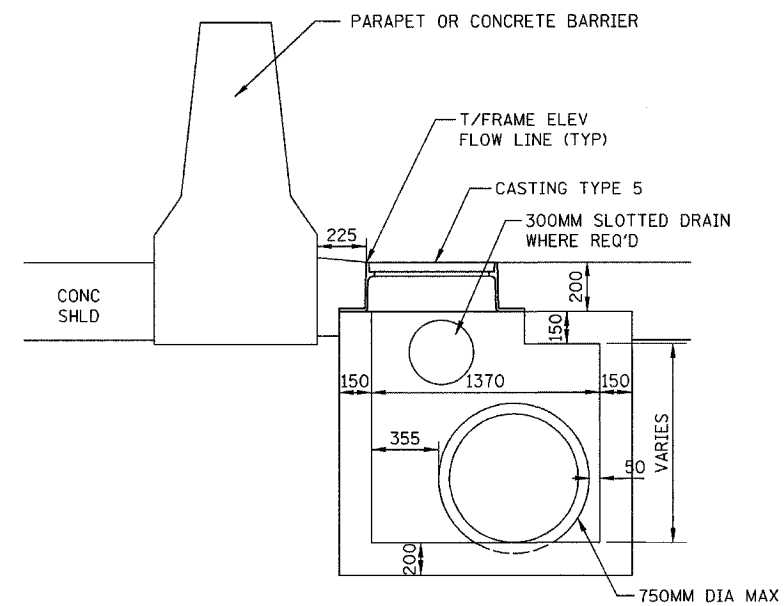
INLET TYPE "HA", MODIFIED



MANHOLE, C2 WITH SLOTTED DRAIN



INLET TYPE "H", SPECIAL



INLET TYPE "HA", SPECIAL

NOTES:

1. STATION AND OFFSET FOR INLET TYPE "H" IS TO THE CENTER OF THE BARRIER WALL.
2. STATION AND OFFSET FOR INLET TYPE "HA" IS TO THE CENTER OF THE DRAINAGE STRUCTURE.
3. SEE STANDARD DRAWING 720-INST-05B FOR SECTION A-A.
4. FOR DETAILS OF MANHOLE, C2 WITH SLOTTED DRAIN SEE STANDARD 720-MHST-02.

REVISIONS	
NAME	DATE

ILLINOIS DEPARTMENT OF TRANSPORTATION
I-80/94/US 6
KINGERY-BORMAN EXPRESSWAY
BURNHAM ROAD TO US 41

INDIANA DRAINAGE STRUCTURES

SCALE NTS
DATE 07/05

DRAWN BY ACE/CAD
CHECKED BY TAE

