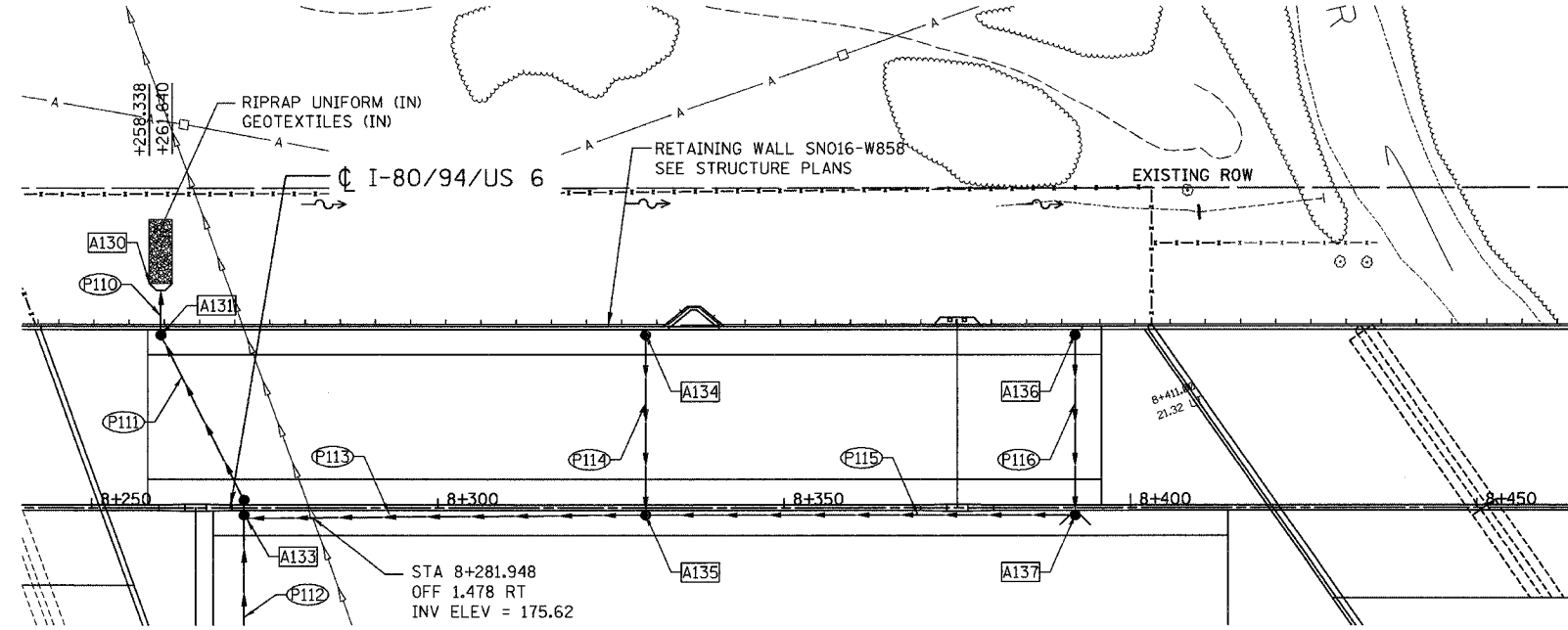
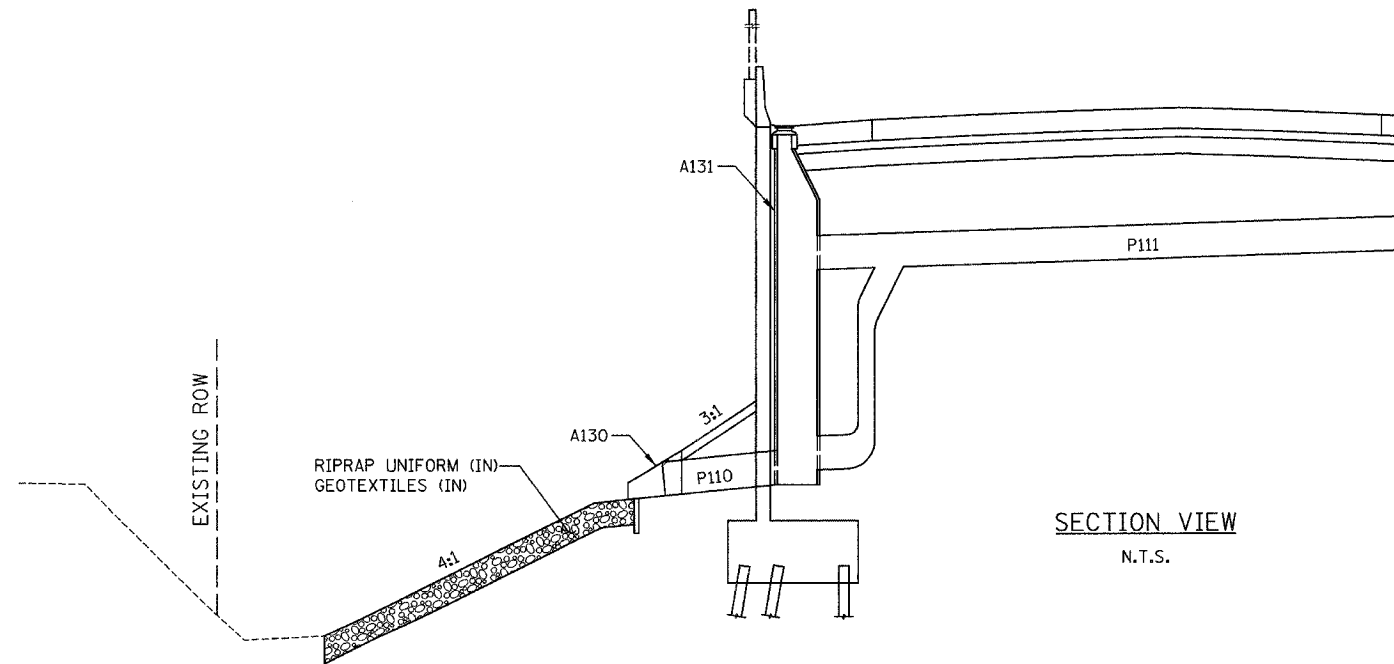


ALL DIMENSIONS IN METERS EXCEPT PAVEMENT ITEMS AND UNLESS NOTED OTHERWISE

F.A.I. RTE.	SECTION	COUNTY	TOTAL SHEETS	SHEET NO.
80/94	2626.2-R-2	COOK/LAKE	1207	299
STA.		TO STA.		
FED. ROAD DIST. NO.	ILLINOIS	FED. AID PROJECT		
CONTRACT NO. 62114	INDOT DES. NO. 0100987			



PLAN VIEW



SECTION VIEW

N.T.S.

ILLINOIS DEPARTMENT OF TRANSPORTATION
 I-80/94/US 6
 KINGERY-BORMAN EXPRESSWAY
 BURNHAM ROAD TO US 41

DRAINAGE OUTFALL DETAIL

SCALE 1:500
 DATE 07/05
 DRAWN BY ACE/CAD
 CHECKED BY TAE



REVISIONS	
NAME	DATE