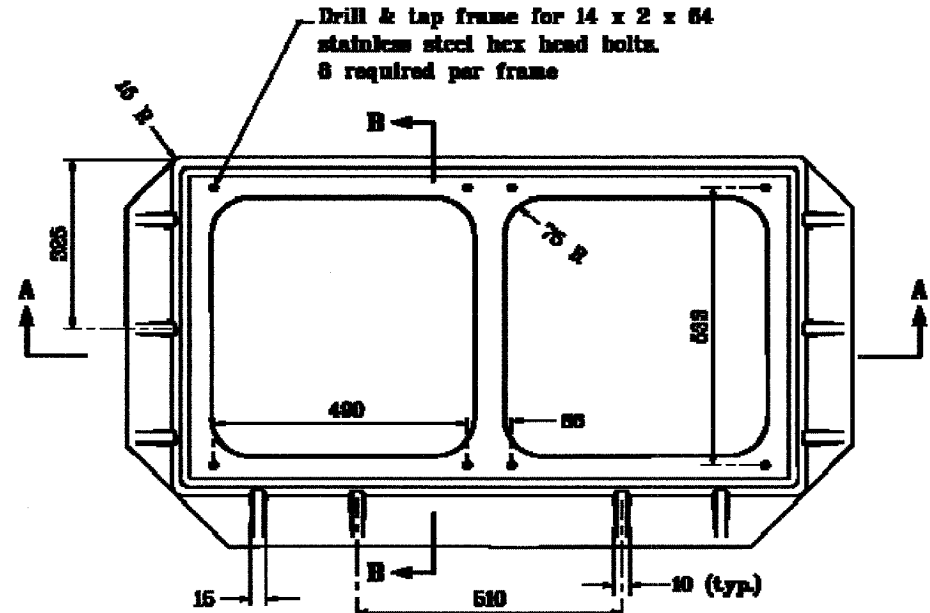
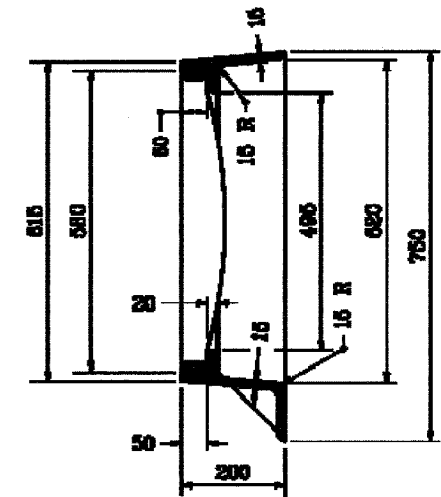


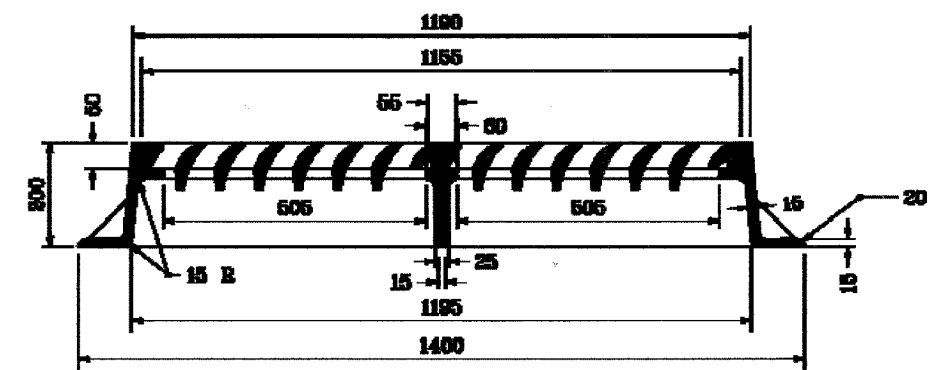
F.A.I. RTE.	SECTION	COUNTY	TOTAL SHEETS	SHEET NO.
80/94	2626.2-R-2	COOK/LAKE	1207	314
STA.		TO STA.		
FED. ROAD DIST. NO.		ILLINOIS FED. AID PROJECT		
CONTRACT NO. 62114		INDOT DES. NO. 0100987		



PLAN



SECTION B-B



SECTION A-A

All dimensions are in mm unless otherwise specified.

INDIANA DEPARTMENT OF TRANSPORTATION

CASTING TYPE 5

FRAME

SEPTEMBER 2001

STANDARD DRAWING NO. 720-ICCA-01

	/s/ Anthony L. Grunwald 9-01-01 DESIGN SURVEILLANCE ENGINEER
	/s/ Frank Smith 9-01-01 CHIEF SURVEILLANCE ENGINEER