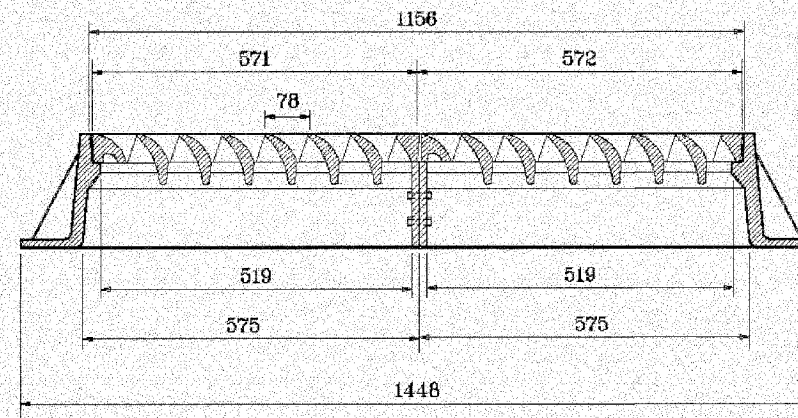
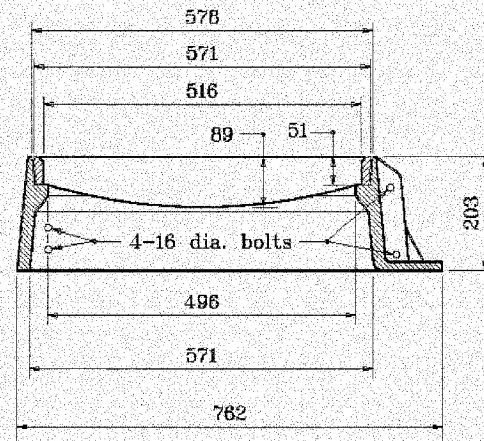
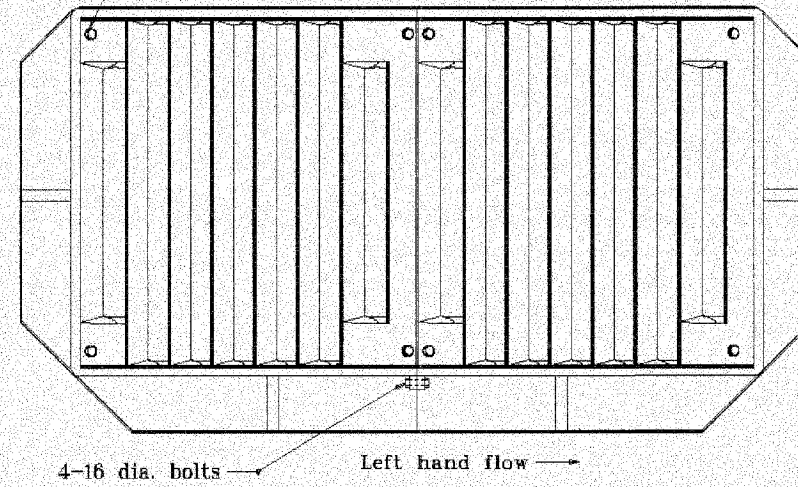


| | | | | |
|---------------------|------------------------|------------------|--------------|-----------|
| F.A.I. RTE. | SECTION | COUNTY | TOTAL SHEETS | SHEET NO. |
| 80/94 | 2626.2-R-2 | COOK/LAKE | 1207 | 314B |
| STA. | TO STA. | | | |
| FED. ROAD DIST. NO. | ILLINOIS | FED. AID PROJECT | | |
| CONTRACT NO. 62114 | INDOT DES. NO. 0100987 | | | |

Grate is bolted to frame with 14 hex head SS bolts. 4 req'd. each grate.

BARRIER SIDE



**FRAME AND GRATE
CASTING TYPE 5 (ALTERNATE)**

All dimensions are in mm unless otherwise specified.

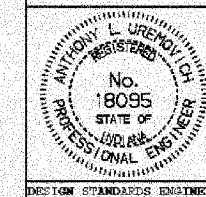
INDIANA DEPARTMENT OF TRANSPORTATION

CASTING TYPE 5 (ALTERNATE)

FRAME AND GRATE

SEPTEMBER 2001

STANDARD DRAWING NO. **720-ICCA-03**



/s/ Anthony L. Uremovich 9-01-01
DESIGN STANDARDS ENGINEER DATE

/s/ Pirooz Zandi 9-01-01
CHIEF HIGHWAY ENGINEER DATE