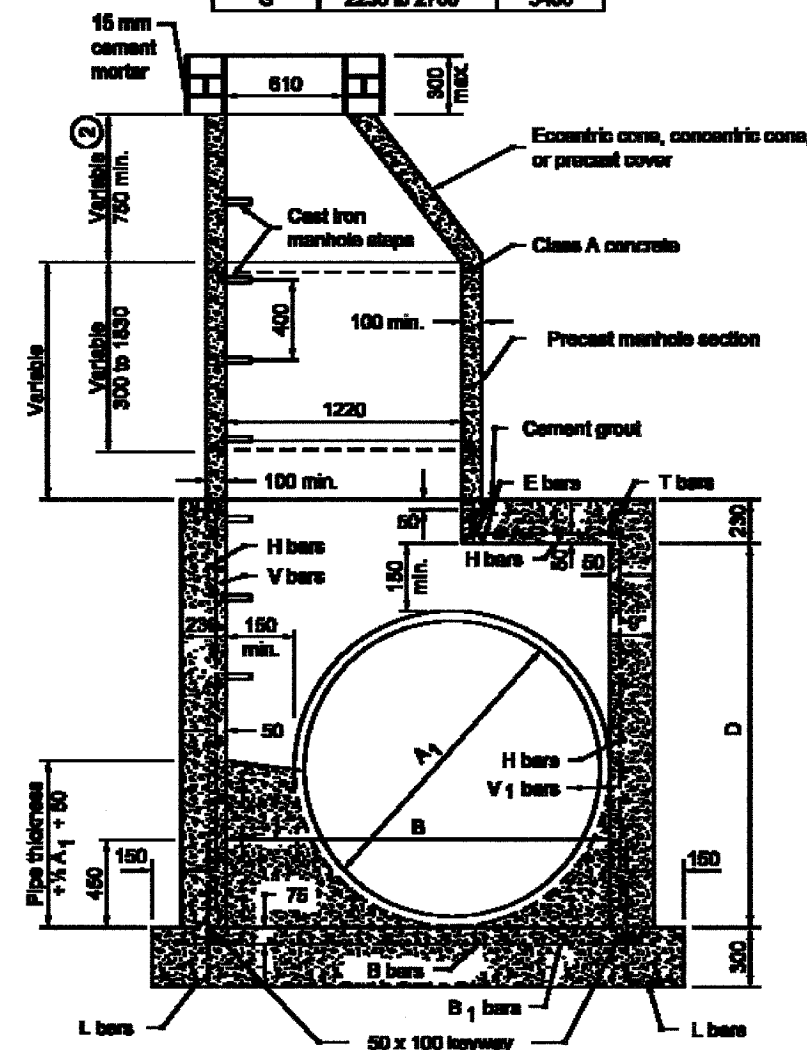


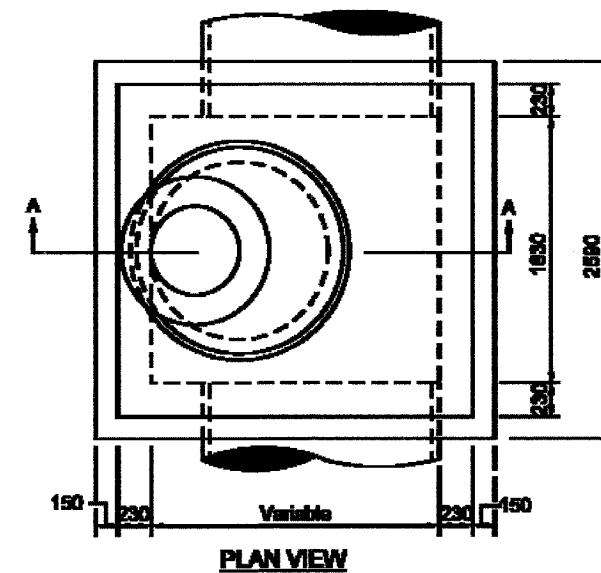
MANHOLE DIMENSIONS		
TYPE	A-1 PIPE SIZE DIA. (in)	B AND D
D	675 to 1050	1450
E	1200 to 1500	1980
F	1850 to 2100	2580
G	2250 to 2700	3400



SECTION A-A

NOTES

- Manhole type H, J, K, L, M, or N, may be substituted for manholes type C, D, E or F for comparable pipe sizes. See Standard Drawing 720-MHST-05 for manholes type H, J, K, L, M, and N details.
- For eccentric and concentric cone heights see Cone Heights Table on Standard Drawing E 720-MHST-08.
- See Standard Drawing E 720-MHST-10 for Reinforcing Steel for Manholes table.



PLAN VIEW

All Dimensions are in mm unless otherwise specified

INDIANA DEPARTMENT OF TRANSPORTATION

MANHOLES
TYPE D, E, F, AND G
SEPTEMBER 2003
STANDARD DRAWING NO. 720-MHST-04

	<i>Michael L. Voth</i> <small>REGISTERED PROFESSIONAL ENGINEER</small> DATE: _____
	<i>Robert L. Smith</i> <small>REGISTERED PROFESSIONAL ENGINEER</small> DATE: _____