

GENERAL NOTES

DESIGN: AASHTO Standard Specifications for Structural Supports for Highway Signs, Luminaires and Traffic Signals. ("AASHTO Specifications")

MEASUREMENTS: All dimensions are in millimeters (mm) except as noted.

CONSTRUCTION: Current (at time of letting) Illinois Department of Transportation Standard Specifications for Road and Bridge Construction, Supplemental Specifications and Special Provisions. ("Standard Specifications")

LOADING: 145 km/h WIND VELOCITY

WIND LOADING: 1.44 kPa normal to Sign Panel Area and truss elements not behind sign Loading Diagram.

DESIGN STRESSES:

FIELD UNITS
 $f'_c = 24 \text{ MPa}$
 $f_y = 400 \text{ MPa}$ (reinforcement)

WELDING: All welds to be continuous unless otherwise shown. All welding to be done in accordance with current AWS D1.1 and D1.2 Structural Welding Codes (Steel and Aluminum) and the Standard Specifications.

MATERIALS: Aluminum Alloys as shown throughout plans. All Structural Steel Pipe shall be ASTM A53 Grade B with a minimum yield of 241 MPa, or A500 Grade B or C with a minimum yield of 319 MPa. If A500 pipe is substituted for A53, then the outside diameter shall be as detailed and wall thickness greater than or equal to A53. All Structural Steel Plates and Shapes shall conform to AASHTO M270M Gr. 250, Gr. 345 or Gr. 345W*. Stainless steel for shims, sleeves and handhole covers shall be ASTM A240, Type 302 or 304, or another alloy suitable for exterior exposure and acceptable to the Engineer. The steel pipe and stiffening ribs at the base plate for the column shall have a minimum longitudinal Charpy V-Notch (CVN) energy of 20 J. at 4° C. (Zone 2) before galvanizing.

FASTENERS FOR ALUMINUM TRUSSES: All bolts noted as "high strength" (HS) must satisfy the requirements of AASHTO M164 (ASTM A325), or approved alternate, and must have matching lock nuts. Threaded studs for splices (if members interfere) must satisfy the requirements of ASTM A449, ASTM A193M, Grade B7, or approved alternate, and must have matching lock nuts. Bolts and lock nuts not required to be high strength must satisfy the requirements of ASTM A307. All bolts and lock nuts must be hot dip galvanized per AASHTO M232. The lock nuts must have nylon or steel inserts. A stainless steel flat washer conforming to ASTM A240, Type 302 or 304, is required under both head and nut or under both nuts where threaded studs are used. High strength bolt installation shall conform to Article 505.04(f) of the IDOT Standard Specifications for Road and Bridge Construction. Rotational capacity ("ROCAP") testing of bolts will not be required.

U-BOLTS AND EYEBOLTS: U-Bolts and Eyebolts must be produced from ASTM A276 Type 304, 304L, 316 or 316L, condition A, cold finished stainless steel, or an equivalent material acceptable to the Engineer. All nuts for U-Bolts and Eyebolts must be lock nuts equivalent to ASTM A307 with nylon or steel inserts, and hot dip galvanized per AASHTO M232. A stainless steel flat washer conforming to ASTM A240, Type 302 or 304, is required under each U-Bolt and Eyebolt lock nut.

GALVANIZING: All Steel Grating, Plates, Shapes and Pipe shall be Hot Dip Galvanized after fabrication in accordance with AASHTO M111. Painting is not permitted.

STEEL PIPE: DN indicates nominal diameter.

ANCHOR RODS: Shall conform to AASHTO M314 Gr. 250 or 380 (36 or 55) with a minimum Charpy V-Notch (CVN) energy of 20 J at 5° C.

CONCRETE SURFACES: All concrete surfaces above an elevation 150 mm below the lowest final ground line at each foundation shall be cleaned and coated with Bridge Seat Sealer in accordance with the Standard Specifications.

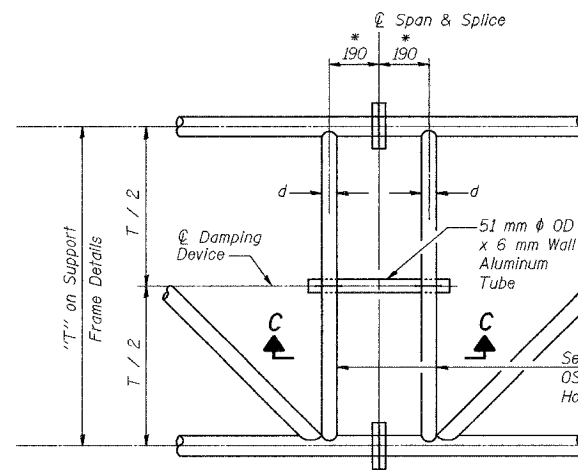
REINFORCEMENT BARS: Reinforcement Bars designated (E) shall be epoxy coated in accordance with the Standard Specifications.

*If M270M Gr. 345W steel is proposed, chemistry for plate to be used shall first be approved by the Engineer as suitable for galvanizing and welding.

DESIGNED	BPS
CHECKED	KFA
DRAWN	MJB
CHECKED	GSP

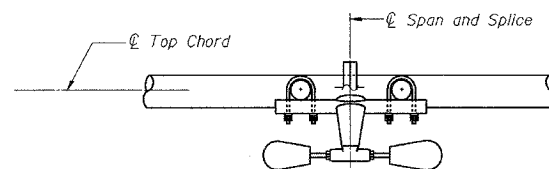
* Center of horizontal to center of splice dimension may vary. Verify before drilling holes in mounting tube.

ROUTE NO.	SECTION	COUNTY	SHEET	TOTAL SHEETS
P.A.L.	20242-2	LAKE COUNTY, INDIANA	1207	401
CONTRACT NO. 62114		INDOT DES. NO. 0100987		

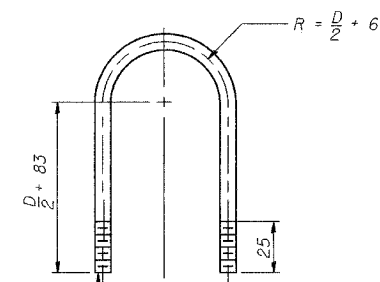


PLAN DETAIL "C"

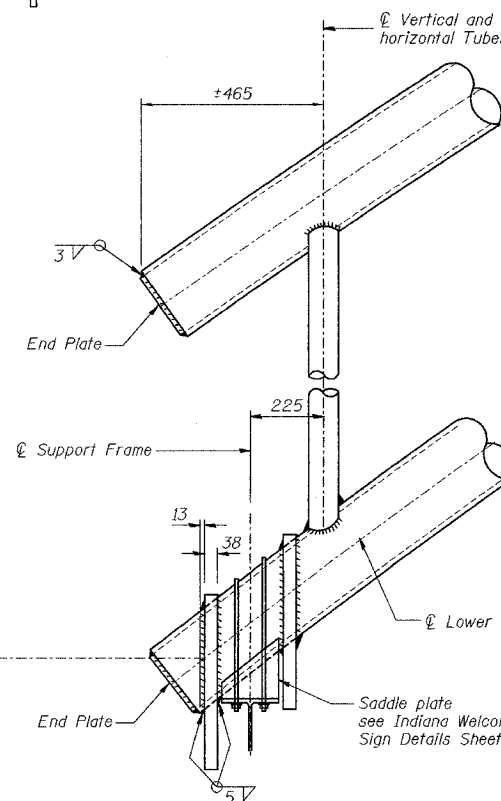
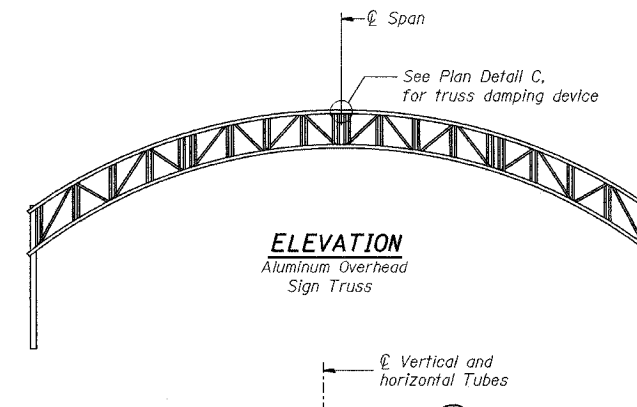
Span at Chord Splice



SECTION C-C



TOP CHORD TO CROSS TUBE U-BOLT DETAIL



SUPPORT END DETAIL FOR EXTERIOR UNIT

13 mm φ drain hole in end plate/drive-fit cap. (Typ at ends of all chords)

NOTES

Damper: One damper per truss. (14 Kg Stockbridge-Type Aluminum) Cost included in "Overhead Sign Structure..."

Materials: Aluminum tubes shall be ASTM B221M alloy 6061 Temper T6. Cost included in "Overhead Sign Structure..."

All dimensions are in millimeters (mm) except as noted

ILLINOIS DEPARTMENT OF TRANSPORTATION
 I-80/94/US 6
 KINCERY-BORMAN EXPRESSWAY
 BURNHAM ROAD TO US 41

INDIANA WELCOME SIGN DETAILS
 SHEET 3 OF 5

SCALE NTS DATE 07/05 DRAWN BY ACE/CAD CHECKED BY

AMERICAN
 CONSULTING ENGINEERS