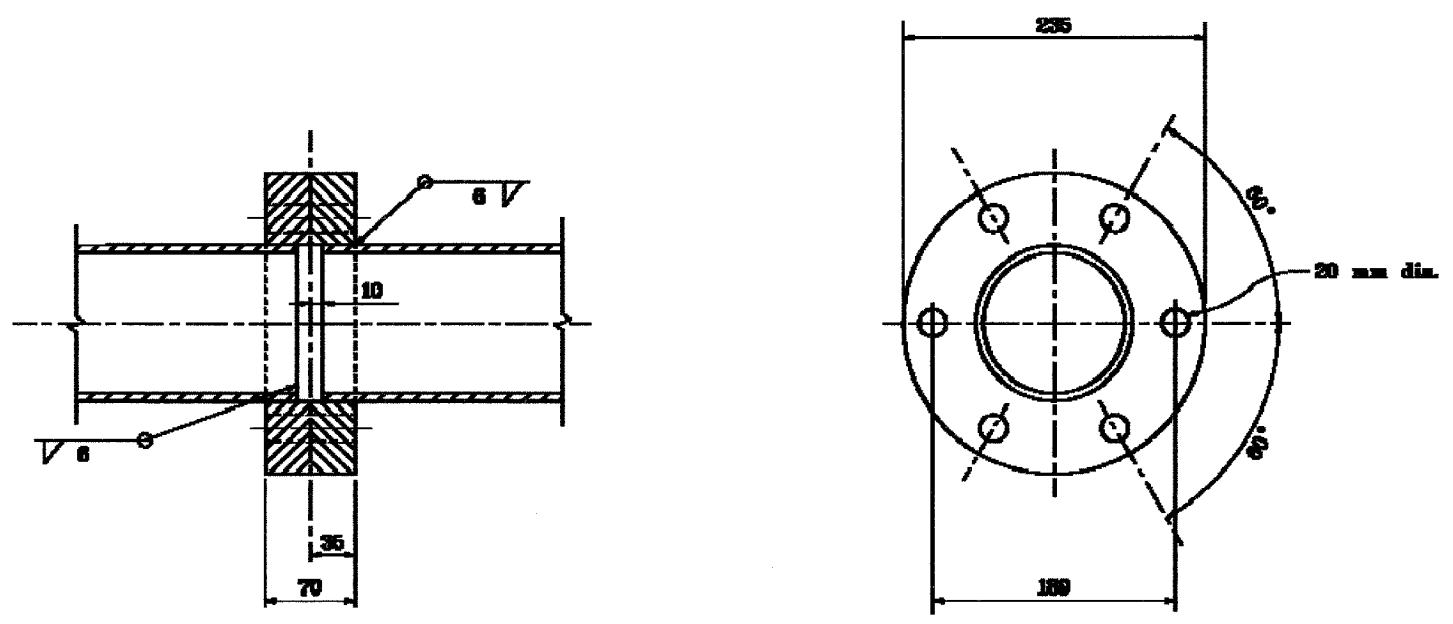


F.A.I. RTE.	SECTION	COUNTY	TOTAL SHEETS	SHEET NO.
80/94	2626.2-R-2	COOK/LAKE	1207	424
STA.	TO STA.			
FED. ROAD DIST. NO.	ILLINOIS	FED. AID PROJECT		
CONTRACT NO. 62114	INDOT DES. NO. 0100987			

GENERAL NOTES

1. Flanges shall be given additional finish if necessary to ensure contact between plates.



SPLICE DETAIL

All dimensions are in mm unless otherwise specified.

INDIANA DEPARTMENT OF TRANSPORTATION
**ALUMINUM STRUCTURE
 SPLICE DETAIL**
 SEPTEMBER 2001
 STANDARD DRAWING NO. 602-SNOH-11

	<i>/s/ Anthony L. Grunwald</i> 9-01-07 <small>REGISTERED PROFESSIONAL ENGINEER</small>
	<i>/s/ Ferns Bault</i> 9-01-07 <small>REGISTERED PROFESSIONAL ENGINEER</small>