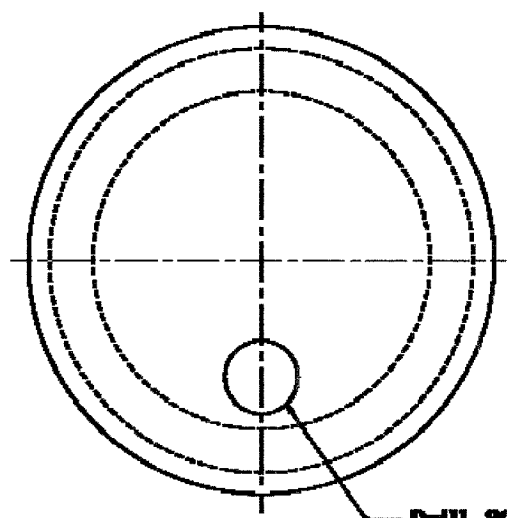
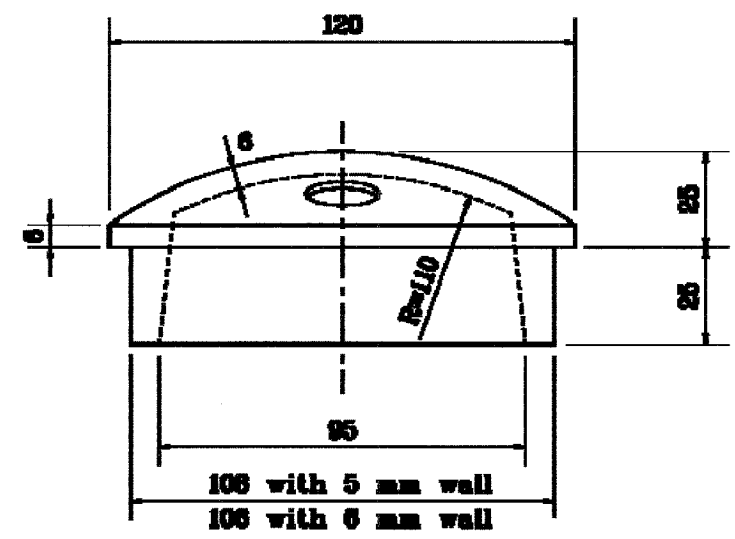


F.A.I. RTE.	SECTION	COUNTY	TOTAL SHEETS	SHEET NO.
80/94	2626.2-R-2	COOK/LAKE	1207	425
STA.		TO STA.		
FED. ROAD DIST. NO.	ILLINOIS	FED. AID PROJECT		
CONTRACT NO. 62114		INDOT DES. NO. 0100987		

GENERAL NOTES
 1. Sand-cast aluminum alloy.



END CAP FOR 120 O.D. TUBE

All dimensions are in mm unless otherwise specified.

INDIANA DEPARTMENT OF TRANSPORTATION

END CAP

SEPTEMBER 2001

STANDARD DRAWING NO. 802-SNOH-12

	/s/ Anthony L. Brumack 9-01-01 REGISTERED PROFESSIONAL ENGINEER
	/s/ Ferns Smith 9-01-01 CHECKED MECHANICAL ENGINEER