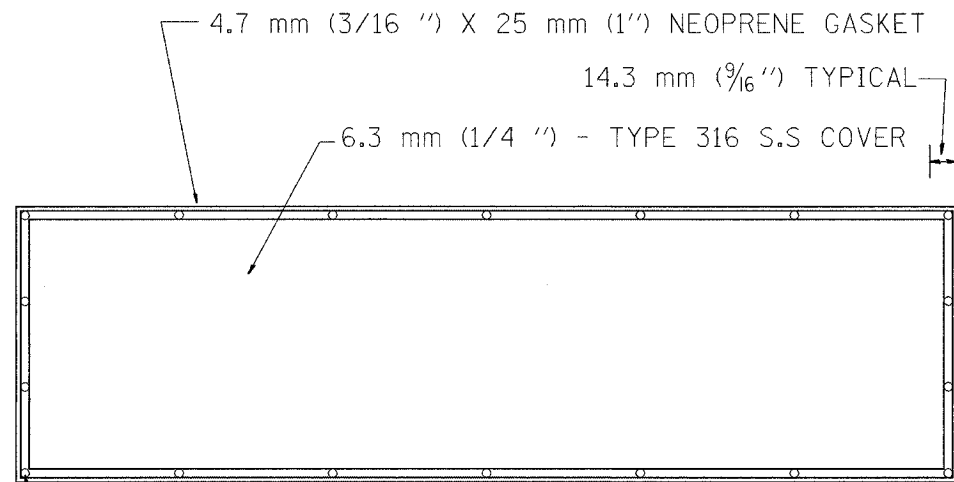


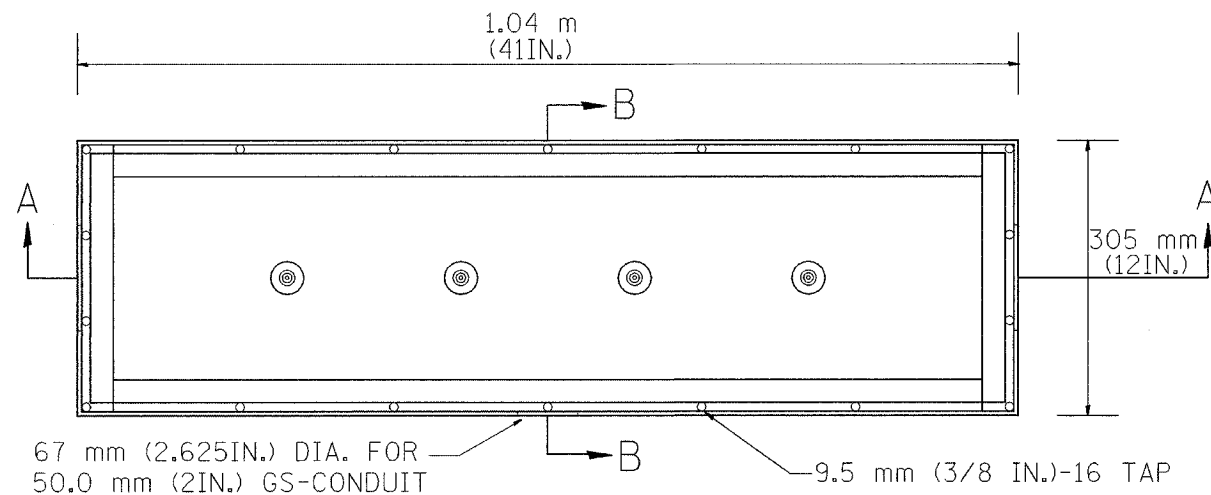
F.A.I. RTE.	SECTION	COUNTY	TOTAL SHEETS	SHEET NO.
80/94	2626.2-R-2	COOK	1207	488A
STA.		TO STA.		
FED. ROAD DIST. NO.		ILLINOIS FED. AID PROJECT		
CONTRACT #62114 INDOT DES. NO. 0100987				



DRILL AND COUNTERSINK TOP OF COVER FOR
9.5 mm (3/8 inch) 16 X 19 mm (3/4 inch)
FLAT HEAD STAINLESS STEEL SLOTTED SCREWS

BACK VIEW

STAINLESS STEEL COVER WITH NEOPRENE GASKET



67 mm (2.625 IN.) DIA. FOR
50.0 mm (2 IN.) GS-CONDUIT

9.5 mm (3/8 IN.)-16 TAP

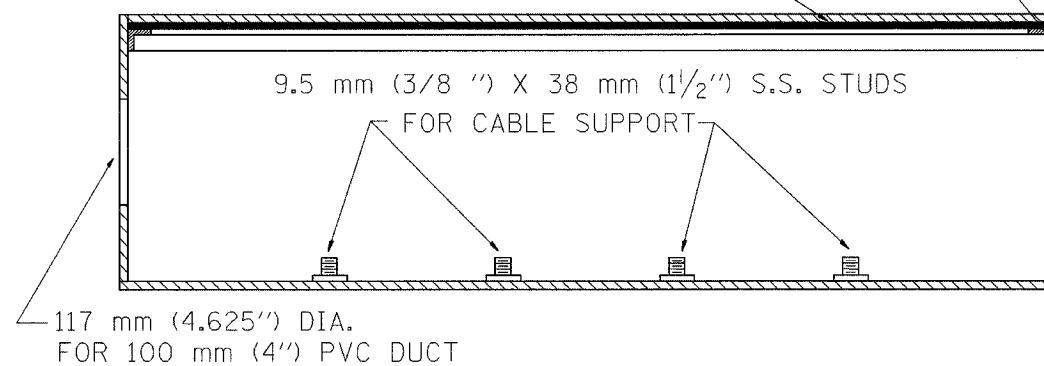
TOP VIEW

STAINLESS STEEL JUNCTION BOX TYPE "J"



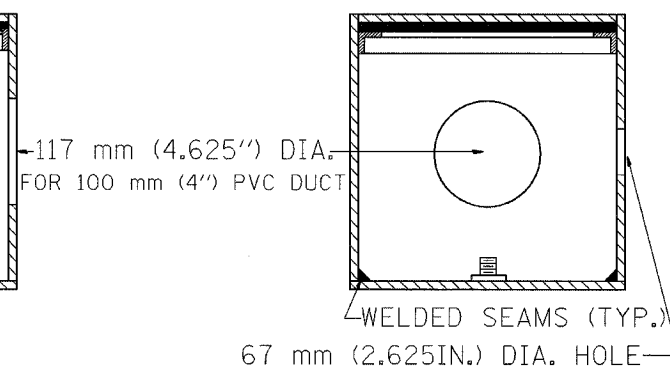
SIDE VIEW
STAINLESS STEEL COVER

25 mm (1 inch) X 25 mm (1 inch) X 63 mm (1/4 inch) S.S. ANGLE
CONTINUOUSLY WELDED AND LEAKPROOF
NEOPRENE GASKET



SIDE VIEW SECTION A-A

305 mm
(12 IN.)



SIDE VIEW SECTION B-B

NOTE:
JUNCTION BOX TO BE CONSTRUCTED OF
6.3 mm (1/4 IN.) TYPE 316 STAINLESS STEEL
ALL WELDS SHALL BE CONTINUOUS AND LEAKPROOF
ALL COVERS SHALL BE UNIVERSAL IN FIT.

BARRIER WALL SHALL BE GAPPED A MINIMUM OF 4.57 m (15ft+) FOR PROPER PLACEMENT OF JUNCTION BOX TYPE "J" AND FOR A SMOOTH TRANSITION OF 100 mm (4IN.) PVC SURVEILLANCE DUCT(S) FROM BARRIER WALL FOOTER INTO JUNCTION BOX.

REVISIONS		ILLINOIS DEPARTMENT OF TRANSPORTATION TRAFFIC SYSTEMS CENTER CONCRETE BARRIER WALL JUNCTION BOX TYPE "J"
NAME	DATE	
R.L.	6/94	SCALE: NONE DATE 6-22-94 DRAWN BY G.M. CHECKED BY R.L.
T.C.	10/96	

SHEET 16A OF 16

RD-TYPMET.DGN
RF=

VI=6631

V:\ROAD\BARRIERS\TY-1TSC-663.dgn 09/14/2006 09:44:03 AM