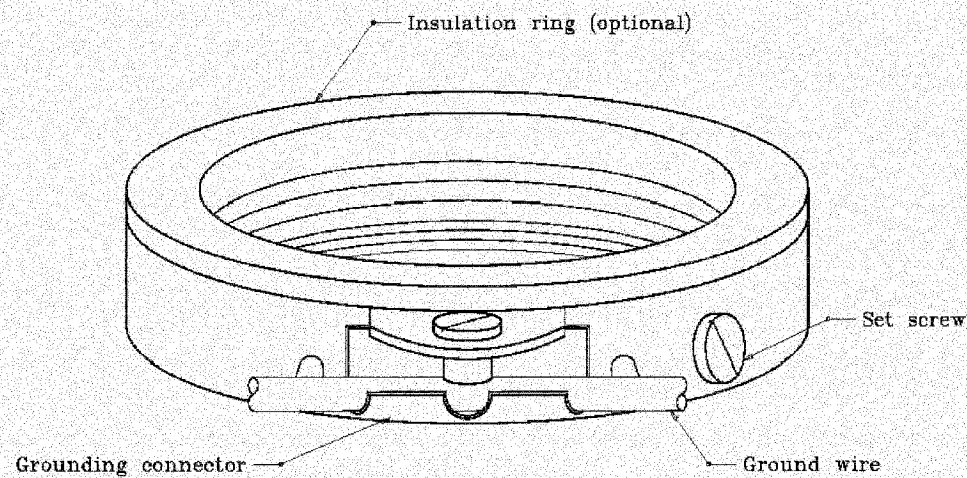


F.A.I. RTE.	SECTION	COUNTY	TOTAL SHEETS	SHEET NO.
80/94	2626.2-R-2	COOK/LAKE	1207	501C
STA.		TO STA.		
FED. ROAD DIST. NO.	ILLINOIS	FED. AID PROJECT		
CONTRACT NO. 62114		INDOT DES. NO. 0100987		



All dimensions are in mm unless otherwise specified.

INDIANA DEPARTMENT OF TRANSPORTATION	
THREADED GROUNDING BUSHING	
SEPTEMBER 1998	
STANDARD DRAWING NO. 805-SGGR-02	
	/s/ Anthony L. Uremovich 9-01-98 DESIGN STANDARDS ENGINEER DATE
	/s/ Donald W. Lucas 5-01-98 CHIEF HIGHWAY ENGINEER DATE

Source Sheet: NONE