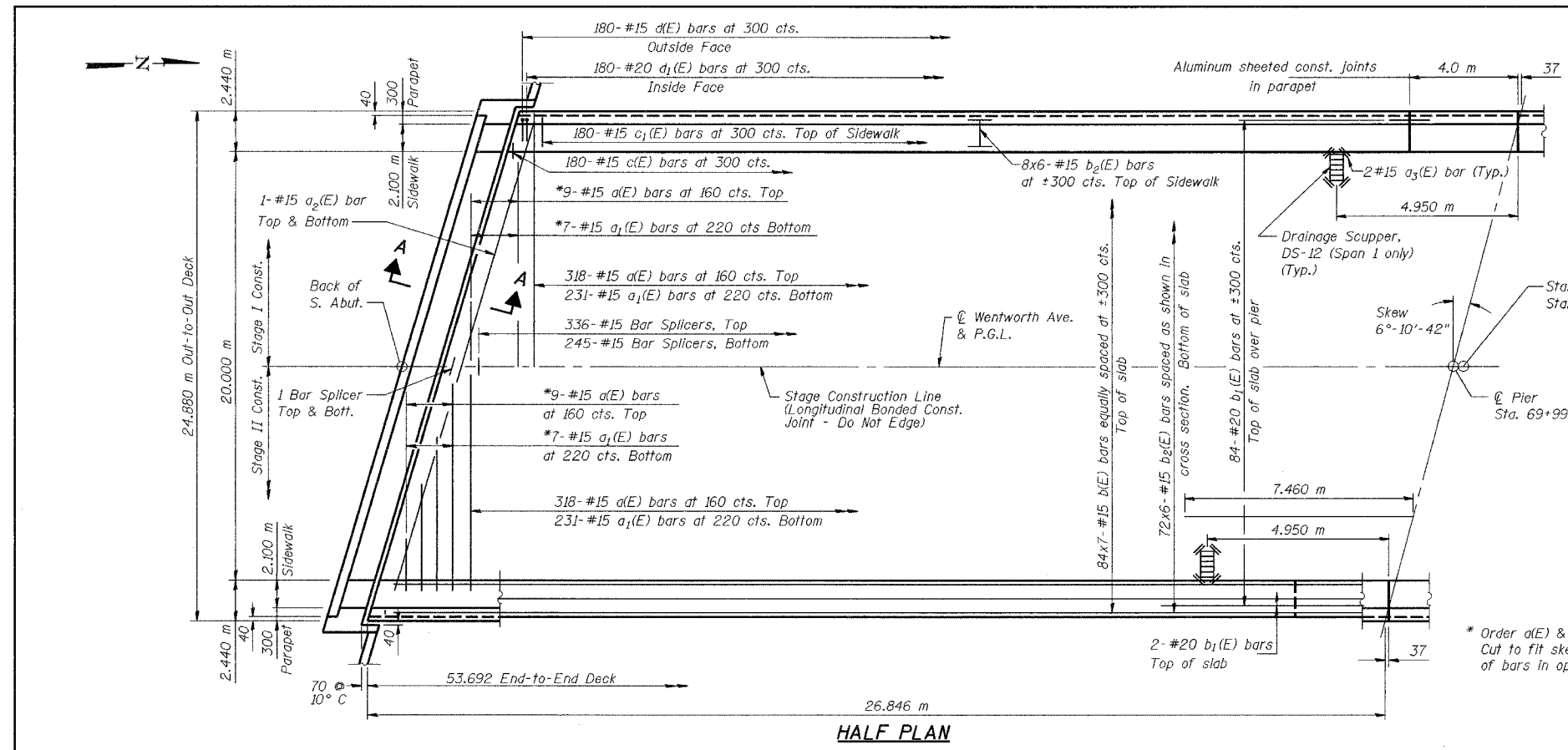
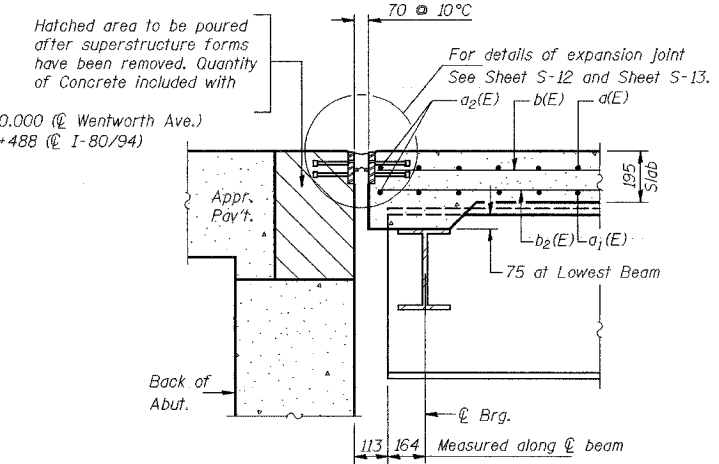


ROUTE NO.	SECTION	COUNTY	DATE	SHEET
80/94	2626.1B	COOK	1207	553
SHEET NO. S-9				
35 SHEETS				
CONTRACT No. 62114				

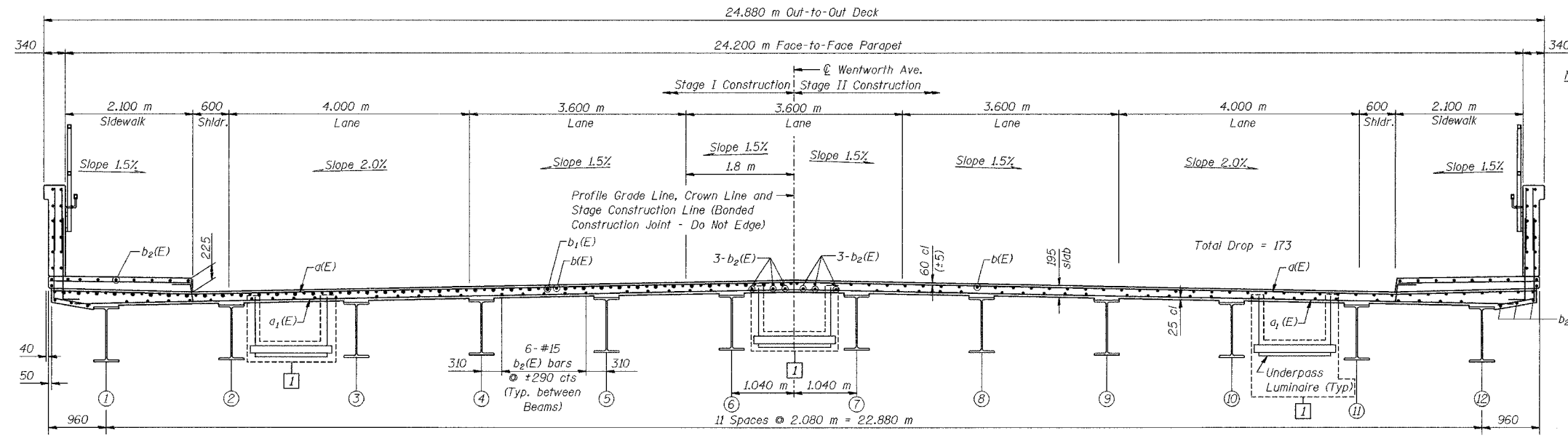


HALF PLAN



SECTION A-A

* Order a(E) & a1(E) bars full length. Cut to fit skew and use remainder of bars in opposite end.



CROSS SECTION
(Looking North)

NOTES: See Sheet S-10 for superstructure details and Bill of Material. Reinforcement bars designated (E) shall be epoxy coated. Bars indicated thus 20 x 3-#15 etc. indicates 20 lines of bars with 3 lengths per line. See Sheet S-10 for parapet reinforcement. All dimensions are in millimeters (mm) except as noted. Cut Longitudinal Reinforcement in order to clear Drainage Scuppers.

See Electrical Drawings for location of luminaires, junction boxes and conduit, hanger assembly details, and quantities.

MINIMUM BAR LAPS

- #15 bars = 640
- #20 bars = 790

DESIGNED	BPS
CHECKED	JDG
DRAWN	MJB
CHECKED	JDG

1 REVISED 03-29-04 KFA

ILLINOIS DEPARTMENT OF TRANSPORTATION
 F.A.I. ROUTE 80/94 (KINGERY EXPRESSWAY)
 UNDER WENTWORTH AVE
DECK PLAN AND CROSS SECTION
SECTION 2626.1B
COOK COUNTY
STATION 7+579.488
STRUCTURE NO. 016-2790
 DATE 07/05
AMERICAN
 CONSULTING ENGINEERS

FOR INFORMATION ONLY