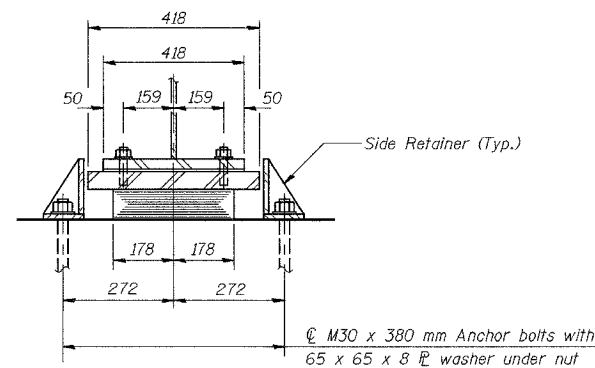
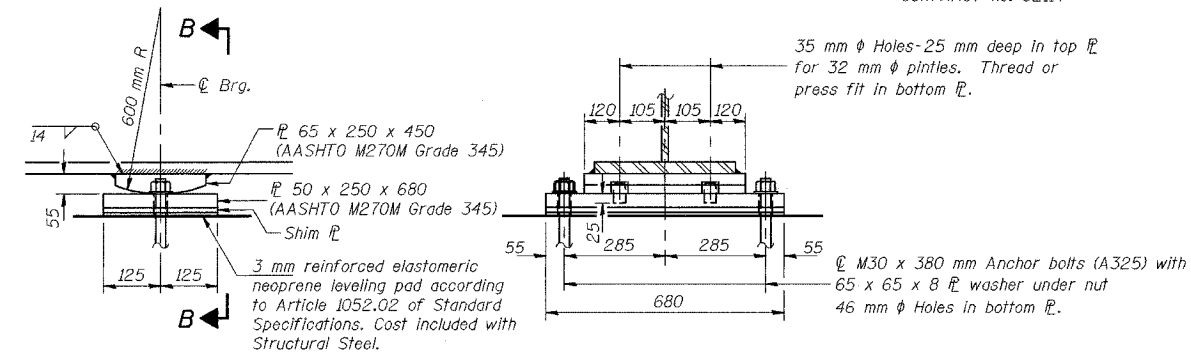


ELEVATION AT ABUT.



SECTION A-A

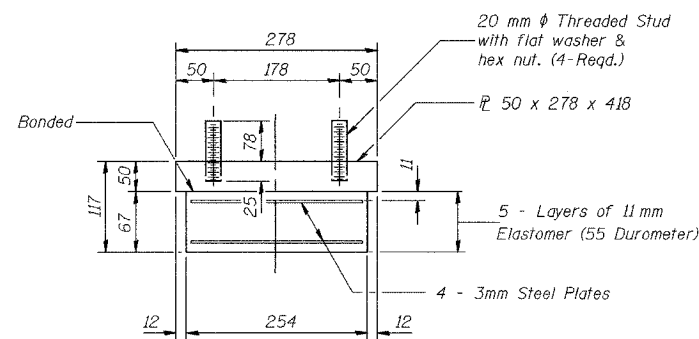


ELEVATION AT PIER

FIXED BEARING

SECTION B-B

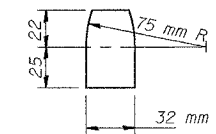
TYPE I ELASTOMERIC EXP. BRG.



BEARING ASSEMBLY

Note: Shim plates shall not be placed under Bearing Assembly.

Notes: Anchor bolts at fixed bearings may be built into the masonry.
See Sheet S-19 for Anchor Bolt installation.
All dimensions are in millimeters (mm) except as noted.

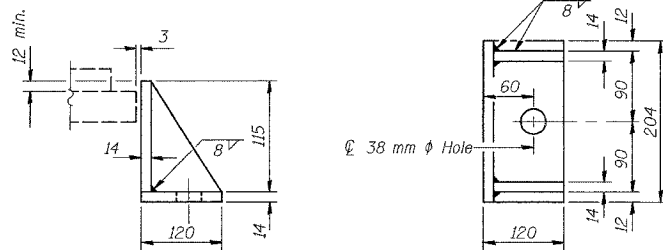


PINTLE

REQUIRED SHIM PLATE TABLE

| Beam | Location | Size (mm) | Thickness (mm) |
|------|-------------|-----------|----------------|
| 2 | Pier | 250 x 680 | 3 |
| 7 | Pier | 250 x 680 | 3 |
| 12 | Pier | 250 x 680 | 3 |
| 2 | N. Abutment | 254 x 356 | 6 |
| 7 | N. Abutment | 254 x 356 | 6 |
| 12 | N. Abutment | 254 x 356 | 6 |

Shim plates indicated in the table are required independent of the shim plate set supplied with the bearing assembly per the Standard Specifications. Cost of the bearing shim plates indicated included with "Furnishing and Erecting Structural Steel."



SIDE RETAINER

Equivalent rolled angle with stiffeners will be allowed in lieu of welded plates. Weight included with Structural Steel.

| | |
|----------|-----|
| DESIGNED | BPS |
| CHECKED | JDG |
| DRAWN | MJB |
| CHECKED | JDG |

BILL OF MATERIAL

| Item | Unit | Total |
|-------------------------------------|------|-------|
| Elastomeric Bearing Assembly Type I | Each | 24 |

ILLINOIS DEPARTMENT OF TRANSPORTATION
F.A.I. ROUTE 80/94 (KINGERY EXPRESSWAY)
UNDER WENTWORTH AVE
BEARING DETAILS
SECTION 2626.1B
COOK COUNTY
STATION 7 + 579.488
STRUCTURE NO. 016-2790
DATE 07/05



FOR INFORMATION ONLY