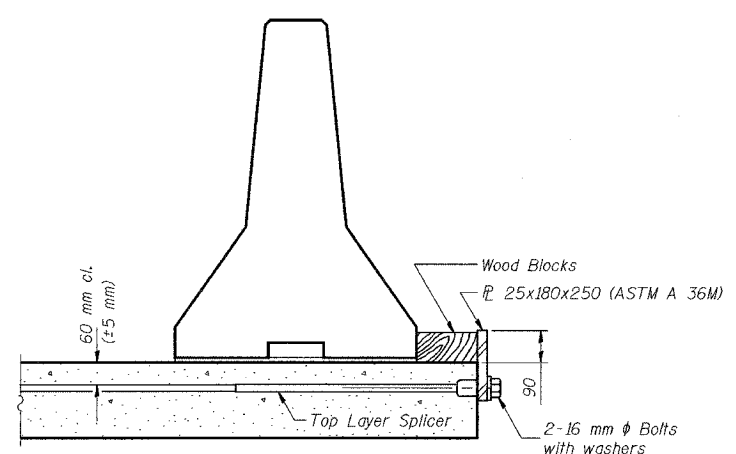
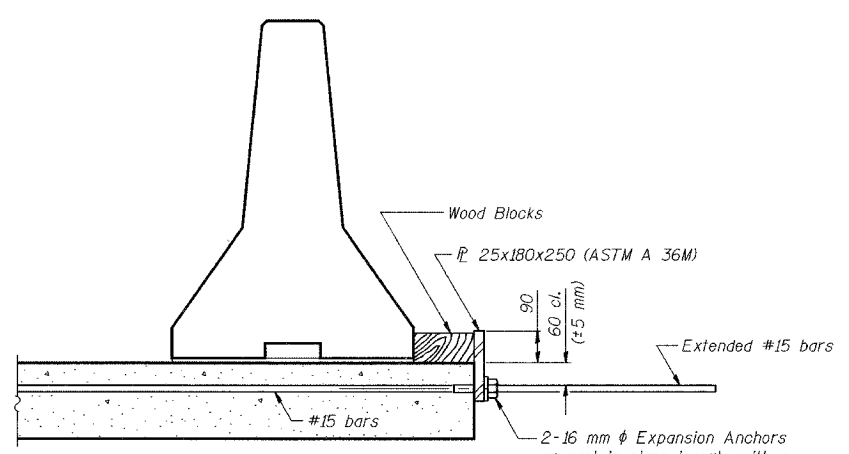


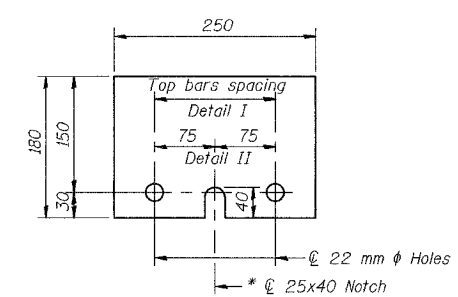
**SECTIONS THRU SLAB**



**DETAIL I**  
The 25x180x250 Plate shall not be removed until Stage II Construction forms and reinforcement bars are in place.



**DETAIL II**  
The 25x180x250 Plate shall not be removed until Stage II Construction forms and all reinforcement bars are in place and the concrete is ready to be placed.



**25x180x250**  
\* Required only with Detail II

DESIGNED	BHS
CHECKED	KFA
DRAWN	MJB
CHECKED	GSP

R-27 (M) 9-01-03

ILLINOIS DEPARTMENT OF TRANSPORTATION  
F.A.L. ROUTE 80/94 (BORMAN EXPRESSWAY)  
OVER HARRISON AVENUE  
**TEMPORARY CONCRETE BARRIER  
FOR STAGE CONSTRUCTION**  
SECTION 2626.2-R-2  
LAKE COUNTY, INDIANA  
STATION 8+754.874  
STRUCTURE NO. I-80-1-8461 (EB & WB)  
DATE 09/05 (016-1005 & 016-1006)

**AMERICAN**  
CONSULTING ENGINEERS