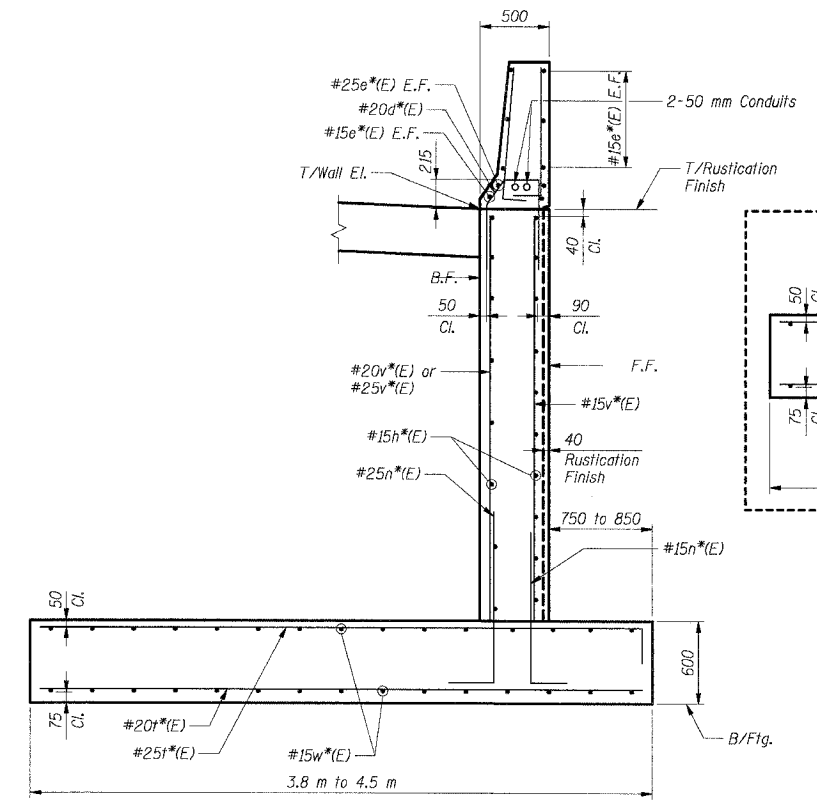
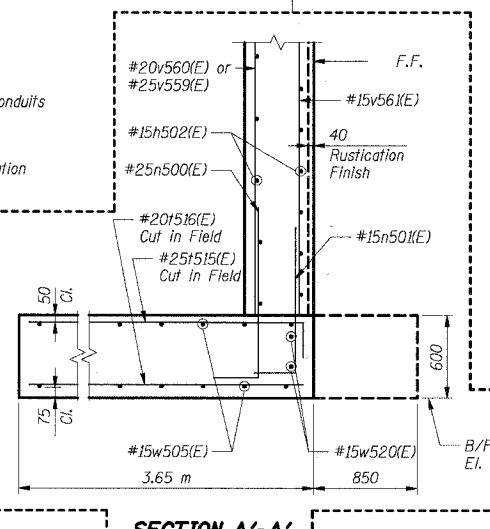


F.A.I. RTE.	SECTION	COUNTY	TOTAL SHEETS	SHEET NO.
80/94	2626.2-R-2	COOK	1207	744
STA.	TO STA.			
FED. ROAD DIST. NO.	ILLINOIS	FED. AID PROJECT		
CONTRACT NO. 62114				

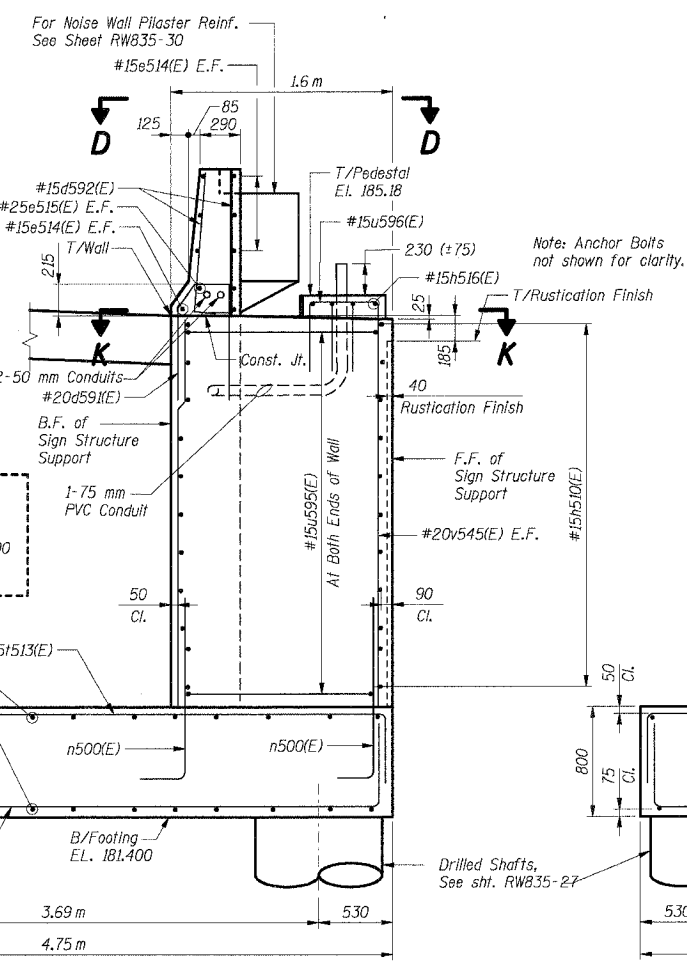
7-1-2005, 13:53:26
 T:\DOCUMENTS\193195\STRUCTURE\DWG\RW835-26.DWG
 2, 3, 4, 5, 6, 7, 8, 9, 10, 11, 12, 13, 14, 15, 16, 17, 18, 19, 20, 21, 22, 23, 24, 25, 26, 27, 28, 29, 30, 31, 32, 33, 34, 35, 36, 37, 38, 39, 40, 41, 42, 43, 44, 45, 46, 47, 48, 49, 50, 51, 52, 53, 54, 55, 56, 57, 58, 59, 60, 61, 62, 63
 BALZFKKJ



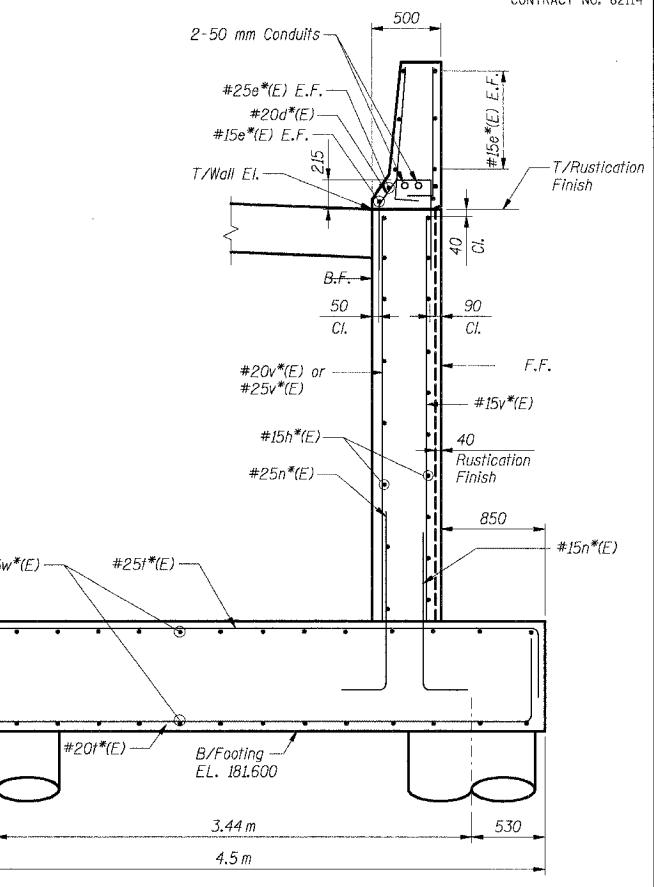
SECTION A-A



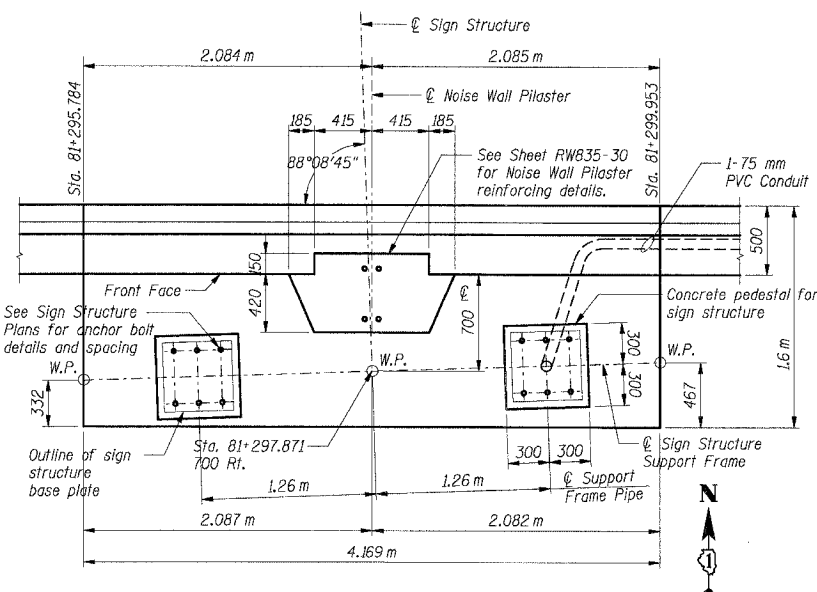
SECTION A'-A'



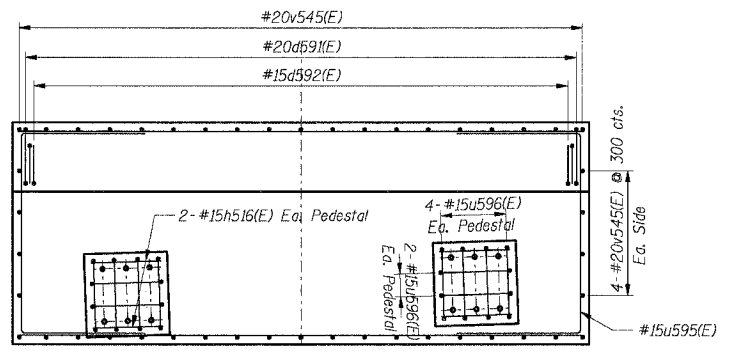
SECTION C-C



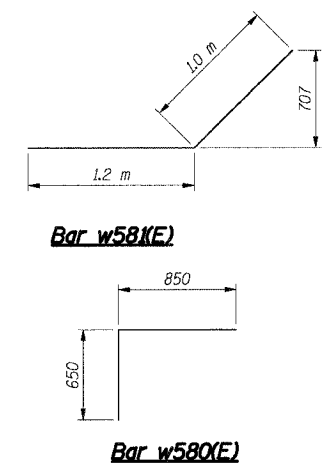
SECTION H-H



TOP VIEW D-D AT SIGN STRUCTURE

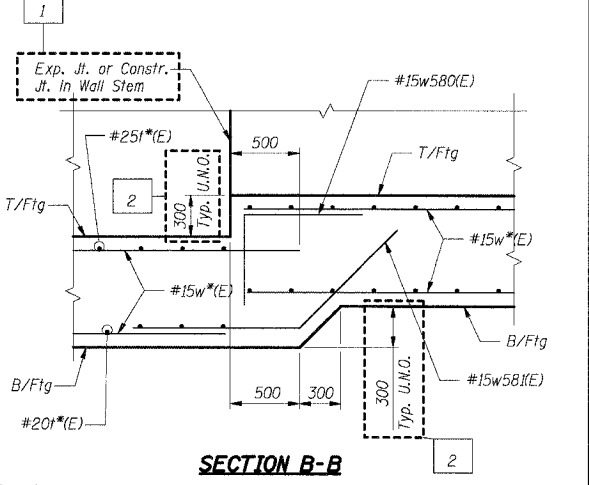


SECTION K-K



Bar w58(E)

Bar w580(E)



SECTION B-B

- Notes:**
- All dimensions are in millimeters (mm) except as noted.
 - Reinforcement bars designated (E) shall be epoxy coated.
 - All edges shall have a 20 mm chamfer unless noted otherwise.
 - E.F. indicates each face.
 - B.F. indicates back face.
 - F.F. indicates front face.
 - See sheet RW835-30 for Noise Abatement Wall Pilaster details.
 - For Traffic Barrier details see Sht. RW835-30.
 - For Rustication Finish & joint details see Sht. RW835-32.
 - Work this Sheet with Sht. RW835-27.
 - *Indicates for location of bars, identification and quantity, see Footing Plans & Wall Elevations, RW835-5 thru RW835-25.
 - See Sign Structure Plans for Sign Structure details and Anchor Bolt details.

THIS SHEET FOR INFORMATION ONLY

SHT. RW835-26 OF 34

REVISIONS	
NAME	DATE
MJK	6/21/04
PA	8/3/04

ILLINOIS DEPARTMENT OF TRANSPORTATION
 F.A.I. ROUTE 80/94 (KINGERY EXPRESSWAY)
 IL ROUTE 83 RECONSTRUCTION
 RETAINING WALL - STRUCTURE NO. 016-W835
 SECTION 2425 R-3 & 2425-711B
 COOK COUNTY

WALL SECTIONS & DETAILS

DATE: 02/20/2004

DRAWN BY: SC
 CHECKED BY: MJK

TENG
 ENGINEERS/ARCHITECTS/PLANNERS
 CHICAGO, ILLINOIS