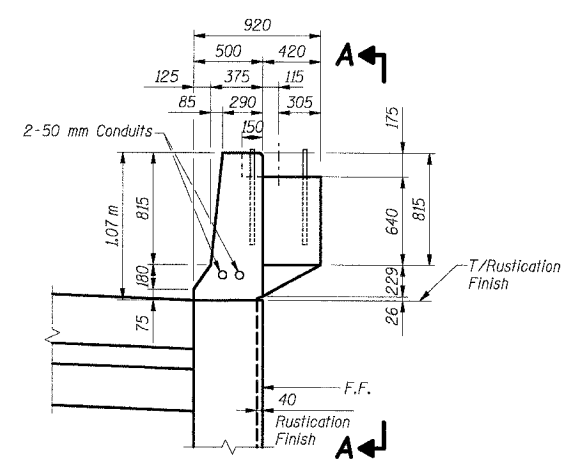
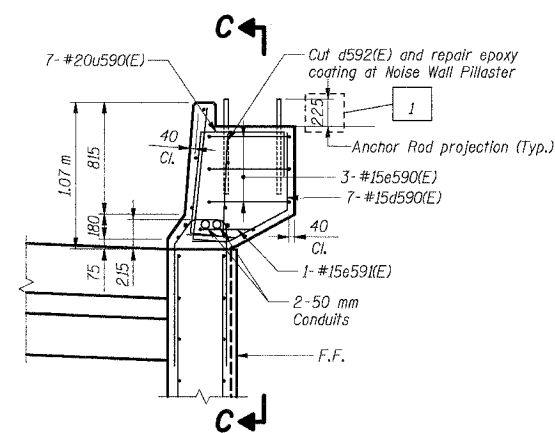


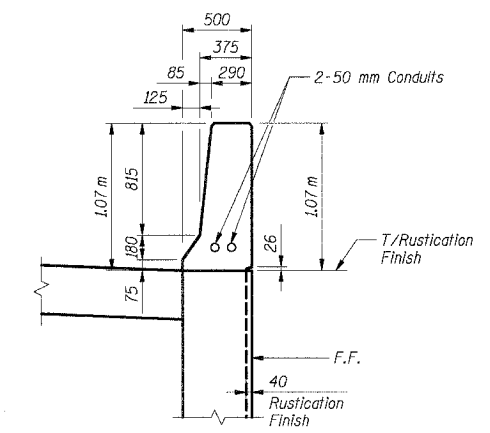
F.A.I. RTE.	SECTION	COUNTY	TOTAL SHEETS	SHEET NO.
80/94	2626.2-R-2	COOK	1207	747
STA.	TO STA.			
FED. ROAD DIST. NO.	ILLINOIS	FED. AID PROJECT		
CONTRACT NO. 62114				



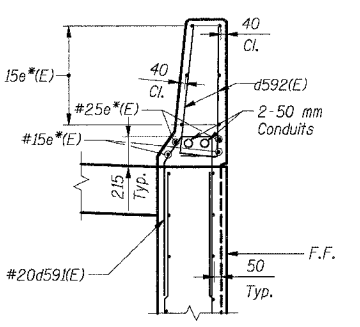
**TRAFFIC BARRIER W/PILASTER**



**TRAFFIC BARRIER W/PILASTER (Showing Reinforcement)**



**TYPICAL TRAFFIC BARRIER SECTION**



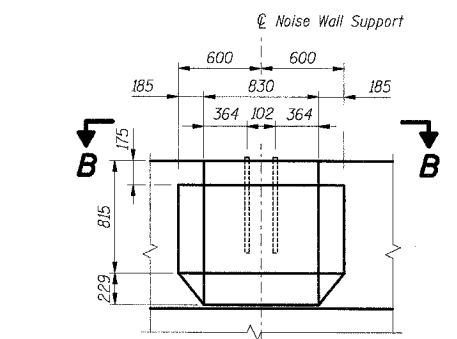
**TYPICAL TRAFFIC BARRIER SECTION (Showing Reinforcement)**

**BAR LIST**  
(Additional bars at each Pilaster)

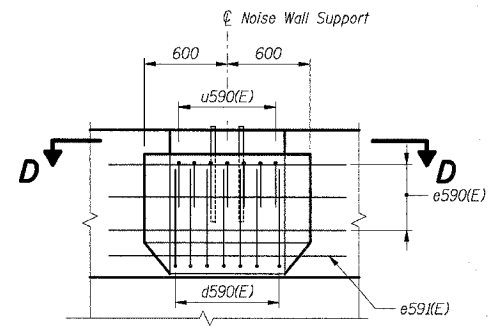
Bar	No.	Size	Length (m)	Shape
d590(E)	7	#15	1.30	U
e590(E)	3	#15	2.56	U
e591(E)	1	#15	2.20	U
u590(E)	7	#20	2.00	U

**Additional Reinf. Bar & Concrete Quantity Based on No. of Pilasters as follows:**

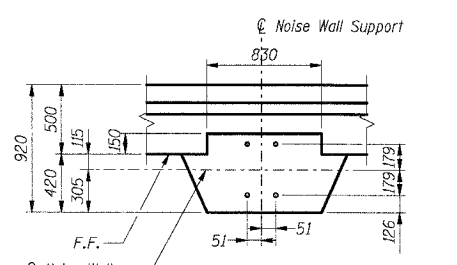
Wall Elev.	No. of Pilasters	Reinforcement Sub-Total (kg)	Concrete Sub-Total (Cu m)
1	7	441	2.1
2	6	378	1.8
3	6	378	1.8
4	6	378	1.8
5	6	378	1.8
6	6	378	1.8
7	4	252	1.2
8	4	252	1.2
9	6	378	1.8
10	7	441	2.1
11	3	189	0.9
12	6	378	1.8
13	6	378	1.8
14	6	378	1.8
15	4	252	1.2
16	6	378	1.8
17	6	378	1.8
18	6	378	1.8
19	6	378	1.8
20	4	252	1.2
21	4	252	1.2



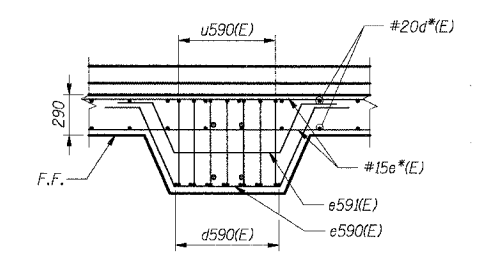
**SECTION A-A**



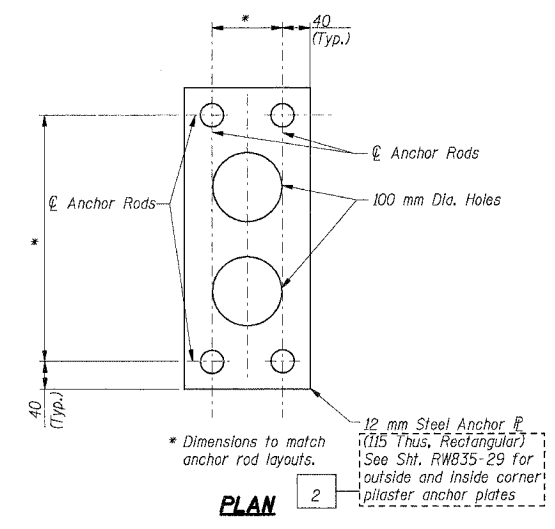
**SECTION C-C**



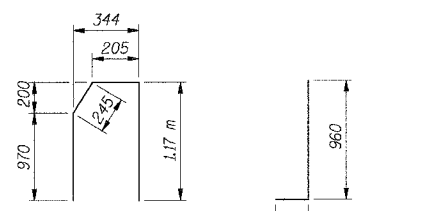
**SECTION B-B**



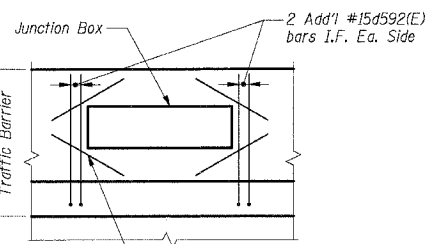
**SECTION D-D**



**ANCHOR ROD ASSEMBLY FOR NOISE WALL**  
(127 Required)



**Bars d591(E) Bar d592(E)**



**ADDITIONAL REINFORCEMENT AT JUNCTION BOXES**  
(4 Thus, 6 in Wall Stem)

**BAR LIST**  
(Additional bars at Junction Boxes)

Bar	No.	Size	Length (m)	Shape
d592(E)	16	#15	1.22	L
e592(E)	16	#15	0.84	—
h590(E)	24	#15	0.84	—

**BILL OF MATERIAL**  
(For Additional bars at Junction Boxes)

Item	Unit	Total
Reinforcement Bars, Epoxy Coated	kg	80

**THIS SHEET FOR INFORMATION ONLY**

**SHT. RW835-30 OF 34**

REVISIONS	
NAME	DATE
MJK	6/21/04
PA	8/3/04

**BILL OF MATERIAL FOR PILASTERS**

Item	Unit	Total
Concrete Structures	Cu m	34.5
Reinforcement Bars, Epoxy Coated	kg	7,250
Furnishing and Erecting Structural Steel	kg	4010

- Notes:**
- All dimensions are in millimeters (mm) except as noted.
  - Reinforcement bars designated (E) shall be epoxy coated.
  - All edges shall have a 20 mm chamfer unless noted otherwise.
  - E.F. indicates each face.
  - B.F. indicates back face.
  - F.F. indicates front face.
  - \*Indicates for location of bars, identification and quantity, see Footing Plans & Wall Elevations.
  - Anchor Rod assembly shall be paid for as Furnishing and Erecting Structural Steel. Installation templates will not be measured for payment.

ILLINOIS DEPARTMENT OF TRANSPORTATION  
F.A.I. ROUTE 80/94 (KINGERY EXPRESSWAY)  
IL ROUTE 83 RECONSTRUCTION  
RETAINING WALL - STRUCTURE NO. 016-W835  
SECTION 2425 R-3 & 2425-711B  
COOK COUNTY

**NOISE WALL PILASTER & TRAFFIC BARRIER DETAILS**

DATE: 02/20/2004  
DRAWN BY: SC  
CHECKED BY: MJK  
**TENG**  
TENG & ASSOCIATES, INC.  
ENGINEERS/ARCHITECTS/PLANNERS  
CHICAGO, ILLINOIS

7-11-2005, 13:33:34 T:\DOCUMENT\83750N\STRUCT\NOISWALL\26262R2A.DGN BAL/ZEK/J 12.13.14 15:16:17 18:20:21 22:23 24:25 26:27 28:29 30:31 32:33 34 35 36 37 38:39 40:41 42:43 44 45 46 47 48:49 50:51 52:53 54:55:56:57 58:59 60:61 62:63