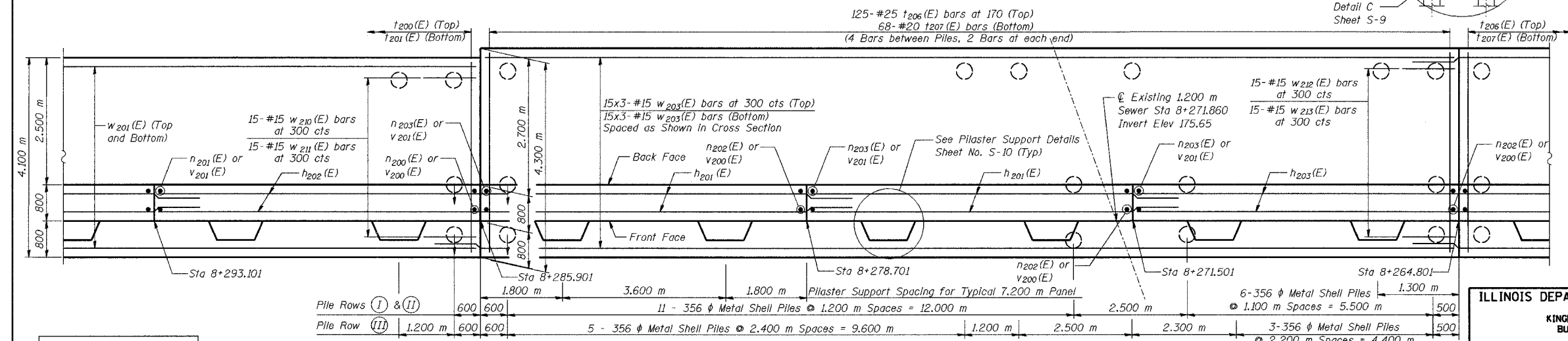
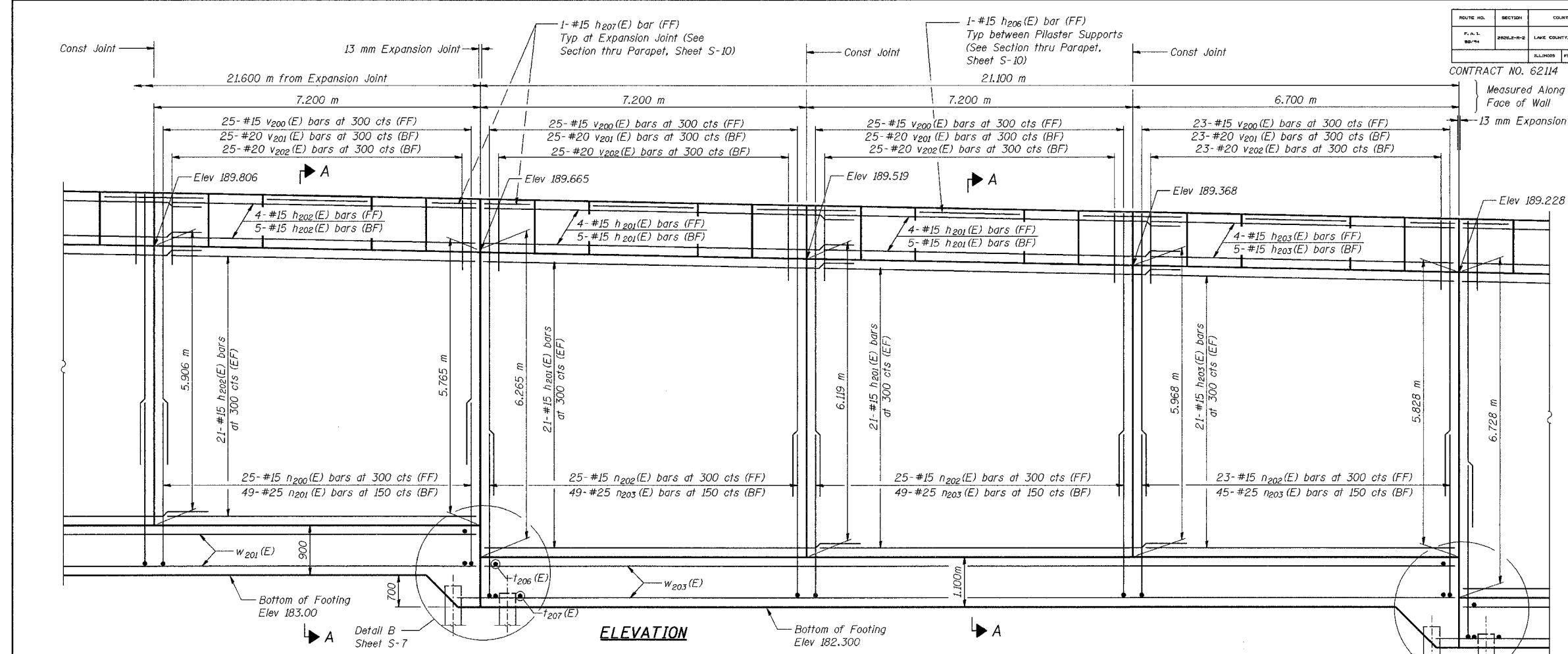


| | | | | |
|-----------|------------|----------------------|-------|---------------|
| ROUTE NO. | SECTION | COUNTY | SHEET | SHEET NO. S-8 |
| F.A.L. | 2626.2-R-2 | LAKE COUNTY, INDIANA | 1207 | 868 |
| DATE | 09/05 | | | |

CONTRACT NO. 62114 INDOT DES. NO. 0100987

Measured Along Front Face of Wall



MINIMUM BAR LAPS
 #15 bars = 640
 #20 bars = 790

LEGEND
 BF = Back Face
 FF = Front Face
 EF = Each Face

| | |
|----------|-----|
| DESIGNED | KFA |
| CHECKED | BPS |
| DRAWN | MJB |
| CHECKED | GSP |

The Contractor shall locate all utilities (existing and new) prior to driving piles, by exploratory test pits and/or probes. The cost of locating utilities shall be included with Pile, Concrete, Steel Shell Encased, 6,35 mm, 356 mm. Any conflicts between the utilities and the proposed piles shall be reported in writing to the Bureau of Bridges and Structures for further disposition. Piles within 3 meters horizontally of actual utility

location shall be preaugered/precored to the greater of bottom of the utility or 3 meter depth to maintain utility in original vertical and horizontal position. The diameter of preaugered/precored hole shall be the same diameter as outside diameter of pile. The cost of the preaugering/precoreing shall be included with Pile, Concrete, Steel Shell Encased, 6,35 mm, 356 mm.

FOOTING PLAN

NOTES:
 See Sheet S-10 for Section A-A.
 See Sheet S-11 for Expansion Joint Detail and Bill of Material.
 See Sheet S-12 for Rustication details.
 Stations are referenced to @ I-80/94.
 Reinforcement bars designated (E) shall be epoxy coated.

All dimensions are in millimeters (mm) except as noted.
 Bars indicated thus 20 x 3-#15 etc. indicates 20 lines of bars with 3 lengths per line.

ILLINOIS DEPARTMENT OF TRANSPORTATION
 I-80/94/US 6
 KINGERY-BORMAN EXPRESSWAY
 BURNHAM ROAD TO US 41
PLAN AND ELEVATION (6 OF 7)
SECTION 2626.2-R-2
LAKE COUNTY, INDIANA
STATION 8+235.100 TO STATION 8+412.491
STRUCTURE NO. 016-W858
 DATE 09/05
AMERICAN
 CONSULTING ENGINEERS