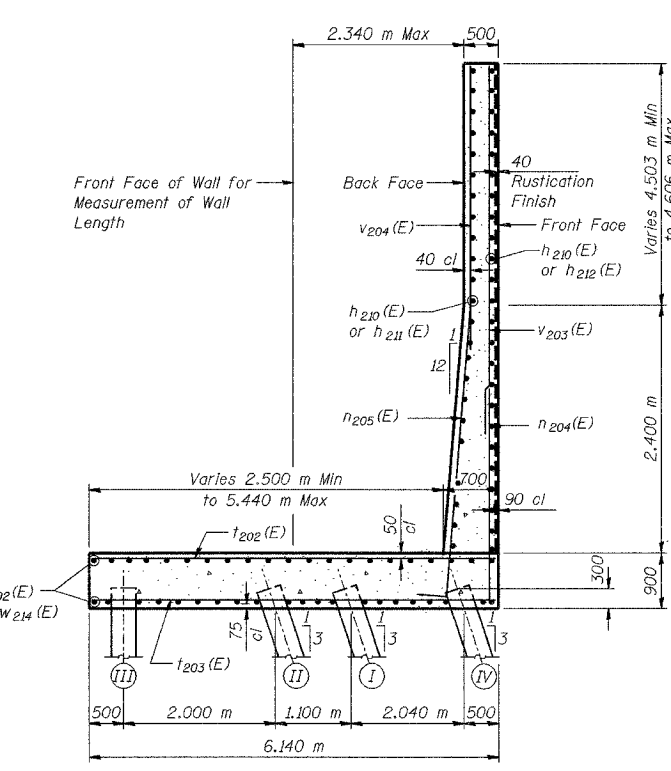
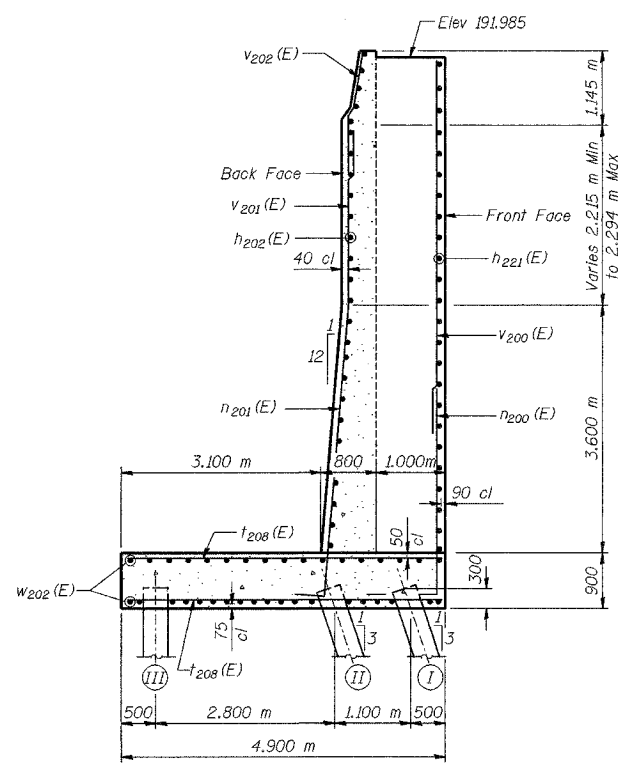


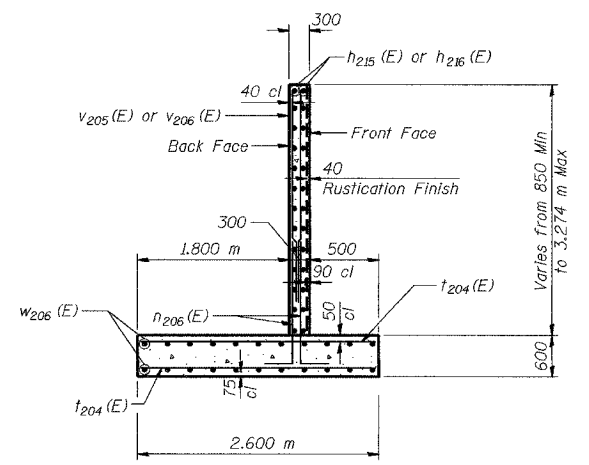
SECTION A-A



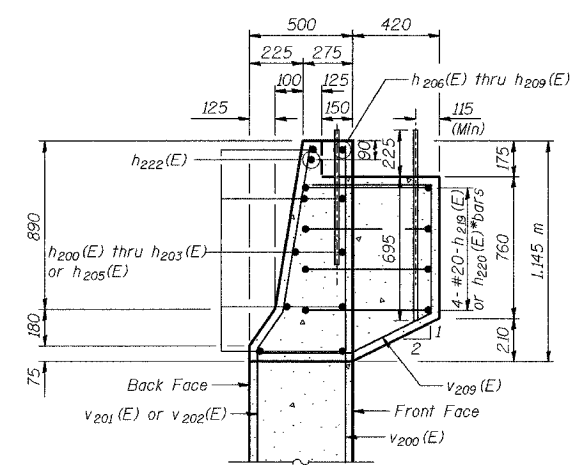
SECTION C-C



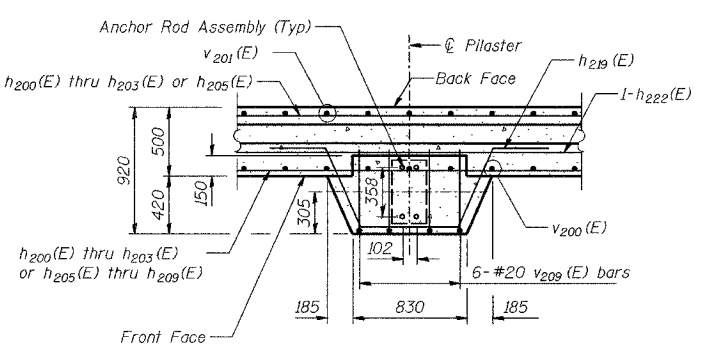
SECTION E-E



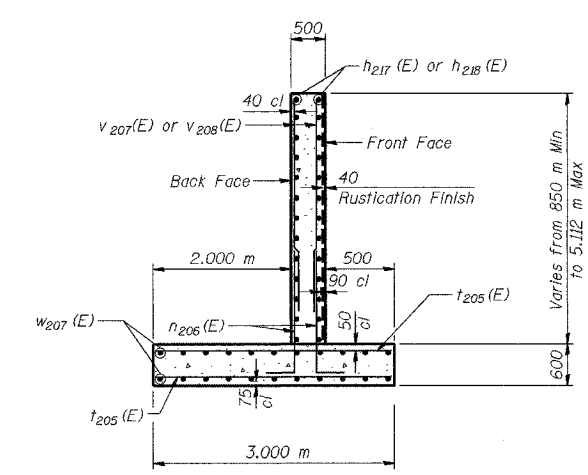
SECTION B-B



SECTION THRU PARAPET



PILASTER SUPPORT - PLAN VIEW
(42 Locations)



SECTION D-D

PILE DATA

Type - 356 ϕ Metal Shell
Capacity - 500 kN
Est. Length - 19.0 m from Sta 8+243.000 to Sta 8+286.000
16.0 m from Sta 8+286.000 to Sta 8+402.000
No. Req'd. - 347
Test Piles - 4

NOTES:
See Sheet S-11 for Expansion Joint details, Anchor Rod Assembly details and Bill of Material
See Sheet S-12 for Rustication details.
Reinforcement bars designated (E) shall be epoxy coated.
All dimensions are in millimeters (mm) except as noted.
See Typical Section on Sheet S-2 for Drainage Details and Surface Seal Limits.

| | |
|----------|-----|
| DESIGNED | KFA |
| CHECKED | BPS |
| DRAWN | MJB |
| CHECKED | GSP |

ILLINOIS DEPARTMENT OF TRANSPORTATION
I-80/94/US 6
KINGERY-BORMAN EXPRESSWAY
BURNHAM ROAD TO US 41

WALL SECTIONS AND DETAILS (1 OF 2)
SECTION 2626.2-R-2
LAKE COUNTY, INDIANA
STATION 8+235.100 TO STATION 8+412.491
STRUCTURE NO. 016-W858

DATE 09/05

AMERICAN
CONSULTING ENGINEERS