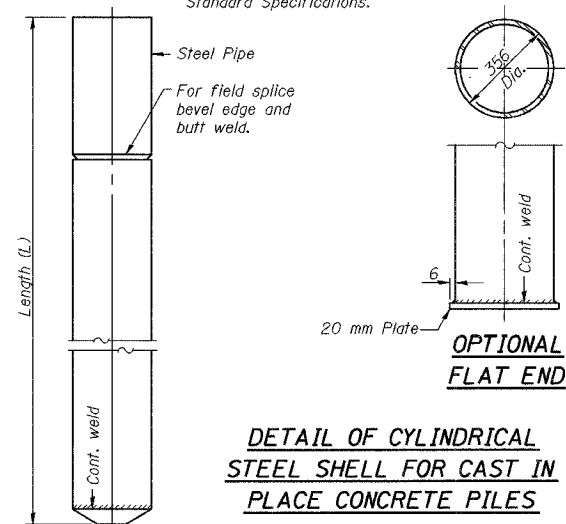


ROUTE NO.	SECTION	COUNTY	SHEET NO.	SHEET	SHEET NO. S-13
F. A. I. 66/74	2626.2-R-2	LAKE COUNTY, INDIANA	1207	873	20 SHEETS
BALANCE		FED. AID PROJECT			

CONTRACT NO. 62114 INDOT DES. NO. 0100987

Notes: Driving and bearing ends of pipe shall be cut square. The thickness of the shell shall be 6.35 mm with a tolerance of 5%. The shell shall be according to Article 1006.05(a) of the Standard Specifications.



DESIGNED	KFA
CHECKED	BPS
DRAWN	MJB
CHECKED	GSP

X-PB (M) 4-30-97 (All dimensions are in millimeters (mm) except as noted.)

ILLINOIS DEPARTMENT OF TRANSPORTATION
I-80/94/US 6
KINGERY-BORMAN EXPRESSWAY
BURNHAM ROAD TO US 41

CONCRETE PILE DETAILS
SECTION 2626.2-R-2
LAKE COUNTY, INDIANA
STATION 8+235.100 TO STATION 8+412.491
STRUCTURE NO. 016-W858

DATE 09/05

AMERICAN
CONSULTING ENGINEERS