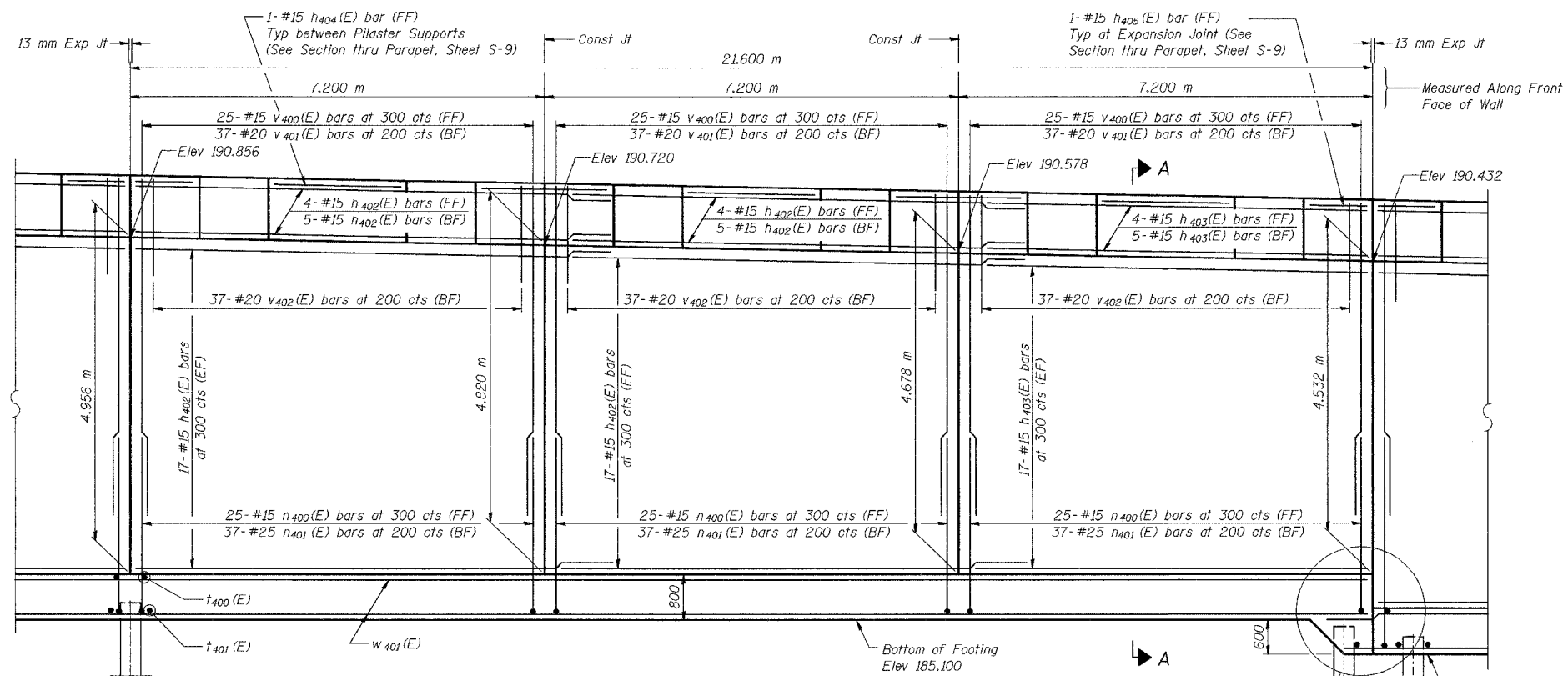
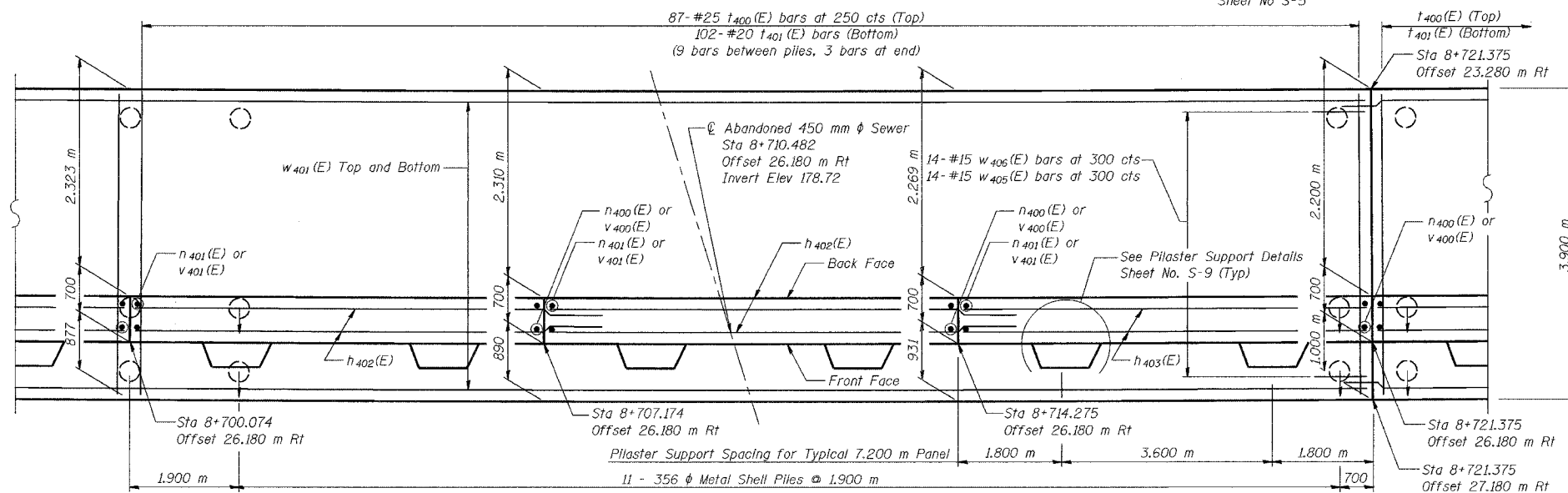


ROUTE NO.	SECTION	COUNTY	SHEET NO.	SHEET NO.	SHEET NO.
I-80/94	2626.2-R-1	LAKE COUNTY, INDIANA	1207	887	17 SHEETS
CONTRACT NO. 62114		INDOT DES. NO. 0100987			



ELEVATION



FOOTING PLAN

DESIGNED	MJW
CHECKED	KFA
DRAWN	MJB
CHECKED	GSP

MINIMUM BAR LAPS

#15 bars = 640
#20 bars = 790

LEGEND

BF = Back Face
FF = Front Face
EF = Each Face

NOTES:

See Sheet S-9 for Section A-A. Expansion Joint Detail, and Bill of Material.
See Sheet S-10 for Rustication details.
Stations are referenced to E I-80/94 .
Reinforcement bars designated (E) shall be epoxy coated.
All dimensions are in millimeters (mm) except as noted.

ILLINOIS DEPARTMENT OF TRANSPORTATION
I-80/94/US 6
KINGERY-BORMAN EXPRESSWAY
BURNHAM ROAD TO US 41

PLAN AND ELEVATION (5 OF 6)
SECTION 2626.2-R-1
LAKE COUNTY, INDIANA
STATION 8+600.619 TO STATION 8+735.576
STRUCTURE NO. 016-W859

DATE 07/05

AMERICAN
CONSULTING ENGINEERS

FOR INFORMATION ONLY