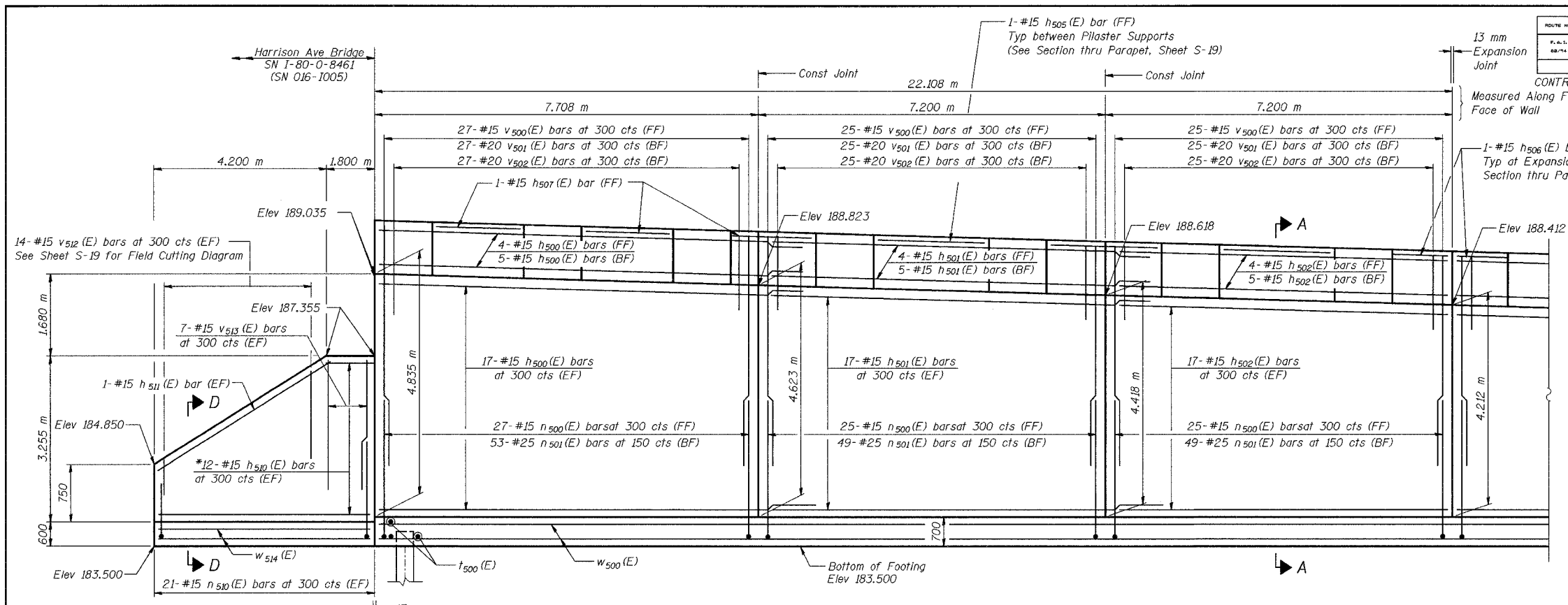
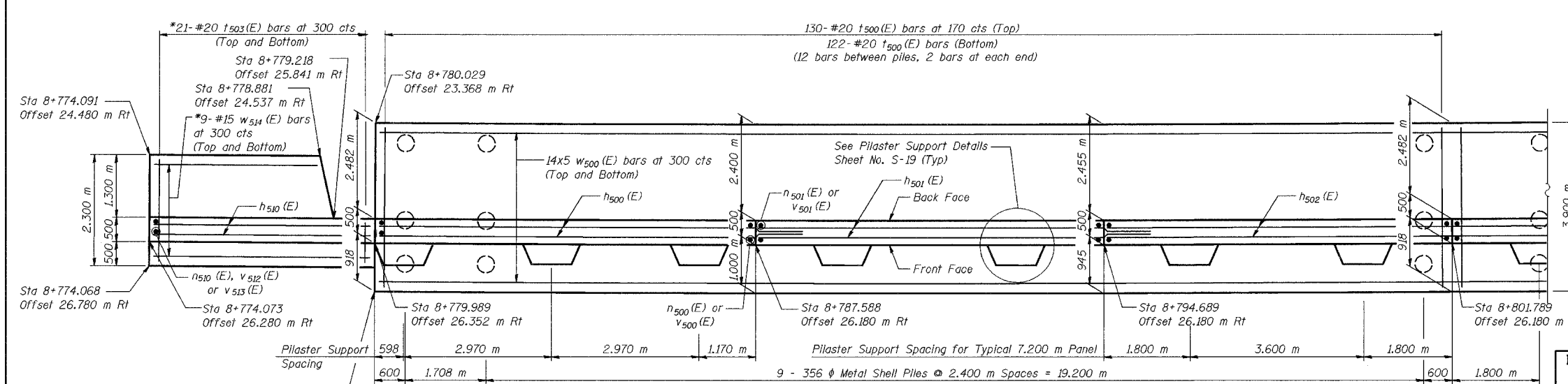


ROUTE NO.	SECTION	COUNTY	SHEET	SHEET	SHEET NO. S-3
68-14	2626.2-R-2	LAKE COUNTY, INDIANA	1207	919	29 SHEETS

CONTRACT NO. 62114 INDOT DES. NO. 0100987



ELEVATION



FOOTING PLAN

NOTES:
 See Sheet S-19 for Section A-A and Section D-D.
 See Sheet S-20 for Expansion Joint Detail and Bill of Material.
 See Sheet S-21 for Rustication details.
 Stations are referenced to \mathcal{C} I-80/94.
 Reinforcement bars designated (E) shall be epoxy coated.
 All dimensions are in millimeters (mm) except as noted.
 Bars indicated thus 20 x 3-#15 etc. indicates 20 lines of bars with 3 lengths per line.
 *Cut to Fit.

DESIGNED	KFA
CHECKED	BPS
DRAWN	MJB
CHECKED	GSP

MINIMUM BAR LAPS
 #15 bars = 640
 #20 bars = 790

LEGEND
 BF = Back Face
 FF = Front Face
 EF = Each Face

ILLINOIS DEPARTMENT OF TRANSPORTATION
 I-80/94/US 6
 KINGERY-BORMAN EXPRESSWAY
 BURNHAM ROAD TO US 41
PLAN AND ELEVATION (1 OF 13)
SECTION 2626.2-R-2
LAKE COUNTY, INDIANA
STATION 8+774.073 TO STATION 9+227.203
STRUCTURE NO. 016-W861
 DATE 09/05
AMERICAN
 CONSULTING ENGINEERS