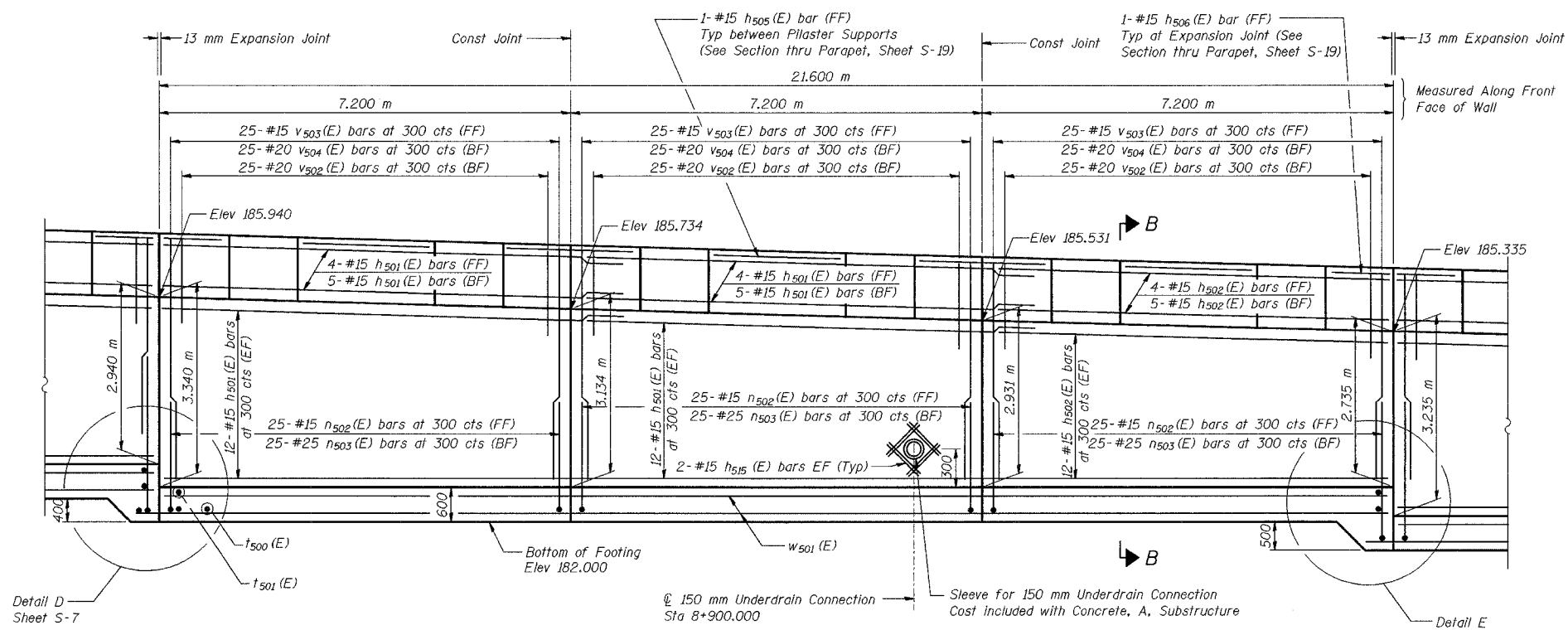
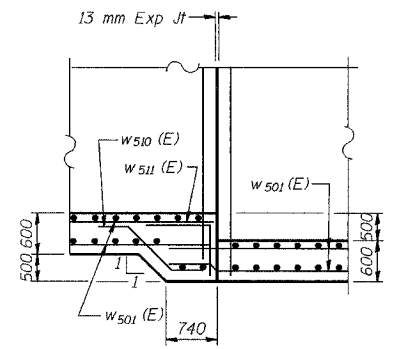


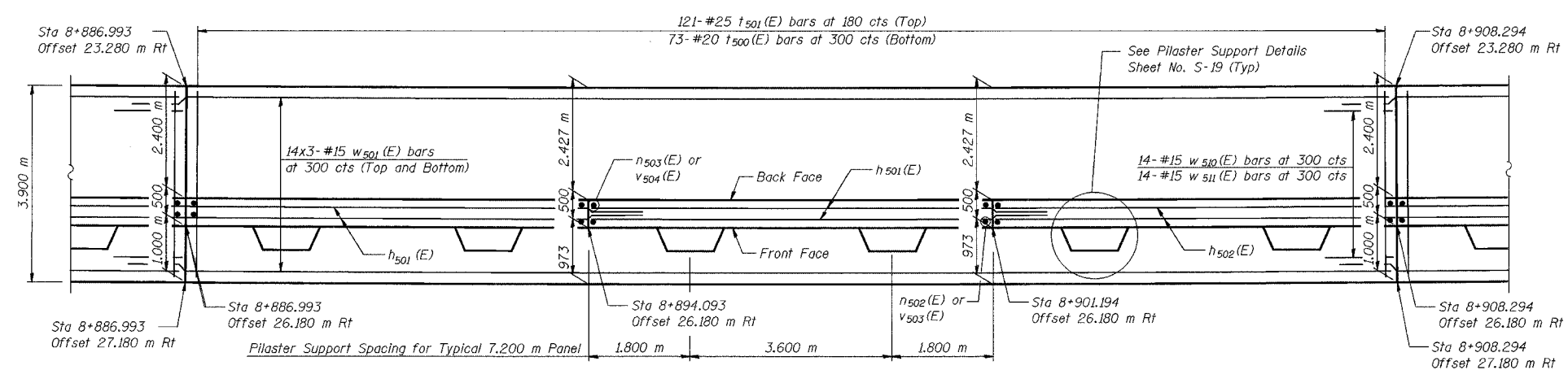
ROUTE NO.	SECTION	COUNTY	SHEETS	SHEET	SHEET NO. S-8 29 SHEETS	
62-114	2626.2-R-2	LAKE COUNTY, INDIANA	1207	924		
ILLINOIS DEPARTMENT OF TRANSPORTATION					CONTRACT NO. 62114	INDOT DES. NO. 0100987



**ELEVATION**



**DETAIL E**



**FOOTING PLAN**

**NOTES:**  
 See Sheet S-19 for Section B-B.  
 See Sheet S-20 for Expansion Joint Detail and Bill of Material.  
 See Sheet S-21 for Rustication details.  
 Stations are referenced to  $\pm$  I-80/94.  
 Reinforcement bars designated (E) shall be epoxy coated.  
 All dimensions are in millimeters (mm) except as noted.  
 Bars indicated thus 20 x 3-#15 etc. indicates 20 lines of bars with 3 lengths per line.

DESIGNED	KFA
CHECKED	BPS
DRAWN	MJB
CHECKED	GSP

**MINIMUM BAR LAPS**  
 #15 bars = 640  
 #20 bars = 790

**LEGEND**  
 BF = Back Face  
 FF = Front Face  
 EF = Each Face

ILLINOIS DEPARTMENT OF TRANSPORTATION  
 I-80/94/US 6  
 KINGERY-BORMAN EXPRESSWAY  
 BURNHAM ROAD TO US 41  
**PLAN AND ELEVATION ( 6 OF 13 )**  
**SECTION 2626.2-R-2**  
**LAKE COUNTY, INDIANA**  
**STATION 8+774.073 TO STATION 9+227.203**  
**STRUCTURE NO. 016-W861**  
 DATE 09/05  
**AMERICAN**  
 CONSULTING ENGINEERS