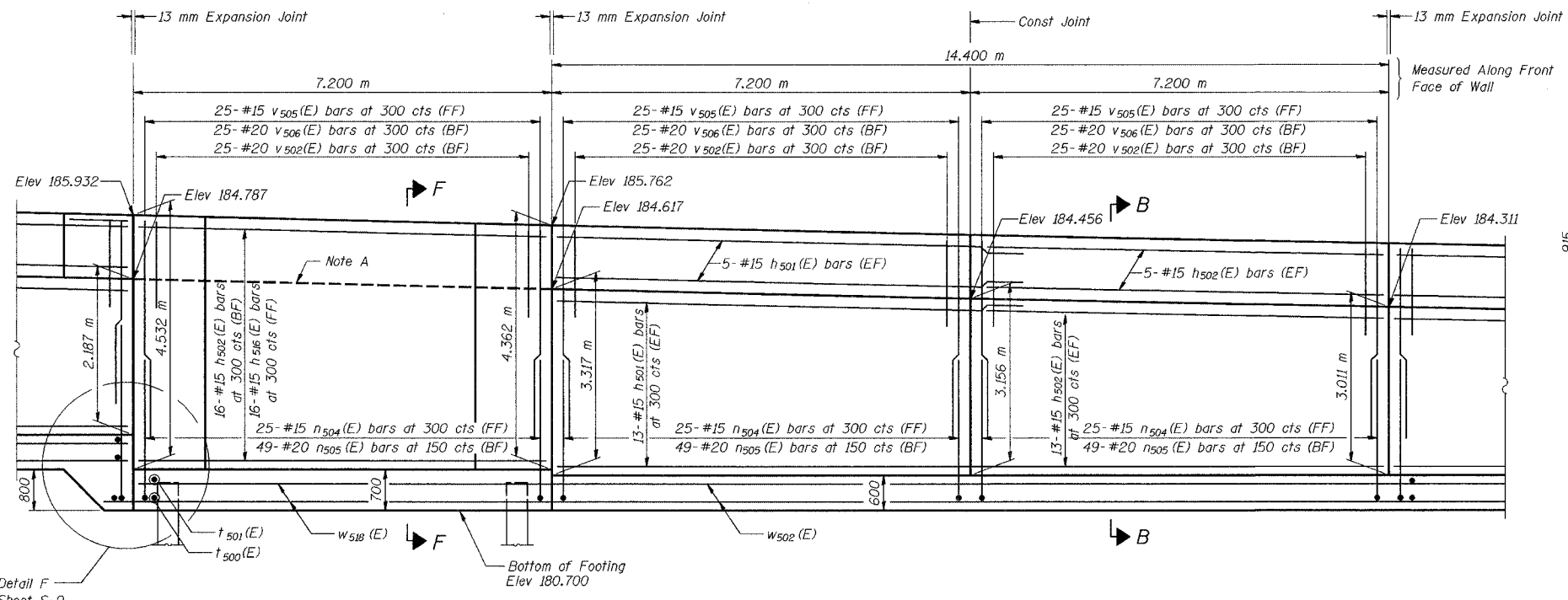
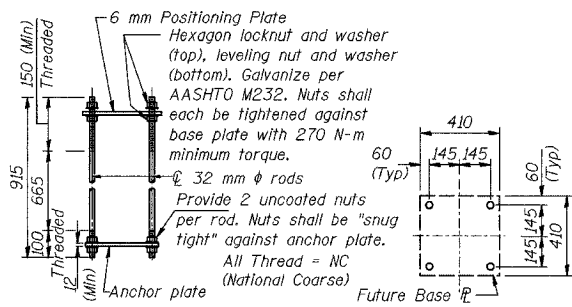


ROUTE NO.	SECTION	COUNTY	SHEET NO.	SHEET	SHEET NO. S-10 29 SHEETS
I-80/94	2626.2-R-2	LAKE COUNTY, INDIANA	1207	926	
ILLINOIS DEPARTMENT OF TRANSPORTATION					CONTRACT NO. 62114 INDOT DES. NO. 0100987



ELEVATION



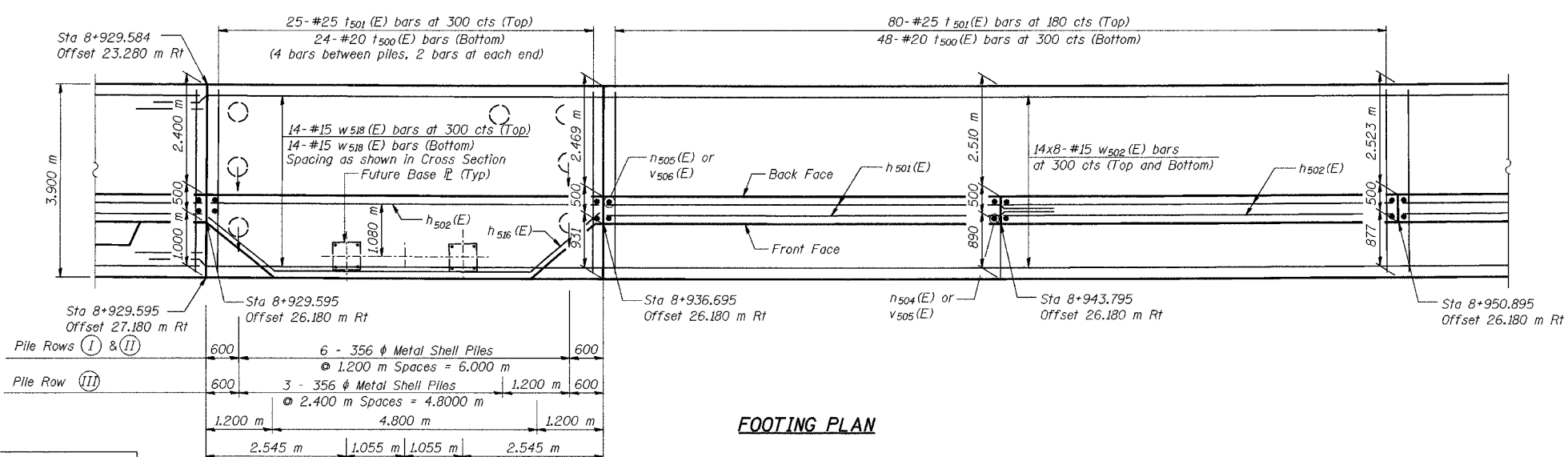
ANCHOR ROD DETAIL
(Overhead Sign Structure - Span, Anchor Rod Assembly, 2 Req'd)

ANCHOR BOLT LAYOUT

ANCHOR ROD NOTE:
Anchor rods conform to AASHTO M314M Grade 250 or 380 (36 or 55) and meet Charpy V-Notch (CVN) energy of 20 J at 5°C. Galvanize per AASHTO M232. No welding shall be permitted on rods.

NOTE A
Construction Joint 1.145 m below top of parapet shall not be continued thru section of wall supporting the Overhead Sign Structure - Span. Finished appearance of front face of wall in this section shall be the same as that in the adjacent sections of wall.

NOTES:
See Sheet S-19 for Section B-B and Section F-F.
See Sheet S-20 for Expansion Joint Detail and Bill of Material.
See Sheet S-21 for Rustication details.
Stations are referenced to \pm 1-80/94.
Reinforcement bars designated (E) shall be epoxy coated.
All dimensions are in millimeters (mm) except as noted.
Bars indicated thus 20 x 3-#15 etc. indicates 20 lines of bars with 3 lengths per line.



FOOTING PLAN

DESIGNED	KFA
CHECKED	BPS
DRAWN	MJB
CHECKED	GSP

MINIMUM BAR LAPS
#15 bars = 640
#20 bars = 790

LEGEND
BF = Back Face
FF = Front Face
EF = Each Face

ILLINOIS DEPARTMENT OF TRANSPORTATION
I-80/94/US 6
KINGERY-BORMAN EXPRESSWAY
BURNHAM ROAD TO US 41

PLAN AND ELEVATION (8 OF 13)
SECTION 2626.2-R-2
LAKE COUNTY, INDIANA
STATION 8+774.073 TO STATION 9+227.203
STRUCTURE NO. 016-W861

DATE 09/05

AMERICAN
CONSULTING ENGINEERS