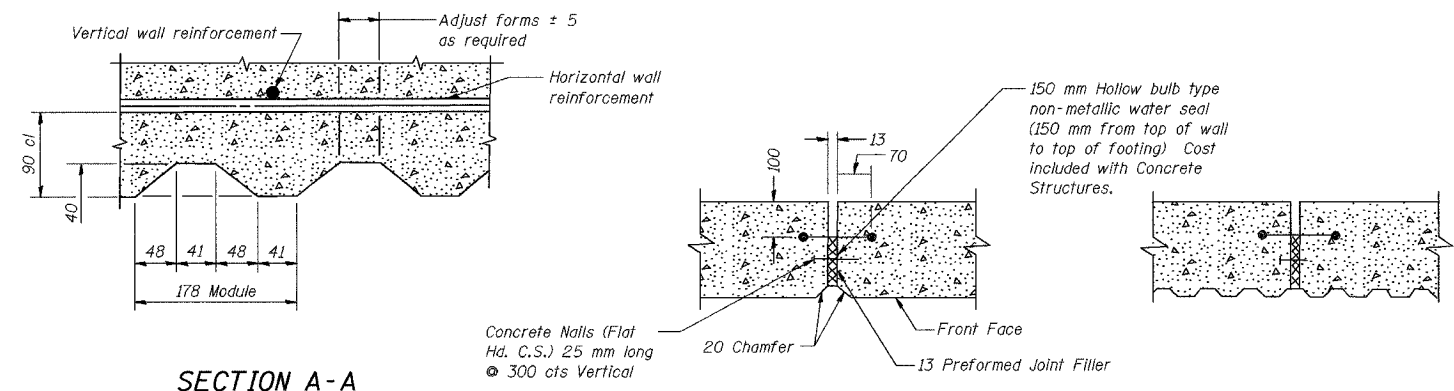
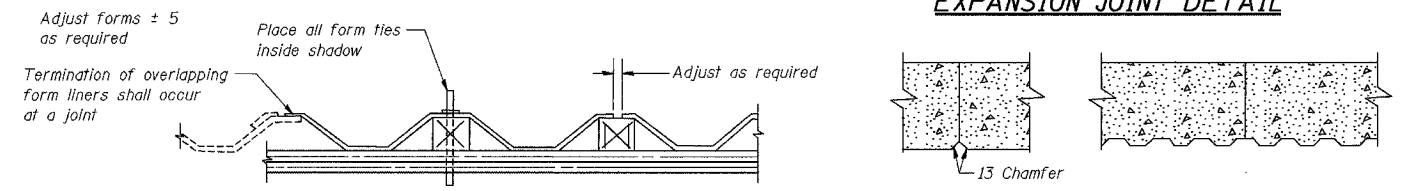


FRONT FACE ELEVATION-TYPICAL ARCHITECTURAL FINISH



SECTION A-A

EXPANSION JOINT DETAIL



SUGGESTED FORMWORK DETAIL

CONSTRUCTION JOINT DETAIL

RUSTICATION LIMITS

STATION	TOP OF WALL ELEVATION	BOTTOM OF RUSTICATION ELEVATION
8+774.073	184.850	184.400
8+778.214	187.355	184.400
8+779.989	187.355	184.400
8+779.989	189.035	184.500
8+787.588	188.823	184.500
8+794.689	188.618	184.500
8+801.789	188.412	184.500
8+808.889	188.206	184.500
8+815.989	188.000	184.500
8+823.091	187.794	184.500
8+823.091	187.794	184.200
8+830.191	187.588	184.200
8+837.291	187.382	184.200
8+844.391	187.176	184.200
8+844.391	187.176	183.900
8+851.491	186.970	183.900
8+858.591	186.764	183.900
8+865.692	186.558	183.900
8+865.692	186.558	183.300
8+872.792	186.352	183.300
8+879.893	186.146	183.300
8+886.993	185.940	183.300
8+886.993	185.940	182.900
8+894.093	185.734	182.900
8+901.194	185.528	182.900
8+908.294	185.322	182.900
8+908.294	185.322	182.400
8+915.394	185.116	182.400
8+922.494	184.910	182.400
8+929.595	184.704	182.400
8+929.595	184.704	181.600
8+936.695	184.498	181.600
8+943.795	184.292	181.600
8+950.895	184.086	181.600
8+957.996	183.880	181.600
8+965.096	183.674	181.600
8+972.197	183.468	181.600
8+979.297	183.262	181.600
8+986.397	183.056	181.600
8+993.497	182.850	181.600
8+997.775	182.644	181.600
9+004.873	182.438	181.600
9+011.969	182.232	181.600
9+019.063	182.026	181.600
9+026.155	181.820	181.600
9+033.244	181.614	181.600
9+040.332	181.408	181.600
9+047.417	181.202	181.600
9+052.798	180.996	181.600

DESIGNED	KFA
CHECKED	BPS
DRAWN	MJB
CHECKED	GSP

BILL OF MATERIAL

Item	Unit	Total
Rustication Finish	m ²	758

Note: All dimensions are in millimeters (mm) unless otherwise noted.

ILLINOIS DEPARTMENT OF TRANSPORTATION
I-80/94/US 6
KINGERY-BORMAN EXPRESSWAY
BURNHAM ROAD TO US 41

RUSTICATION FINISH DETAILS
SECTION 2626.2-R-2
LAKE COUNTY, INDIANA
STATION 8+774.073 TO STATION 9+227.203
STRUCTURE NO. 016-W861

DATE 09/05

AMERICAN
CONSULTING ENGINEERS