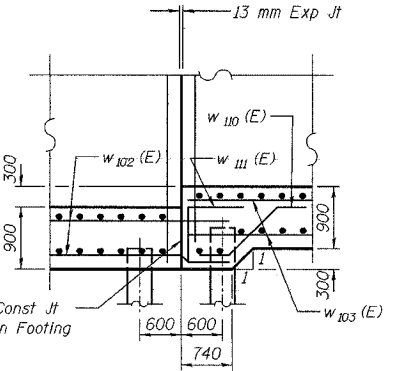
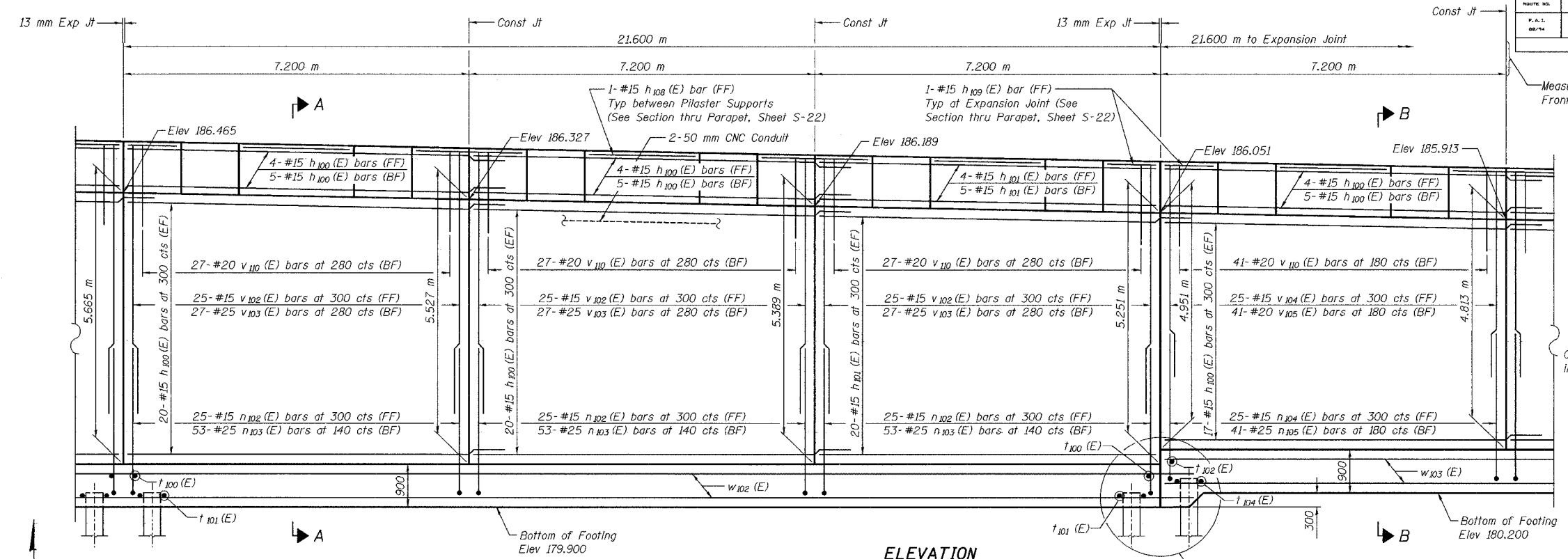


ROUTE NO.	SECTION	COUNTY	SHEET	SHEET	SHEET NO. S-9
F.A.L.	2001-167R	COOK COUNTY	1207	954	37 SHEETS
CONTRACT No. 62114					



**NOTES:**

See Sheet S-22 for Section A-A, Section B-B, Pilaster Support details, and Bill of Material.

See Sheet S-23 for Rustication details and Expansion Joint Detail.

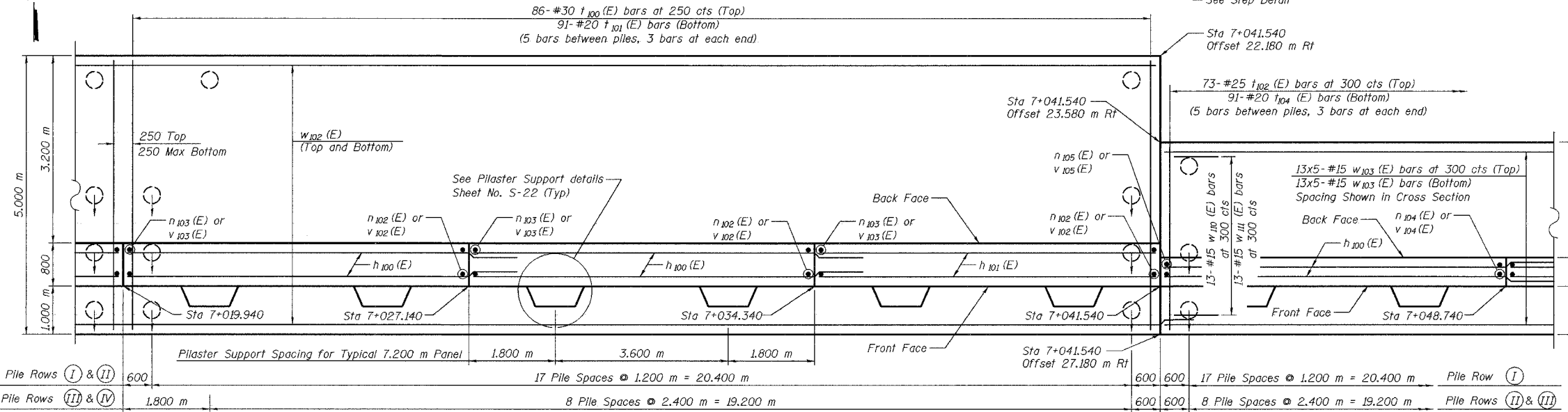
Stations are referenced to  $\odot$  I-80/94.

Reinforcement bars designated (E) shall be epoxy coated.

All dimensions are in millimeters (mm) except as noted.

See Electrical Drawings for Junction Box and Conduit Details.

Bars indicated thus 20 x 3-#15 etc. indicates 20 lines of bars with 3 lengths per line.



DESIGNED	BHS
CHECKED	KFA
DRAWN	MJB
CHECKED	GSP

**FOOTING PLAN**

**MINIMUM BAR LAPS**

#15 bars	= 640
#20 bars	= 790
#25 bars	= 1320

**LEGEND**

BF	= Back Face
FF	= Front Face
EF	= Each Face

ILLINOIS DEPARTMENT OF TRANSPORTATION  
 F.A.L. ROUTE 80/94 AND U.S. ROUTE 6  
 LOCAL ROAD RECONSTRUCTION

**PLAN AND ELEVATION (7 OF 19)  
 SECTION 2001-167R  
 COOK COUNTY**

**STATION 6+850.000 TO STATION 7+400.281  
 STRUCTURE NO. 016-W873**

DATE 07/05

**AMERICAN**  
 CONSULTING ENGINEERS

FOR INFORMATION ONLY