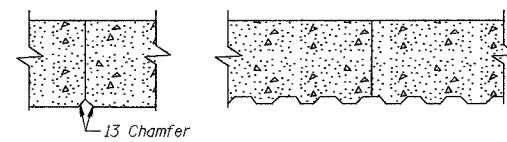
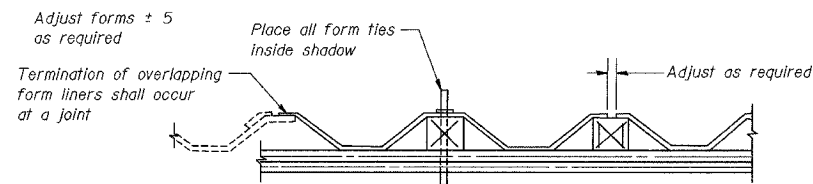
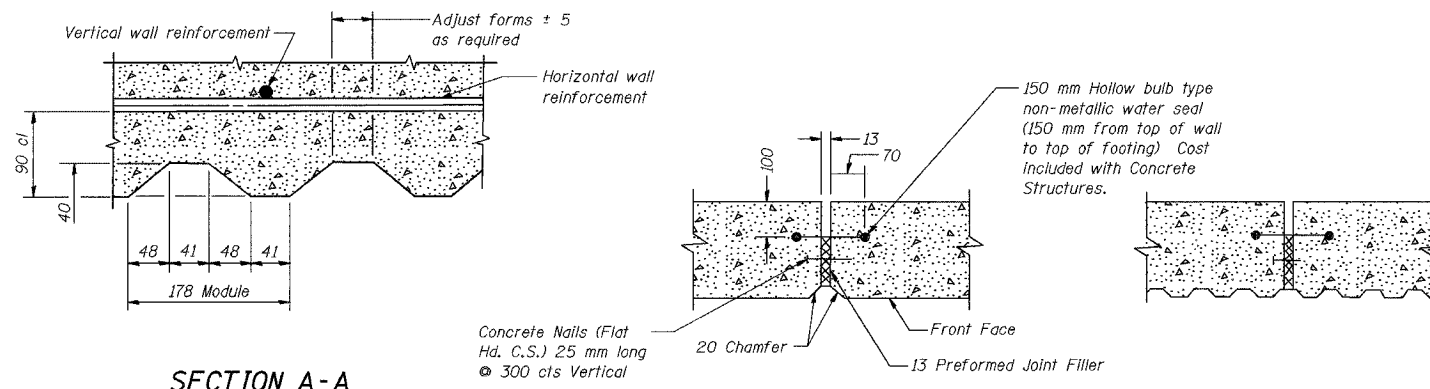


**FRONT FACE ELEVATION-TYPICAL ARCHITECTURAL FINISH**



**RUSTICATION LIMITS**

STATION	TOP OF WALL ELEVATION	BOTTOM OF RUSTICATION ELEVATION	STATION	TOP OF WALL ELEVATION	BOTTOM OF RUSTICATION ELEVATION
6+850.000	188.949	182.120	7+178.340	183.953	181.815
6+854.350	188.914	181.817	7+185.540	183.905	181.865
6+861.550	188.853	182.125	7+192.740	183.863	181.902
6+886.749	188.788	182.083	7+199.940	183.828	181.940
6+875.948	188.718	182.064	7+207.140	183.800	181.977
6+883.147	188.644	182.080	7+214.340	183.778	182.013
6+890.347	188.566	182.062	7+221.540	183.756	182.049
6+897.456	188.484	182.035	7+228.740	183.735	182.085
6+904.745	188.398	182.121	7+235.940	183.713	182.121
6+911.944	188.307	182.026	7+239.540	183.713	182.140
6+919.144	188.212	182.010	7+243.140	183.691	182.158
6+926.343	188.113	182.000	7+250.340	183.670	182.194
6+933.542	188.010	181.995	7+257.540	183.648	182.230
6+940.741	187.903	182.119	7+264.740	183.627	182.266
6+947.941	187.791	181.983	7+271.940	183.605	182.297
6+955.140	187.675	181.895	7+279.140	183.577	182.318
6+962.340	187.551	181.820	7+286.340	183.546	182.337
6+969.540	187.422	181.782	7+293.540	183.507	182.348
6+976.740	187.291	181.769	7+300.740	183.466	182.358
6+983.940	187.156	181.737	7+307.940	183.425	182.369
6+991.140	187.018	181.720	7+315.140	183.384	182.380
6+998.340	186.879	181.725	7+322.340	183.344	182.437
7+005.540	186.741	181.680	7+329.540	183.303	182.428
7+012.740	186.603	181.578	7+336.740	183.262	182.394
7+019.940	186.465	181.340	7+343.940	183.221	182.360
7+027.140	186.327	181.454	7+351.140	183.180	182.326
7+034.340	186.189	181.552	7+358.340	183.139	182.292
7+041.540	186.051	181.573	7+365.540	183.098	182.259
7+048.740	185.913	181.482	7+372.740	183.052	182.119
7+055.940	185.775	181.459	7+379.940	183.001	182.105
7+063.140	185.637	181.499	7+387.235	182.943	182.091
7+070.340	185.499	181.712	7+394.534	182.882	182.298
7+077.540	185.360	181.847	7+400.281	182.828	182.516
7+084.740	185.222	181.931			
7+091.940	185.085	181.915			
7+099.140	184.952	181.897			
7+106.340	184.826	181.898			
7+113.540	184.708	181.896			
7+120.740	184.596	181.932			
7+127.940	184.491	181.917			
7+135.140	184.393	181.893			
7+142.340	184.302	181.875			
7+149.540	184.219	181.873			
7+156.740	184.142	181.871			
7+163.940	184.072	181.864			
7+171.140	184.009	181.853			

**BILL OF MATERIAL**

Item	Unit	Total
Rustication Finish	m <sup>2</sup>	1812

Note: All dimensions are in millimeters (mm) unless otherwise noted.

DESIGNED	BHS
CHECKED	KFA
DRAWN	MJB
CHECKED	GSP

ILLINOIS DEPARTMENT OF TRANSPORTATION  
 F.A.L. ROUTE 80/94 AND U.S. ROUTE 6  
 LOCAL ROAD RECONSTRUCTION

**RUSTICATION FINISH DETAILS**  
 SECTION 2001-167R  
 COOK COUNTY

STATION 6+850.000 to STATION 7+400.281  
 STRUCTURE NO. 016-W873

DATE 07/05

**AMERICAN**  
 CONSULTING ENGINEERS

FOR INFORMATION ONLY