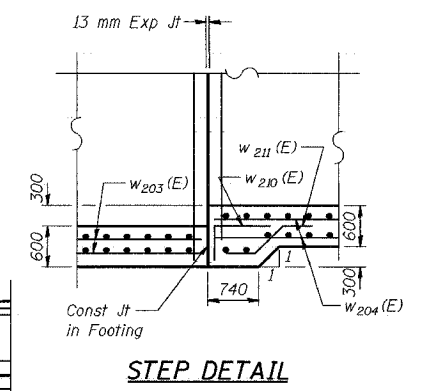
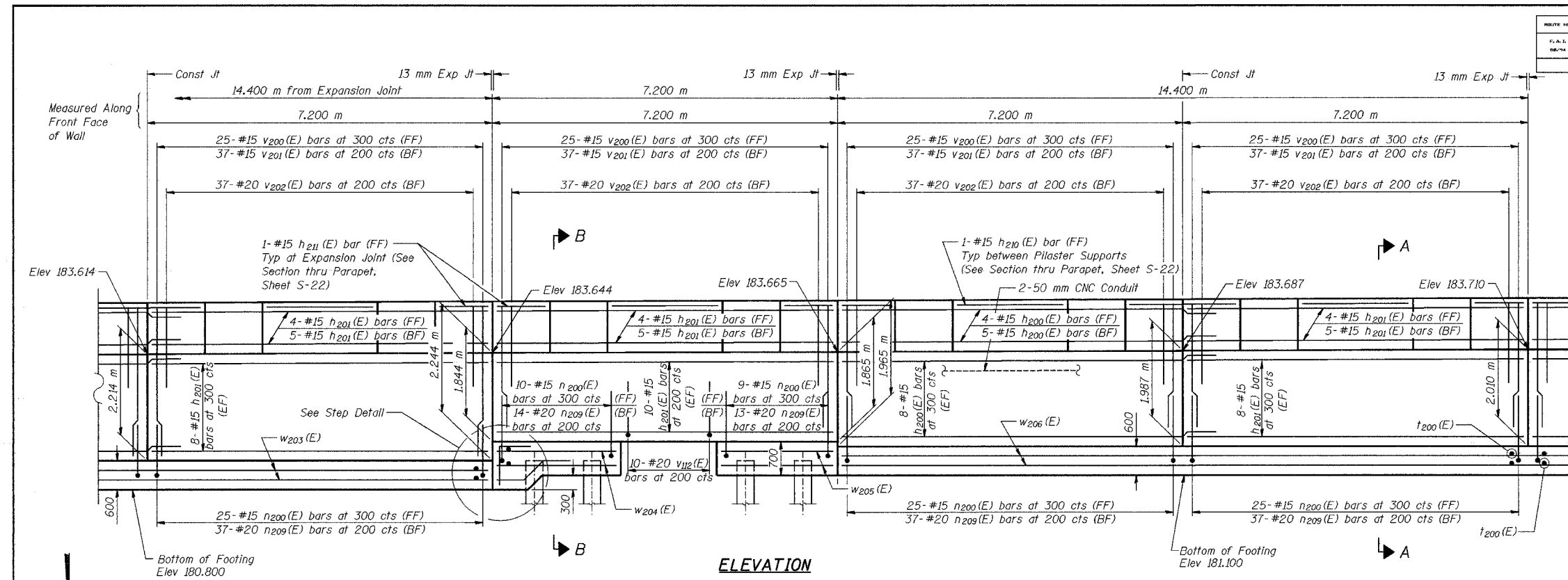
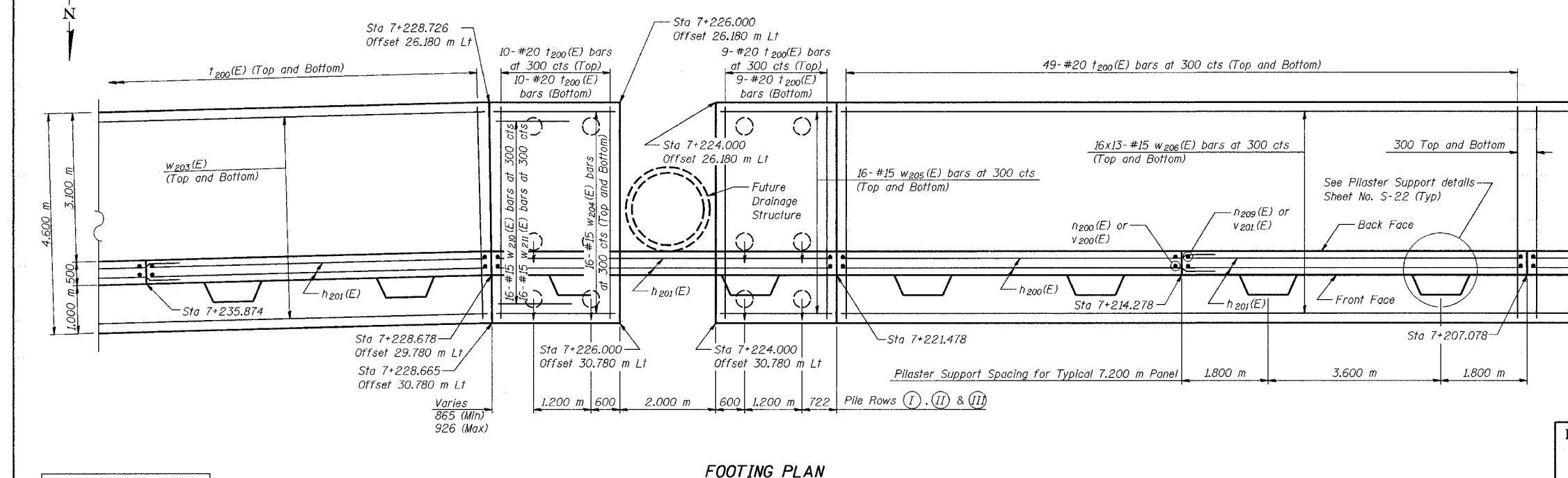


ROUTE NO.	SECTION	COUNTY	SHEETS	SHEET	SHEET NO. S-8 35 SHEETS
F.A.L. NO./74	DATE	COOK	1207	990	
ILLINOIS DEPARTMENT OF TRANSPORTATION					CONTRACT No. 62114



NOTES:
 See Sheet S-22 for Section A-A, Section B-B, Pilaster Support details, and Bill of Material.
 See Sheet S-23 for Rustication details and Expansion Joint Detail.
 Stations are referenced to \pm I-80/94.
 Reinforcement bars designated (E) shall be epoxy coated.
 All dimensions are in millimeters (mm) except as noted.
 See Electrical Drawings for Junction Box and Conduit Details.
 Bars indicated thus 20 x 3-#15 etc. indicates 20 lines of bars with 3 lengths per line.



DESIGNED	BHS
CHECKED	KFA
DRAWN	MJB
CHECKED	GSP

MINIMUM BAR LAPS
 #15 bars = 640
 #20 bars = 790
 #25 bars = 1320

LEGEND
 BF = Back Face
 FF = Front Face
 EF = Each Face

ILLINOIS DEPARTMENT OF TRANSPORTATION
 F.A.I. ROUTE 80/94 AND U.S. ROUTE 6
 LOCAL ROAD RECONSTRUCTION

PLAN AND ELEVATION (6 OF 19)
 SECTION 2001-167R
 COOK COUNTY
 STATION 6+850.000 to STATION 7+379.000
 STRUCTURE NO. 016-W874
 DATE 07/05

AMERICAN
 CONSULTING ENGINEERS

FOR INFORMATION ONLY