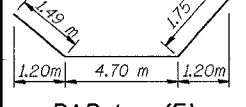
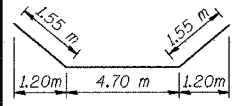


PILE DATA

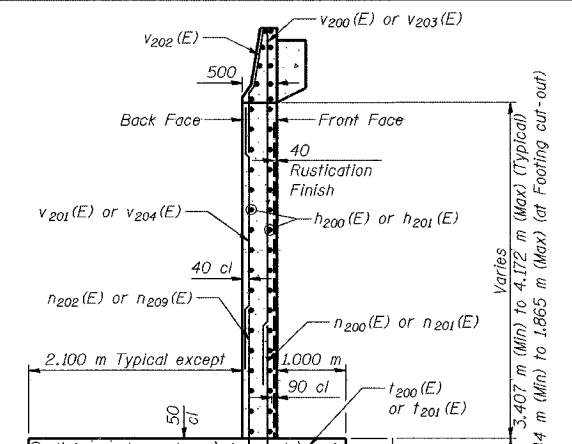
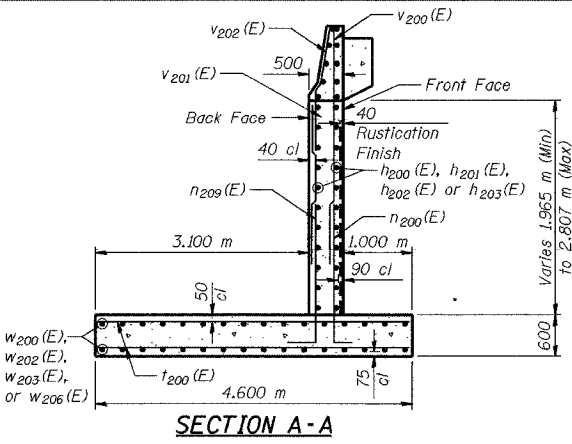
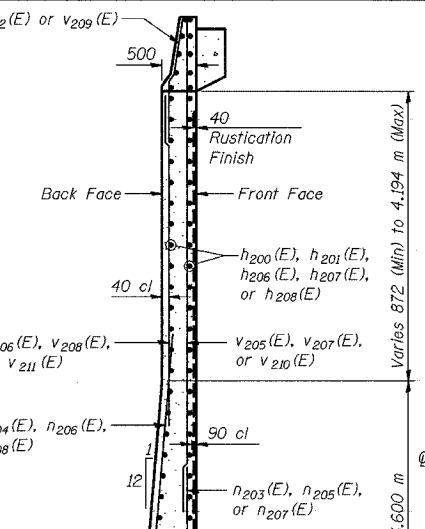
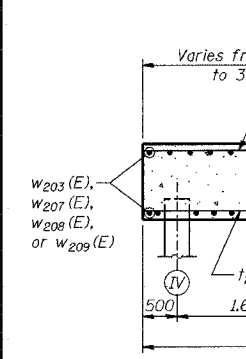
Type - 356 ϕ Metal Shell
 Capacity - 500 kN
 Est. Length - 13.7 m
 No. Req'd. - 666
 Test Piles - 7



BAR h204(E)



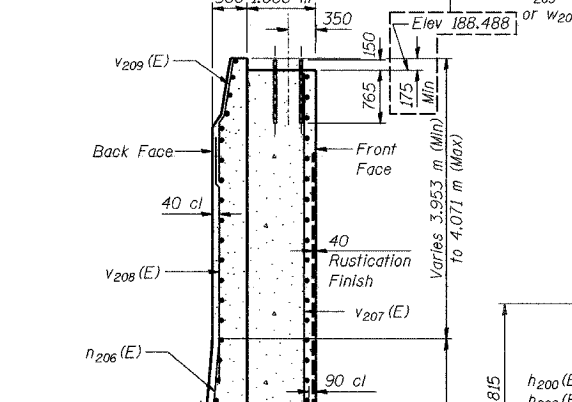
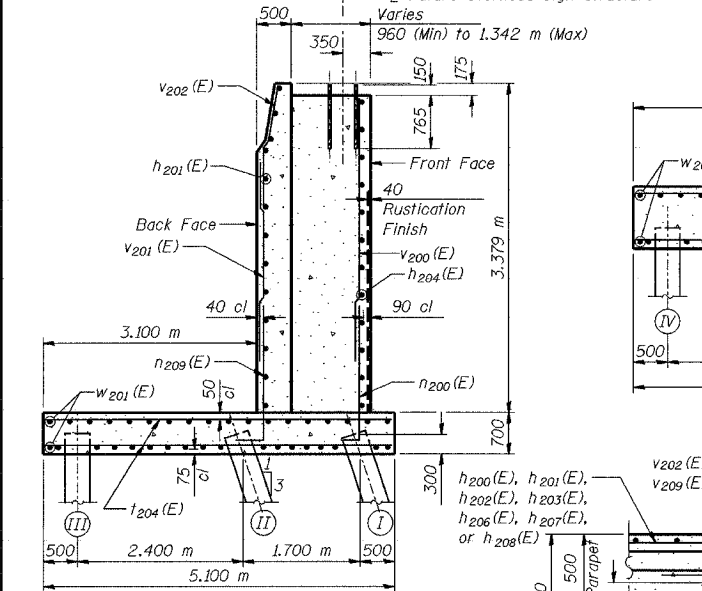
BAR h205(E)



SECTION C-C

SECTION A-A

SECTION B-B

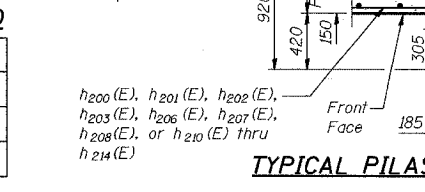


SECTION THRU PARAPET

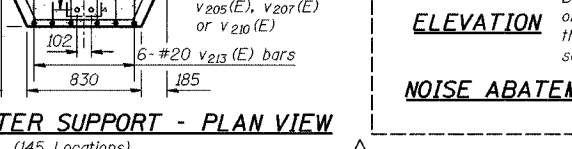
SECTION D-D

SECTION E-E

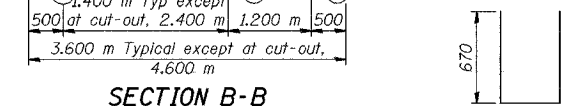
DESIGNED	BHS
CHECKED	KFA
DRAWN	MJB
CHECKED	GSP



TYPICAL PILASTER SUPPORT - PLAN VIEW



SECTION THRU PARAPET



ELEVATION

NOISE ABATEMENT WALL ANCHOR ROD ASSEMBLY

(149 Req'd)

REVISED 05-25-04 KFA

REVISED 10-22-04 MJW

MINIMUM BAR LAPS

#15 bars = 640
 #20 bars = 790
 #25 bars = 1320

BILL OF MATERIAL

Bar	No.	Size	Length (m)	Shape
h200(E)	1642	#15	7.84	—
h201(E)	968	#15	7.10	—
h202(E)	29	#15	5.74	—
h203(E)	27	#15	8.44	—
h204(E)	12	#15	7.94	—
h205(E)	27	#15	7.80	—
h206(E)	63	#15	8.77	—
h207(E)	63	#15	8.02	—
h208(E)	63	#15	2.33	—
h209(E)	16	#15	0.60	—
h210(E)	115	#15	2.30	—
h211(E)	54	#15	1.10	—
h212(E)	1	#15	1.39	—
h213(E)	1	#15	1.74	—
h214(E)	1	#15	1.13	—
h215(E)	580	#20	2.86	—
n200(E)	894	#15	2.45	L
n201(E)	150	#15	2.35	L
n202(E)	276	#20	2.41	L
n203(E)	300	#15	3.44	L
n204(E)	468	#25	5.09	L
n205(E)	227	#15	2.89	L
n206(E)	477	#25	5.49	L
n207(E)	265	#15	2.84	L
n208(E)	171	#25	5.69	L
n209(E)	1318	#20	2.51	L
t200(E)	1654	#20	4.50	—
t201(E)	145	#25	3.50	—
t202(E)	926	#30	4.90	—
t203(E)	1010	#20	4.90	—
t204(E)	61	#20	5.00	—
t205(E)	16	#20	3.82	—
t206(E)	10	#20	3.50	—
t207(E)	12	#30	4.40	—
t208(E)	14	#20	3.90	—
t209(E)	144	#20	3.50	—
v200(E)	900	#15	2.81	—
v201(E)	1328	#15	1.74	—
v202(E)	1604	#20	1.76	—
v203(E)	150	#15	4.37	—
v204(E)	276	#15	3.30	—
v205(E)	300	#15	5.44	—
v206(E)	468	#20	3.01	—
v207(E)	227	#15	6.79	—
v208(E)	243	#25	3.95	—
v209(E)	1105	#20	1.91	—
v210(E)	265	#15	7.90	—
v211(E)	394	#25	4.81	—
v212(E)	10	#20	1.74	—
v213(E)	870	#20	2.39	—
v214(E)	8	#15	0.60	—
w200(E)	256	#15	6.39	—
w201(E)	36	#15	7.10	—
w202(E)	32	#15	9.19	—
w203(E)	684	#15	8.57	—
w204(E)	32	#15	2.56	—
w205(E)	32	#15	2.42	—
w206(E)	416	#15	6.34	—
w207(E)	372	#15	7.84	—
w208(E)	108	#15	7.60	—
w209(E)	360	#15	8.27	—
w210(E)	32	#15	1.54	—
w211(E)	32	#15	2.37	—
w212(E)	16	#15	2.34	—
w213(E)	16	#15	2.94	—
w214(E)	31	#15	2.14	—
w215(E)	31	#15	2.80	—
w216(E)	18	#15	2.65	—
Test Pile Metal Shells	Each		7	
Structure Excavation	m ³		15,280	
Concrete Structures	m ³		3,418.0	
Protective Coat	m ²		3,758	
Reinforcement Bars, Epoxy Coated	kg		231,070	
Furnishing Metal Pile Shells, 356 ϕ	m		9,124.0	
Driving and Filling Shells	m		9,124.0	
Geocomposite Wall Drain	m ²		2,195	
Pipe Underdrains for Structures 150 mm	m		537.0	
Overhead Sign Structure - Span, Anchor Rod Assembly	Each		4	
Noise Abatement Wall Anchor Rod Assembly	Each		149	

BILL OF MATERIAL

Bar	No.	Size	Length (m)	Shape
w200(E)	256	#15	6.39	—
w201(E)	36	#15	7.10	—
w202(E)	32	#15	9.19	—
w203(E)	684	#15	8.57	—
w204(E)	32	#15	2.56	—
w205(E)	32	#15	2.42	—
w206(E)	416	#15	6.34	—
w207(E)	372	#15	7.84	—
w208(E)	108	#15	7.60	—
w209(E)	360	#15	8.27	—
w210(E)	32	#15	1.54	—
w211(E)	32	#15	2.37	—
w212(E)	16	#15	2.34	—
w213(E)	16	#15	2.94	—
w214(E)	31	#15	2.14	—
w215(E)	31	#15	2.80	—
w216(E)	18	#15	2.65	—

BAR DIMENSIONS

Bar	A	B
n200(E)	2.19m	260
n201(E)	2.09m	260
n202(E)	2.09m	320
n203(E)	3.18m	260
n204(E)	4.69m	400
n205(E)	2.63m	260
n206(E)	5.09m	400
n207(E)	2.58m	260
n208(E)	5.29m	400
n209(E)	2.19m	320
w210(E)	770	---
w211(E)	770	1.09m
w212(E)	1.17m	---
w213(E)	1.17m	1.66m
w214(E)	1.07m	---
w215(E)	1.07m	1.52m
w216(E)	970	1.37m

BAR v212(E)

BARS v202(E) or v203(E)

BARS v202(E) or v203(E)

BAR v213(E)

BARS w210(E), w212(E) or w214(E)

BARS n200(E) thru n209(E)

BARS w210(E), w212(E) or w214(E)

BARS t205(E) or t207(E)

BARS t205(E) or t207(E)

BARS t205(E) or t207(E)

BARS t205(E) or t207(E)

BARS t205(E) or t207(E)

BARS t205(E) or t207(E)

BARS t205(E) or t207(E)

BARS t205(E) or t207(E)

BARS t205(E) or t207(E)

BARS t205(E) or t207(E)

BARS t205(E) or t207(E)

BARS t205(E) or t207(E)

BARS t205(E) or t207(E)

BARS t205(E) or t207(E)

BARS t205(E) or t207(E)

BARS t205(E) or t207(E)

BARS t205(E) or t207(E)

BARS t205(E) or t207(E)

BARS t205(E) or t207(E)

BARS t205(E) or t207(E)

BARS t205(E) or t207(E)

BARS t205(E) or t207(E)

BARS t205(E) or t207(E)

BARS t205(E) or t207(E)

BARS t205(E) or t207(E)

BARS t205(E) or t207(E)

ILLINOIS DEPARTMENT OF TRANSPORTATION

F.A.I. ROUTE 80/94 AND U.S. ROUTE 6
 LOCAL ROAD RECONSTRUCTION

WALL SECTIONS AND DETAILS
 SECTION 2001-167R
 COOK COUNTY

STATION 6+850.000 TO STATION 7+379.000
 STRUCTURE NO. 016-W874

DATE 07/05

AMERICAN CONSULTING ENGINEERS

FOR INFORMATION ONLY