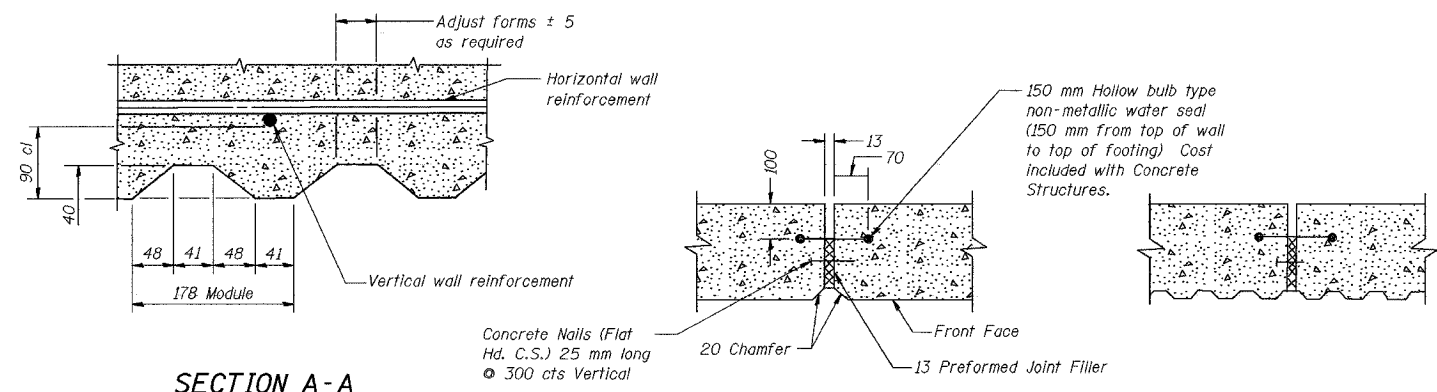
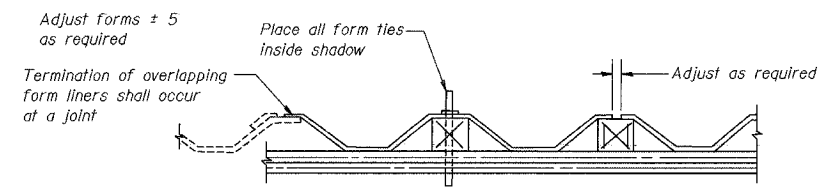


FRONT FACE ELEVATION-TYPICAL ARCHITECTURAL FINISH

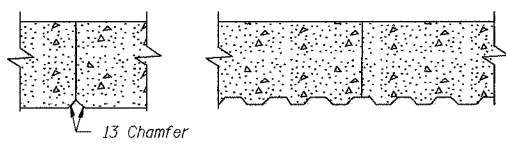


SECTION A-A

EXPANSION JOINT DETAIL



SUGGESTED FORMWORK DETAIL



CONSTRUCTION JOINT DETAIL

RUSTICATION LIMITS

STATION	TOP OF WALL ELEVATION	BOTTOM OF RUSTICATION ELEVATION	STATION	TOP OF WALL ELEVATION	BOTTOM OF RUSTICATION ELEVATION
6+850.000	188.894	181.734	7+178.278	183.863	182.549
6+852.433	188.873	181.746	7+185.478	183.815	182.553
6+860.556	188.802	181.813	7+192.678	183.773	182.549
6+868.678	188.726	181.875	7+199.878	183.738	182.536
6+875.878	188.654	181.910	7+207.078	183.710	182.515
6+883.078	188.578	181.933	7+214.278	183.687	182.489
6+890.278	188.497	181.946	7+221.478	183.665	182.463
6+897.478	188.412	181.948	7+228.678	183.644	182.443
6+904.678	188.323	181.938	7+235.874	183.614	182.430
6+911.878	188.230	181.917	7+243.072	183.585	182.424
6+919.078	188.133	181.889	7+250.269	183.556	182.427
6+926.278	188.031	181.862	7+257.467	183.527	182.441
6+933.478	187.926	181.835	7+264.664	183.507	182.459
6+940.678	187.815	181.806	7+271.862	183.497	182.479
6+947.878	187.701	181.779	7+279.059	183.493	182.497
6+955.078	187.583	181.751	7+286.257	183.493	182.516
6+962.278	187.460	181.723	7+293.454	183.500	182.531
6+969.478	187.333	181.696	7+300.652	183.509	182.536
6+976.678	187.202	181.668	7+309.170	183.509	182.533
6+983.878	187.067	181.640	7+316.347	183.509	182.519
6+991.078	186.929	181.613	7+323.524	183.509	182.496
6+998.278	186.791	181.585	7+330.701	183.654	182.463
7+005.478	186.653	181.558	7+337.901	183.668	182.426
7+012.678	186.515	181.537	7+345.101	183.680	182.383
7+019.878	186.376	181.528	7+352.301	183.692	182.336
7+027.078	186.238	181.531	7+359.501	183.701	182.288
7+034.278	186.100	181.544	7+366.701	183.709	182.349
7+041.478	185.962	181.568	7+373.901	183.734	182.409
7+048.678	185.824	181.603	7+379.000	183.752	182.452
7+055.878	185.686	181.650			
7+063.078	185.548	181.707			
7+070.278	185.410	181.771			
7+077.478	185.272	181.836			
7+084.678	185.134	181.901			
7+091.878	184.996	181.966			
7+099.078	184.863	182.030			
7+106.278	184.737	182.094			
7+113.478	184.619	182.159			
7+120.678	184.507	182.224			
7+127.878	184.402	182.289			
7+135.078	184.304	182.350			
7+142.278	184.213	182.404			
7+149.478	184.129	182.450			
7+156.678	184.052	182.487			
7+163.878	183.982	182.516			
7+171.078	183.919	182.536			

BILL OF MATERIAL

Item	Unit	Total
Rustication Finish	m ²	1731

Note: All dimensions are in millimeters (mm) unless otherwise noted.

DESIGNED	BHS
CHECKED	KFA
DRAWN	MJB
CHECKED	GSP

ILLINOIS DEPARTMENT OF TRANSPORTATION
 F.A.I. ROUTE 80/94 AND U.S. ROUTE 6
 LOCAL ROAD RECONSTRUCTION

RUSTICATION FINISH DETAILS
 SECTION 2001-167R
 COOK COUNTY
 STATION 6+850.000 to STATION 7+379.000
 STRUCTURE NO. 016-W874

DATE 07/05

AMERICAN
 CONSULTING ENGINEERS

FOR INFORMATION ONLY