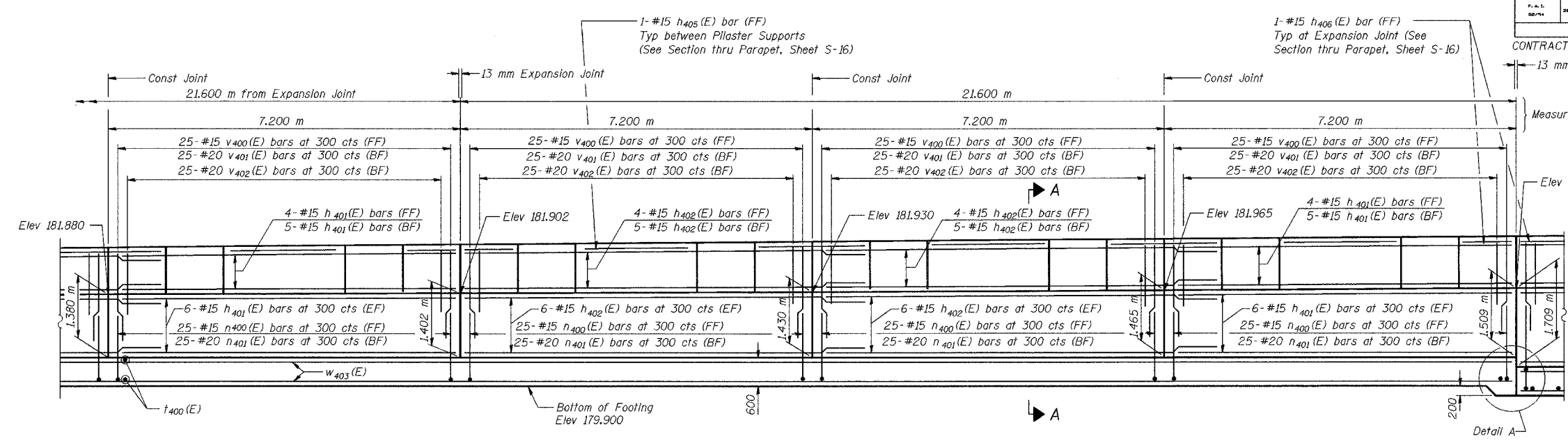
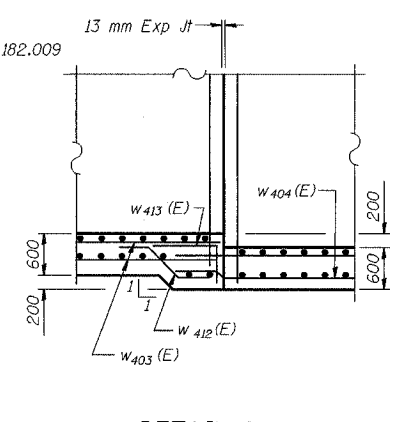


ROUTE NO.	SECTION	COUNTY	SHEETS	SHEET	SHEET NO. S-4
2626.2-R-2	LAKE COUNTY, INDIANA	1207	1021	25 SHEETS	
CONTRACT NO. 62114		INDOT DES. NO. 0100987			

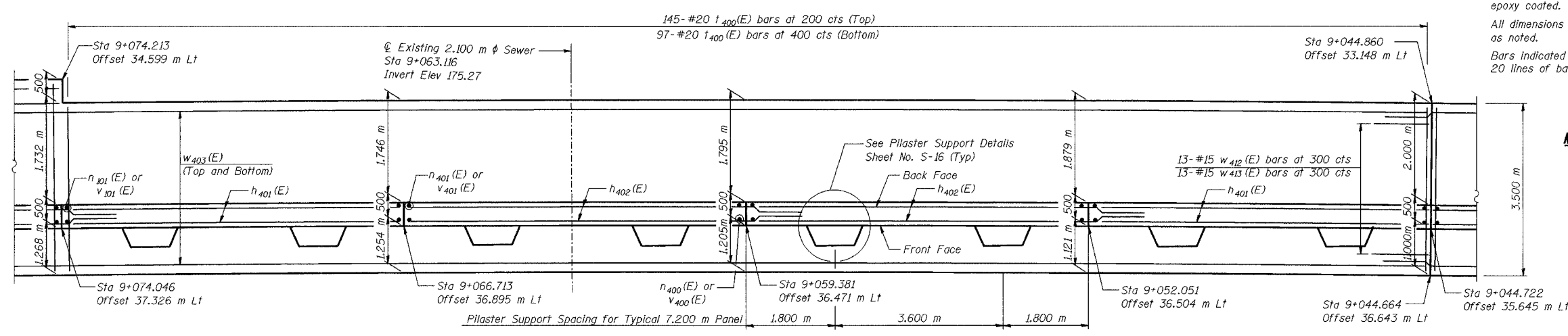


**ELEVATION**



**DETAIL A**

**NOTES:**  
 See Sheet S-16 for Section A-A.  
 See Sheet S-17 for Expansion Joint Detail and Bill of Material.  
 See Sheet S-18 for Rustication details.  
 Stations are referenced to  $\phi$  I-80/94.  
 Reinforcement bars designated (E) shall be epoxy coated.  
 All dimensions are in millimeters (mm) except as noted.  
 Bars indicated thus 20 x 3-#15 etc. Indicates 20 lines of bars with 3 lengths per line.



**FOOTING PLAN**

**MINIMUM BAR LAPS**

#15 bars = 640  
 #20 bars = 790

**LEGEND**

BF = Back Face  
 FF = Front Face  
 EF = Each Face

DESIGNED	KFA
CHECKED	BPS
DRAWN	MJB
CHECKED	GSP

ILLINOIS DEPARTMENT OF TRANSPORTATION  
 I-80/94/US 6  
 KINGERY-BORMAN EXPRESSWAY  
 BURNHAM ROAD TO US 41

**PLAN AND ELEVATION (2 OF 13)**  
**SECTION 2626.2-R-2**  
**LAKE COUNTY, INDIANA**  
**STATION 8+762.750 TO STATION 9+101.839**  
**STRUCTURE NO. 016-W915**

DATE 09/05

**AMERICAN**  
 CONSULTING ENGINEERS