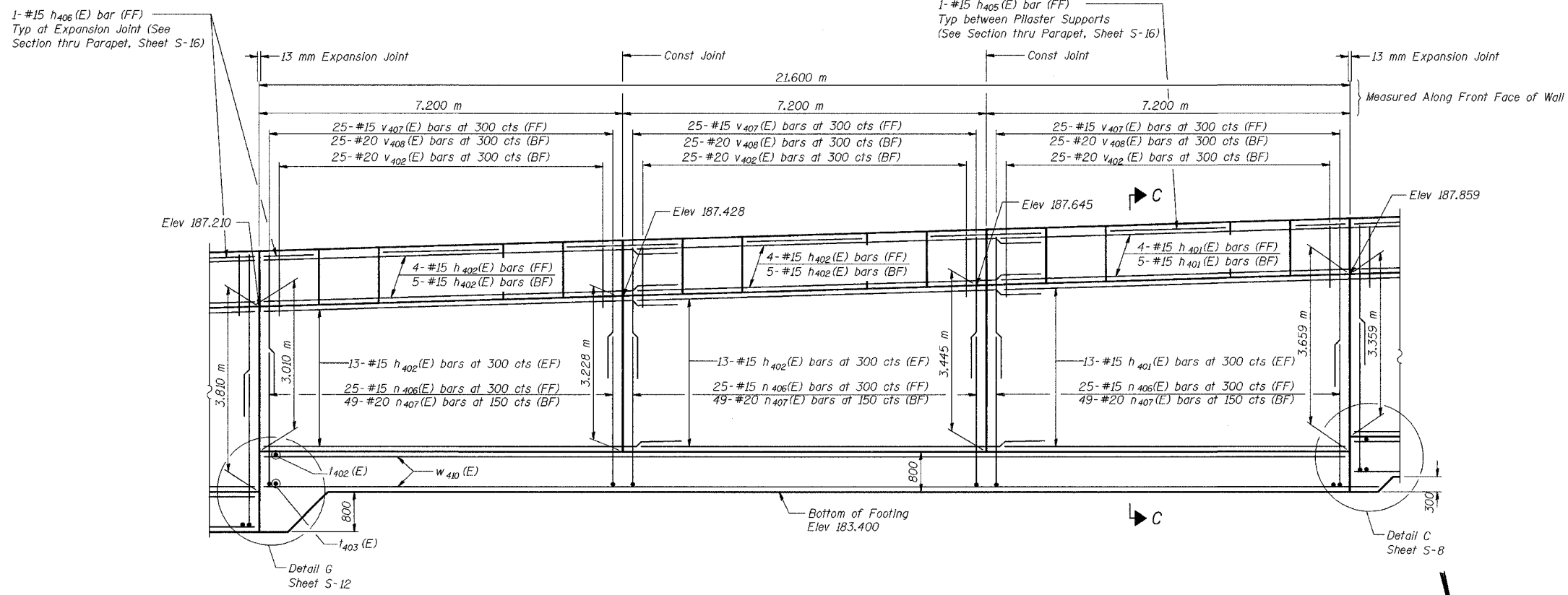


ROUTE NO.	SECTION	COUNTY	SHEET	SHEET
F.A.T.	2626.2-R-2	LAKE COUNTY, INDIANA	1207	1031
DATE				

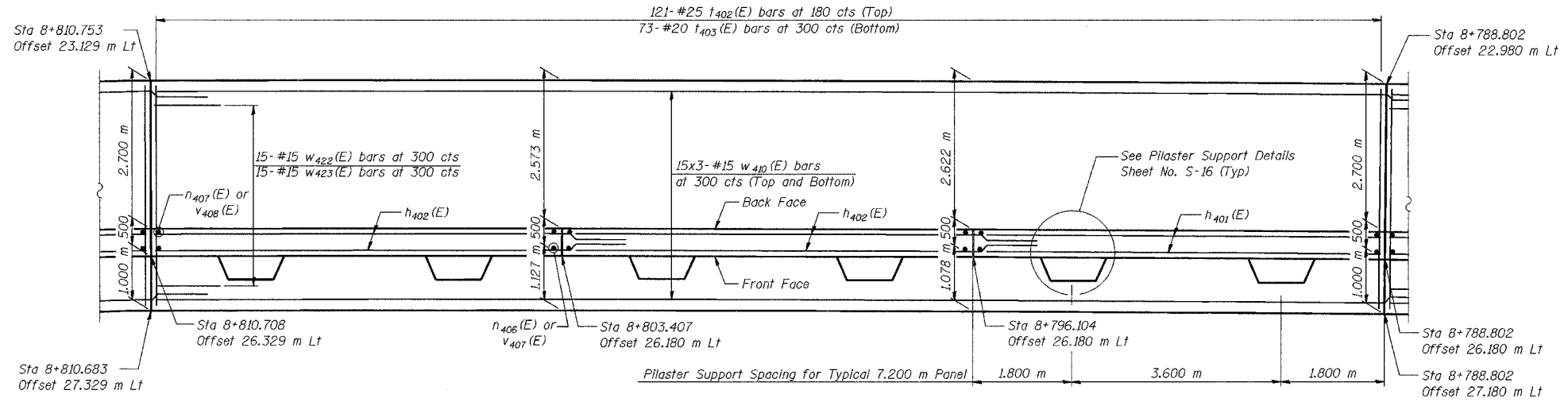
SHEET NO. S-14
25 SHEETS

CONTRACT NO. 62114 INDOT DES. NO. 0100987



ELEVATION

NOTES:
See Sheet S-16 for Section C-C.
See Sheet S-17 for Expansion Joint Detail and Bill of Material.
See Sheet S-18 for Rustication details.
Stations are referenced to CL I-80/94 .
Reinforcement bars designated (E) shall be epoxy coated.
All dimensions are in millimeters (mm) except as noted.
Bars indicated thus 20 x 3-#15 etc. indicates 20 lines of bars with 3 lengths per line.



FOOTING PLAN

MINIMUM BAR LAPS

#15 bars = 640
#20 bars = 790

LEGEND

BF = Back Face
FF = Front Face
EF = Each Face

DESIGNED	KFA
CHECKED	BPS
DRAWN	MJB
CHECKED	GSP

ILLINOIS DEPARTMENT OF TRANSPORTATION
I-80/94/US 6
KINGERY-BORMAN EXPRESSWAY
BURNHAM ROAD TO US 41

PLAN AND ELEVATION (12 OF 13)
SECTION 2626.2-R-2
LAKE COUNTY, INDIANA
STATION 8+762.750 TO STATION 9+101.839
STRUCTURE NO. 016-W915

DATE 09/05

AMERICAN
CONSULTING ENGINEERS