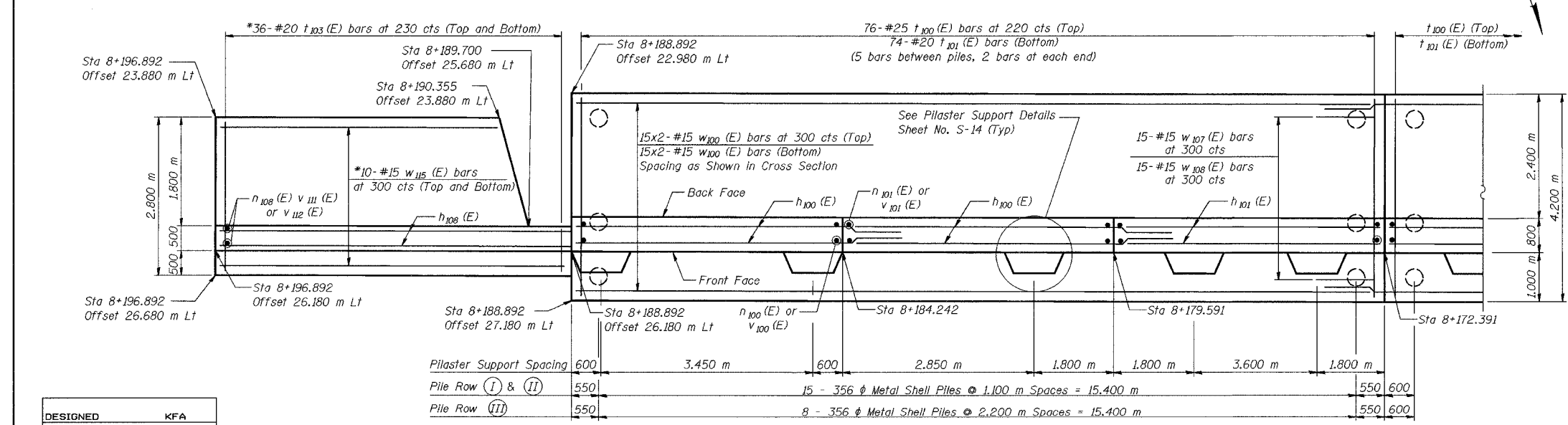
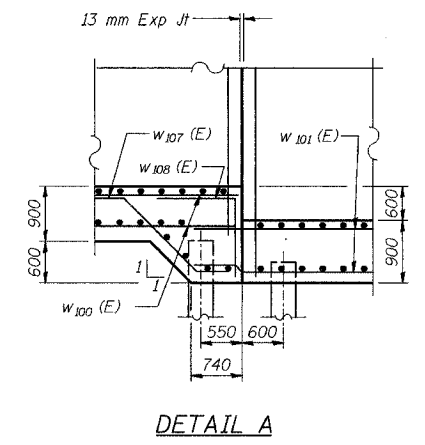
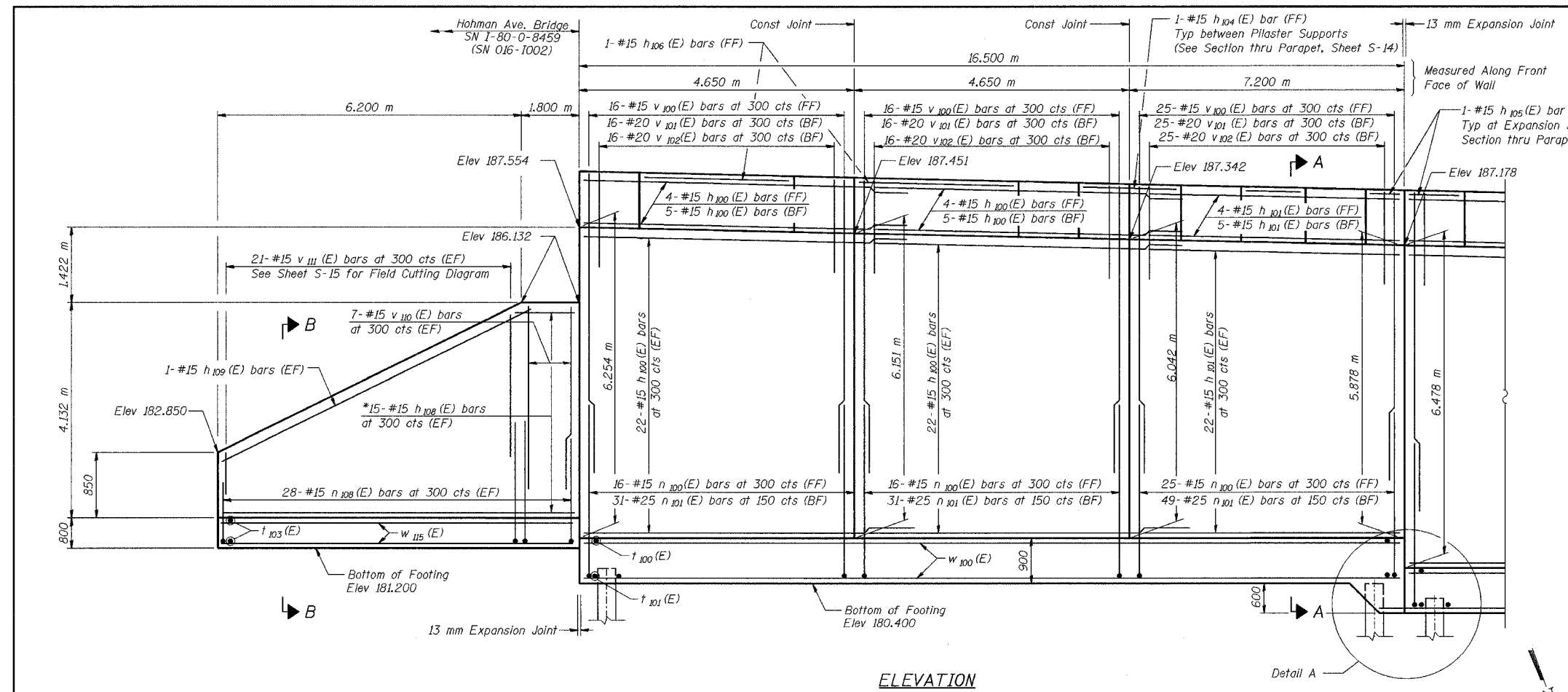


ROUTE NO.	SECTION	COUNTY	SHEET NO.	SHEET	SHEET NO. S-3
1-80-0-8459	2626.2-R-2	LAKE COUNTY, INDIANA	1207	1045	20 SHEETS
CONTRACT NO. 62114		INDOT DES. NO. 0100987			



NOTES:

See Sheet S-14 for Section A-A and Section B-B.
 See Sheet S-15 for Expansion Joint Detail and Bill of Material.
 See Sheet S-16 for Rustication details.
 Stations are referenced to \odot I-80/94.
 Reinforcement bars designated (E) shall be epoxy coated.
 All dimensions are in millimeters (mm) except as noted.
 Bars indicated thus 20 x 3-#15 etc. indicates 20 lines of bars with 3 lengths per line.
 * Cut to Fit

DESIGNED	KFA
CHECKED	BPS
DRAWN	MJB
CHECKED	GSP

MINIMUM BAR LAPS

#15 bars = 640
 #20 bars = 790

LEGEND

BF = Back Face
 FF = Front Face
 EF = Each Face

ILLINOIS DEPARTMENT OF TRANSPORTATION
 I-80/94/US 6
 KINGERY-BORMAN EXPRESSWAY
 BURNHAM ROAD TO US 41

PLAN AND ELEVATION (1 OF 11)
SECTION 2626.2-R-2
LAKE COUNTY, INDIANA
STATION 7+945.232 TO STATION 8+196.892
STRUCTURE NO. 016-W919

DATE 09/05

AMERICAN
 CONSULTING ENGINEERS