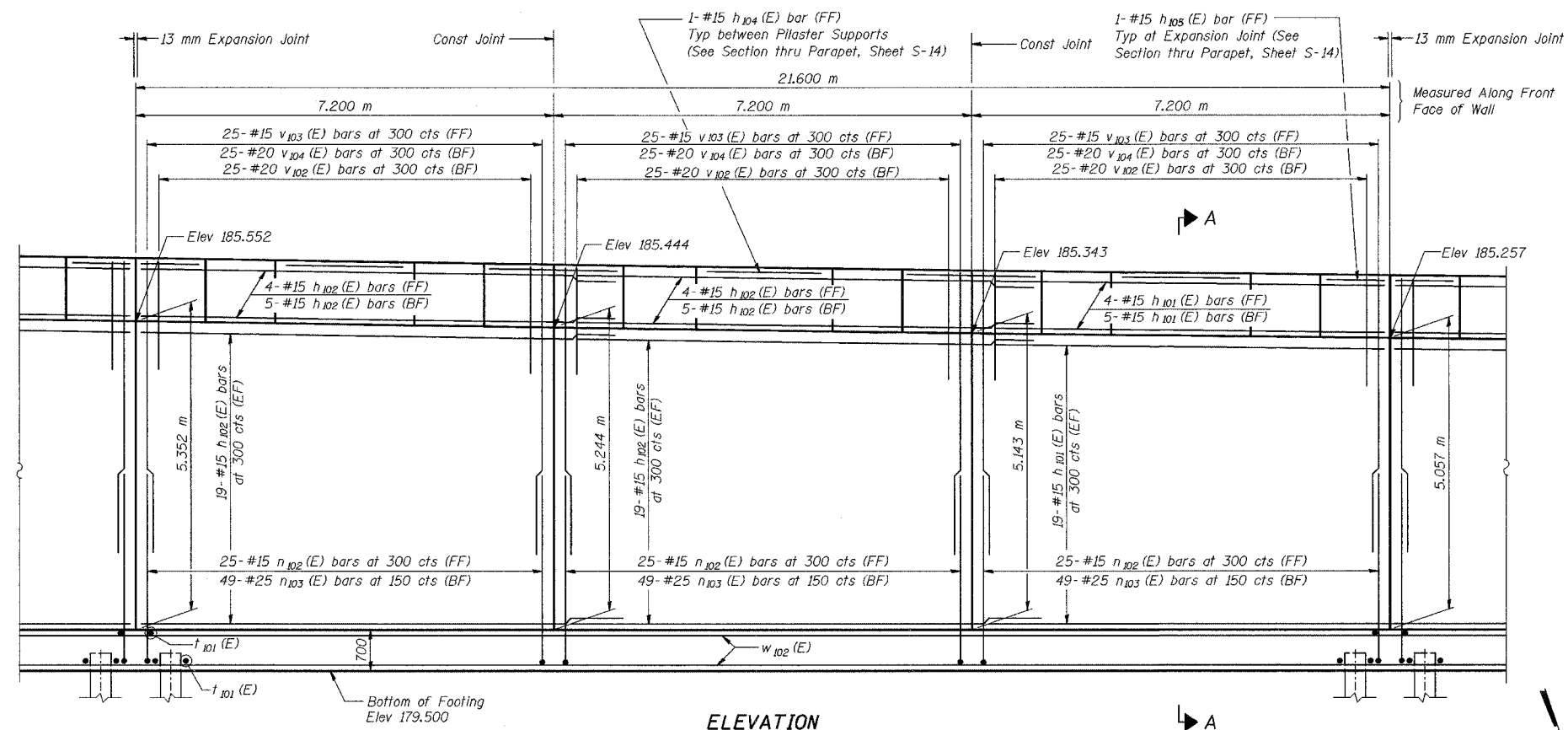
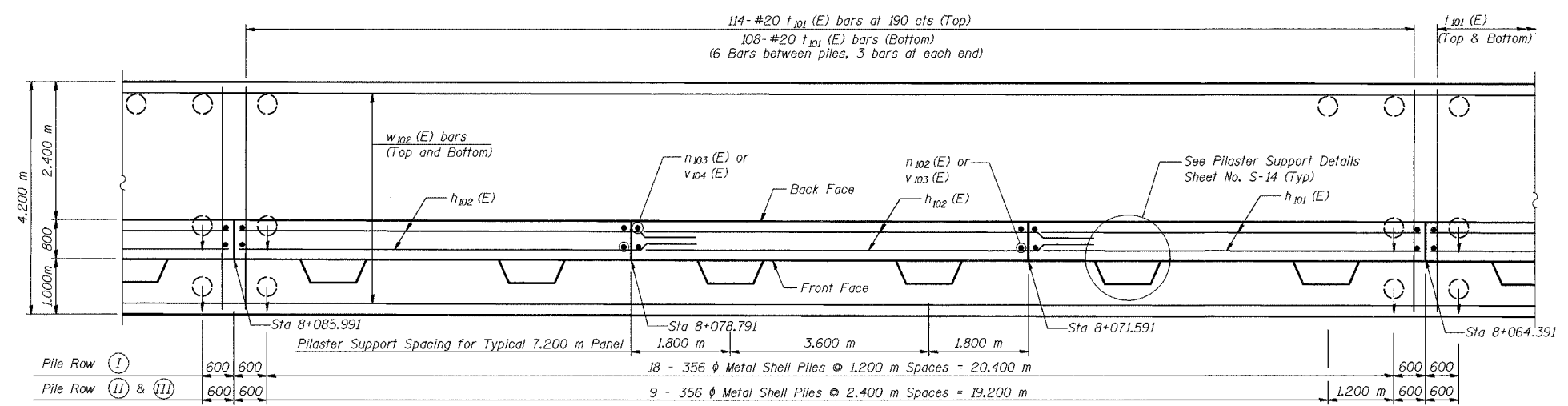


ROUTE NO.	SECTION	COUNTY	SHEET NO.	SHEET TOTAL
100-14	2626.2-R-2	LAKE COUNTY, INDIANA	1207	1050
SHEET NO. S-8		20 SHEETS		

CONTRACT NO. 62114 INDOT DES. NO. 0100987



ELEVATION



FOOTING PLAN

DESIGNED	KFA
CHECKED	BPS
DRAWN	MJB
CHECKED	GSP

MINIMUM BAR LAPS

#15 bars = 640
#20 bars = 790

LEGEND

BF = Back Face
FF = Front Face
EF = Each Face

NOTES:
See Sheet S-14 for Section A-A.
See Sheet S-15 for Expansion Joint Detail and Bill of Material.
See Sheet S-16 for Rustication details.
Stations are referenced to § I-80/94.
Reinforcement bars designated (E) shall be epoxy coated.
All dimensions are in millimeters (mm) except as noted.
Bars indicated thus 20 x 3-#15 etc. indicates 20 lines of bars with 3 lengths per line.

ILLINOIS DEPARTMENT OF TRANSPORTATION
I-80/94/US 6
KINGERY-BORMAN EXPRESSWAY
BURNHAM ROAD TO US 41

PLAN AND ELEVATION (6 OF 11)
SECTION 2626.2-R-2
LAKE COUNTY, INDIANA
STATION 7+945.232 TO STATION 8+196.892
STRUCTURE NO. 016-W919

DATE 09/05

AMERICAN
CONSULTING ENGINEERS