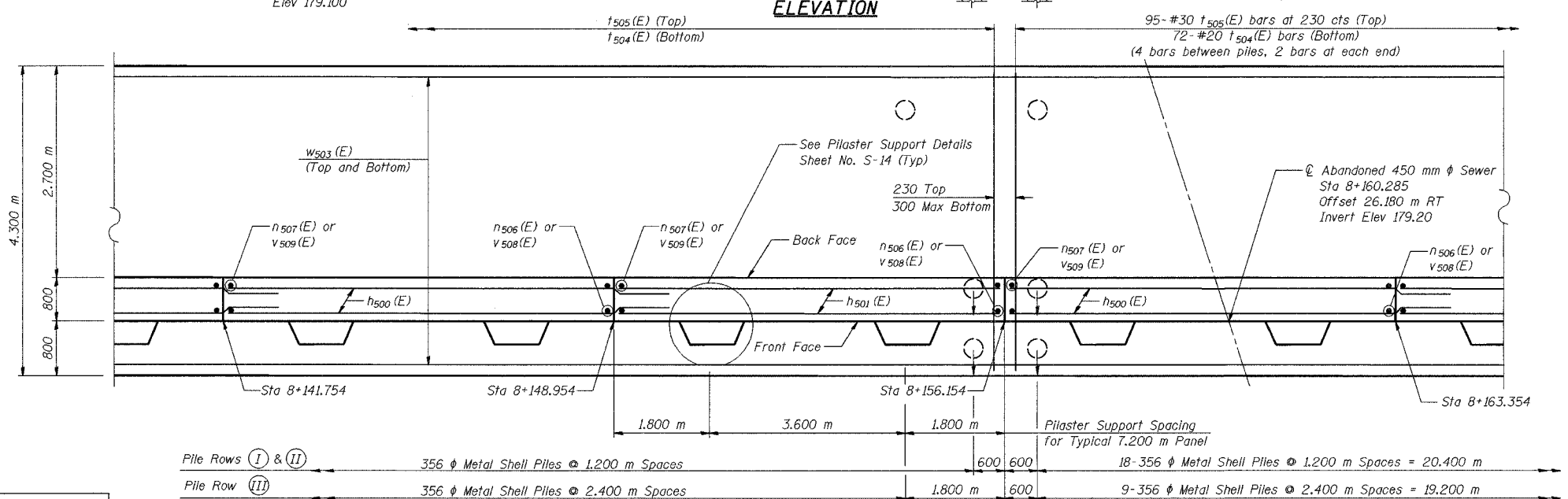
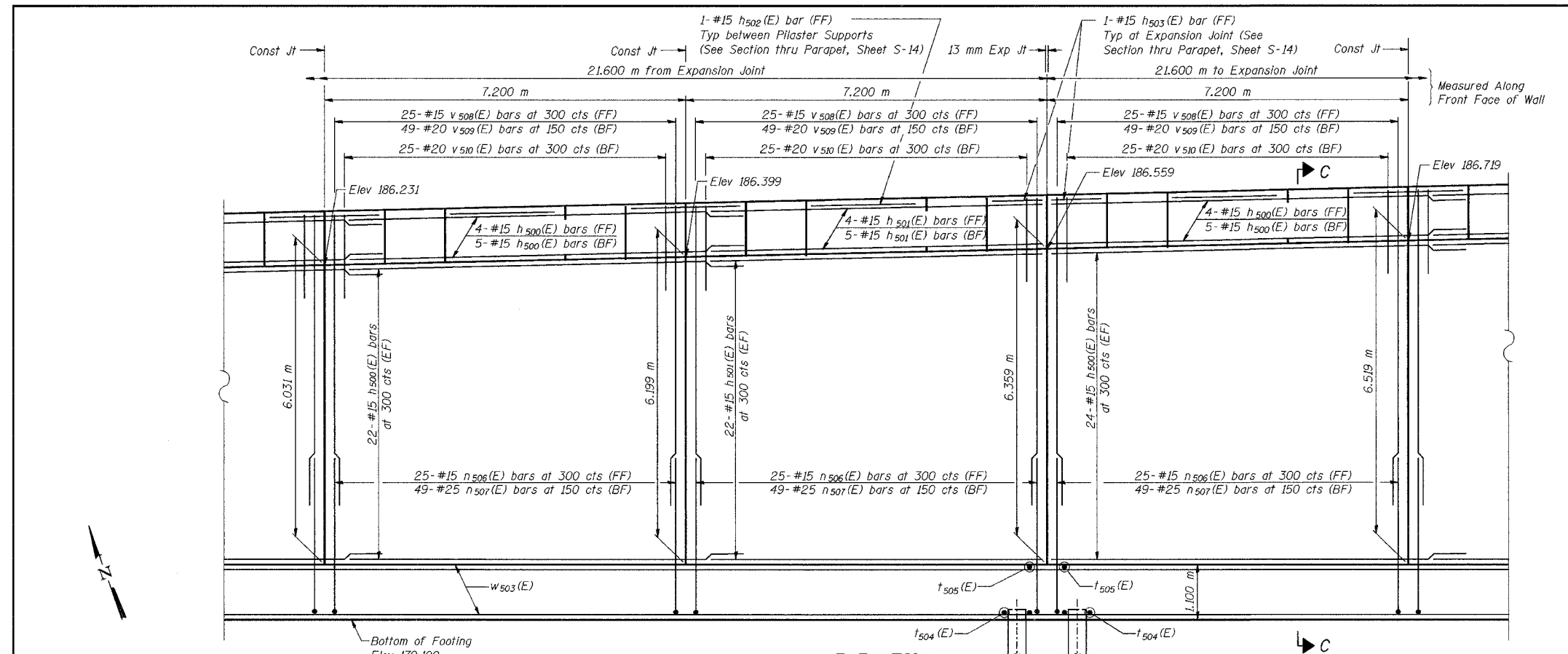


ROUTE NO.	SECTION	COUNTY	SHEET	SHEET NO. S-11
66-74	2626.2-R-1	LAKE COUNTY, INDIANA	1207	1073
BLDG. NO.		INDOT PROJ. NO.		
CONTRACT NO. 62114		INDOT DES. NO. 0100987		



DESIGNED	MJW
CHECKED	KFA
DRAWN	MJB
CHECKED	GSP

FOOTING PLAN

MINIMUM BAR LAPS
 #15 bars = 640
 #20 bars = 790

LEGEND
 BF = Back Face
 FF = Front Face
 EF = Each Face

NOTES:
 See Sheet S-14 for Section C-C, Expansion Joint Detail, and Bill of Material.
 See Sheet S-15 for Rustication details.
 Stations are referenced to Δ I-80/94.
 Reinforcement bars designated (E) shall be epoxy coated.
 All dimensions are in millimeters (mm) except as noted.

ILLINOIS DEPARTMENT OF TRANSPORTATION
 I-80/94/US 6
 KINGERY-BORMAN EXPRESSWAY
 BURNHAM ROAD TO US 41
PLAN AND ELEVATION (9 OF 11)
 SECTION 2626.2-R-1
 LAKE COUNTY, INDIANA
 STATION 7+960.424 TO STATION 8+199.354
 STRUCTURE NO. 016-W922
 DATE 07/05
AMERICAN
 CONSULTING ENGINEERS

FOR INFORMATION ONLY