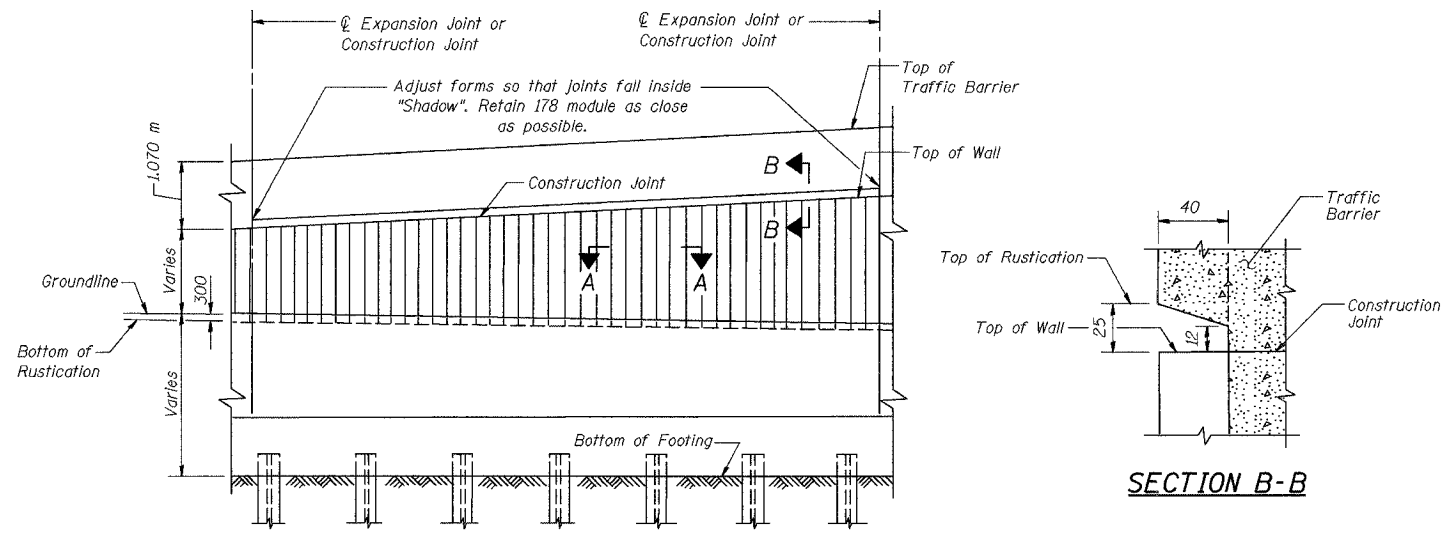


**PHASE 2  
RUSTICATION LIMITS**

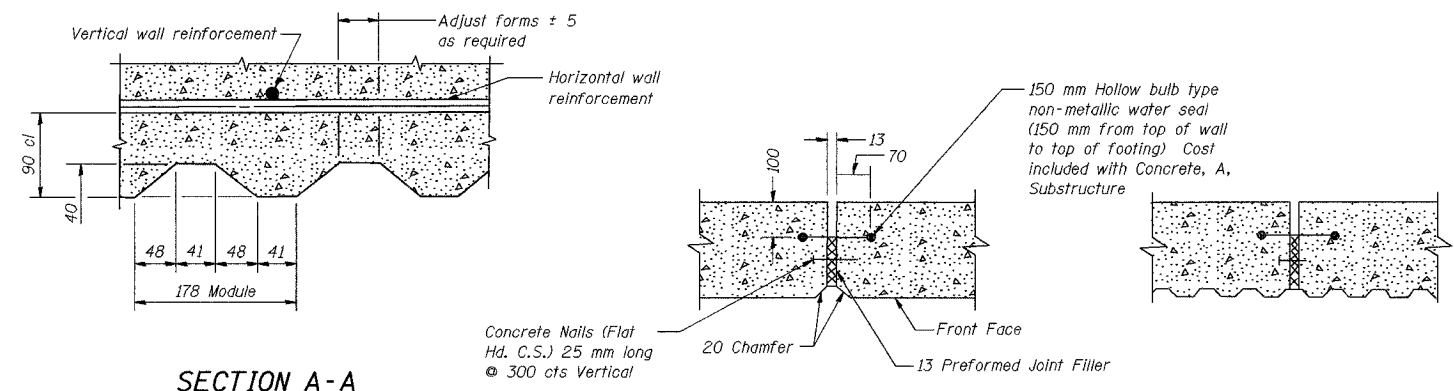
STATION	TOP OF WALL ELEVATION	BOTTOM OF RUSTICATION ELEVATION
7+960.424	183.413	180.500
7+967.724	183.434	180.500
7+975.023	183.460	180.500
7+982.322	183.493	180.500
7+989.622	183.533	180.500
7+996.921	183.580	180.500
8+004.220	183.634	180.500
8+011.520	183.694	180.500
8+018.819	183.762	180.500
8+026.118	183.836	180.500
8+033.418	183.926	180.500
8+040.717	184.064	180.500
8+048.017	184.201	180.500
8+055.316	184.342	180.500
8+062.554	184.481	180.500
8+069.754	184.624	180.500
8+076.954	184.764	180.500
8+084.154	184.912	180.500
8+091.354	185.066	180.500
8+098.554	185.226	180.500
8+105.754	185.393	180.500
8+112.954	185.561	180.500
8+120.154	185.728	180.500
8+127.354	185.896	180.500
8+134.554	186.064	180.500
8+141.754	186.231	180.500
8+148.954	186.399	180.500
8+156.154	186.559	180.500
8+163.354	186.719	180.500
8+170.554	186.879	180.500
8+177.754	187.037	180.500
8+177.754	187.037	181.400
8+184.954	187.195	181.400
8+192.154	187.354	181.400
8+199.354	187.512	181.400

**PHASE 3  
RUSTICATION LIMITS**

STATION	TOP OF WALL ELEVATION	BOTTOM OF RUSTICATION ELEVATION
8+199.354	187.512	181.400
8+207.563	187.684	181.400
8+207.563	186.254	182.100
8+209.363	186.254	182.100
8+217.063	182.550	182.100

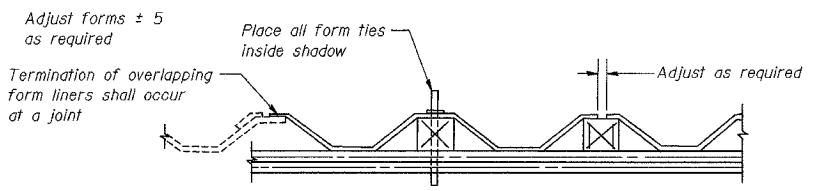


**FRONT FACE ELEVATION-TYPICAL ARCHITECTURAL FINISH**

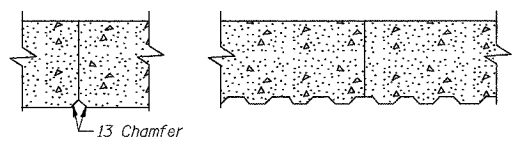


**SECTION A-A**

**EXPANSION JOINT DETAIL**



**SUGGESTED FORMWORK DETAIL**



**CONSTRUCTION JOINT DETAIL**

DESIGNED	KFA
CHECKED	BPS
DRAWN	MJB
CHECKED	GSP

**BILL OF MATERIAL**

Item	Unit	Phase 2 Total	Phase 3 Total
Rustication Finish	m <sup>2</sup>	1,061	76

Note: All dimensions are in millimeters (mm) unless otherwise noted.

ILLINOIS DEPARTMENT OF TRANSPORTATION  
I-80/94/US 6  
KINGERY-BORMAN EXPRESSWAY  
BURNHAM ROAD TO US 41

**RUSTICATION FINISH DETAILS**  
SECTION 2626.2-R-1  
LAKE COUNTY, INDIANA  
STATION 8+199.354 TO STATION 8+215.315  
STRUCTURE NO. 016-W922

DATE 09/05

