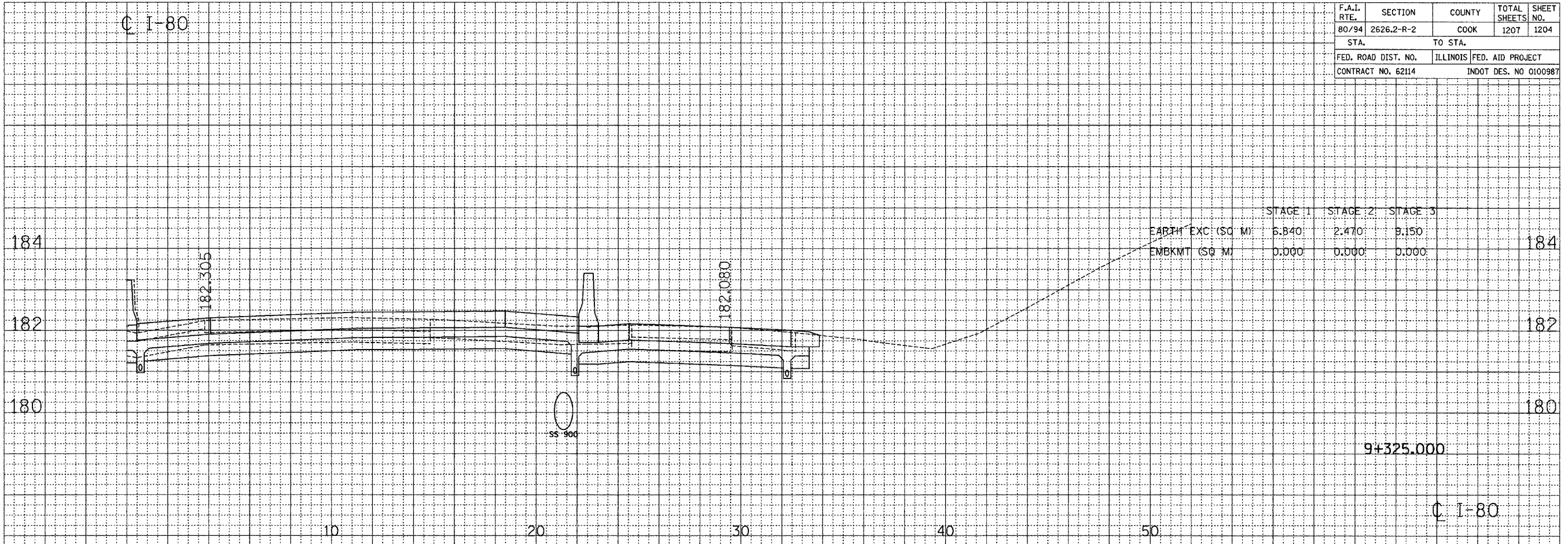
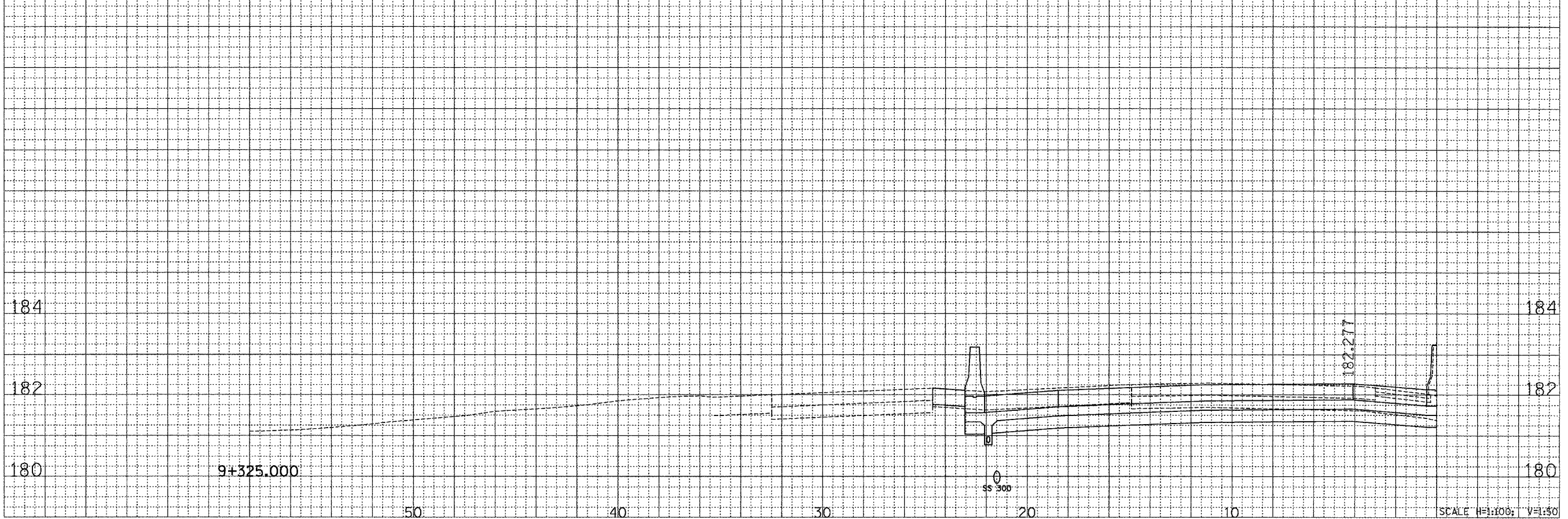


F.A.I. RTE. 80/94	SECTION 2626.2-R-2	COUNTY COOK	TOTAL SHEETS 1207	SHEET NO. 1204
STA.		TO STA.		
FED. ROAD DIST. NO.		ILLINOIS FED. AID PROJECT		
CONTRACT NO. 62114		INDOT DES. NO 0100987		

BY	DATE
FINAL SURVEY	SURVEYED
NOTE BOOK NO.	PLOTTED DATE
	AREAS CHECKED



BY	DATE
ORIGINAL SURVEY	SURVEYED
NOTE BOOK NO.	PLOTTED DATE
	AREAS CHECKED



CROSS SECTION - I-80/94/US 6

...:\projects\680031a.rds 06/12/2005 07:13:55 AM