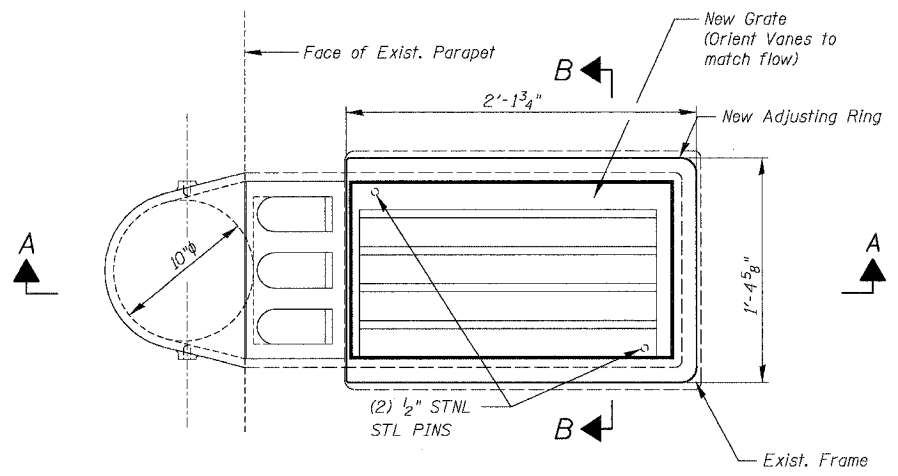


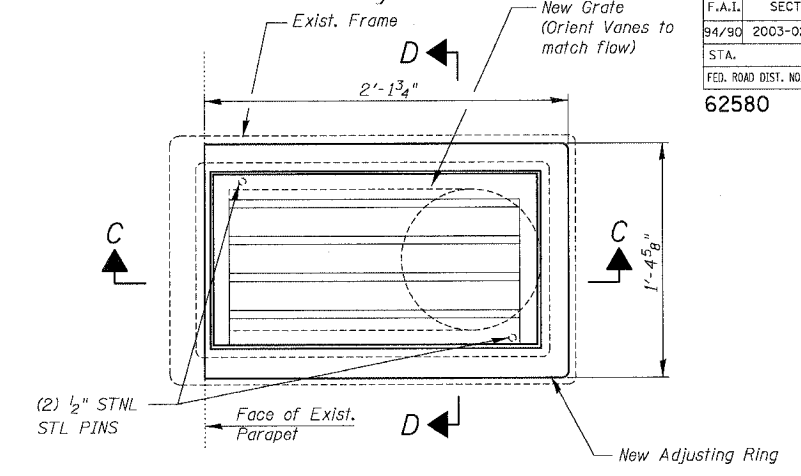
Pages 234-306 NOT USED

F.A.I.	SECTION	COUNTY	TOTAL SHEETS	SHEET NO.
94/90	2003-028F	COOK	419	307
STA.	TO STA.			
FED. ROAD DIST. NO.	ILLINOIS FED. AID PROJECT			
62580				

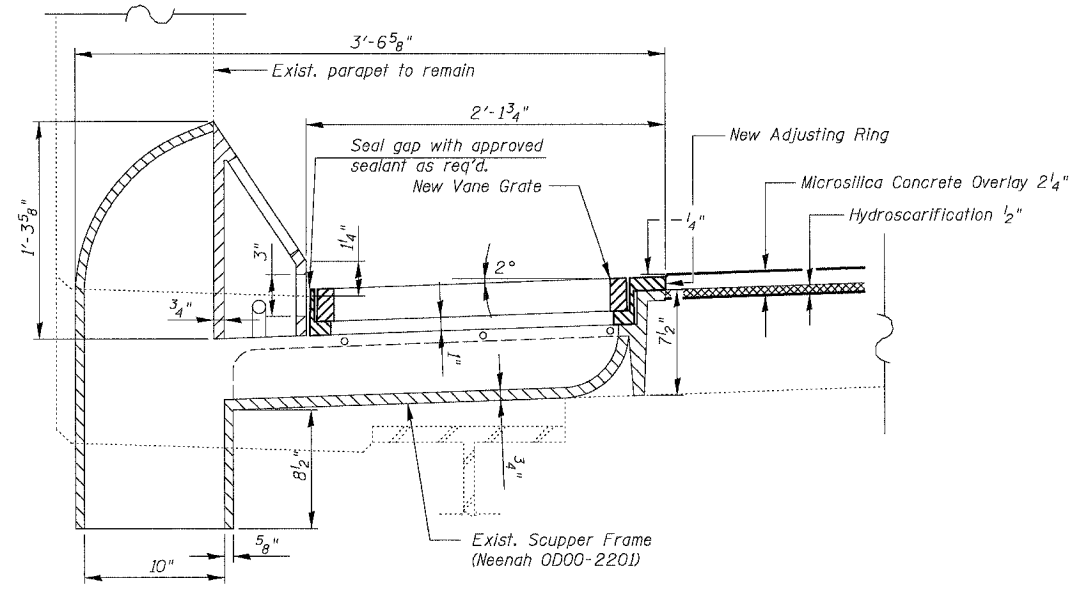


PLAN TYPE A SCUPPER

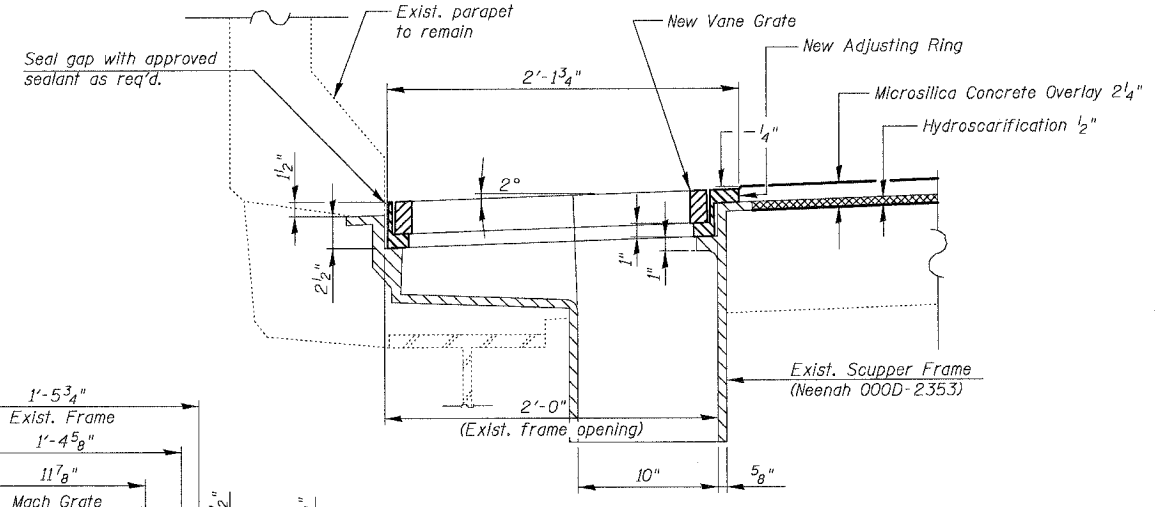
**Notes:**  
 For additional notes and Bill of Material, see Sheet 308.  
 All cast iron parts shall be gray iron conforming to the requirements of AASHTO M 105, Class 35B.  
 Bolts, anchor studs, washers and nuts shall conform to the requirements of ASTM A 307 and shall be galvanized according to AASHTO M 232.  
 Cast iron parts shall be unfinished.  
 The Contractor Shall take appropriate measures to assure that Protective Coat is not applied to the scuppers.  
 For scupper locations, see Partial Deck Plans.  
 Adjusting ring and grates shall be from Neenah or approved equal. Structural steel weldments or equal sections and of the same configuration may be substituted for cast iron. Fillet or full penetration welds may be used for weldments. Details shall be submitted to the Engineer for approval.  
 Provide 1/8 inch fillet weld around perimeter of new adjusting ring to secure to existing scupper. Electrode shall be compatible with cast iron.



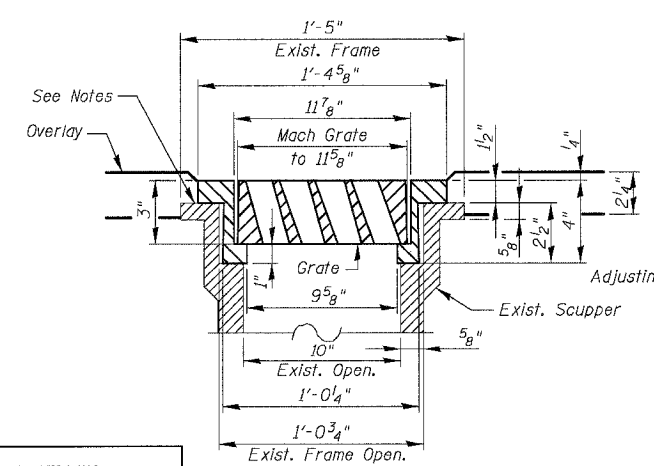
PLAN TYPE B SCUPPER



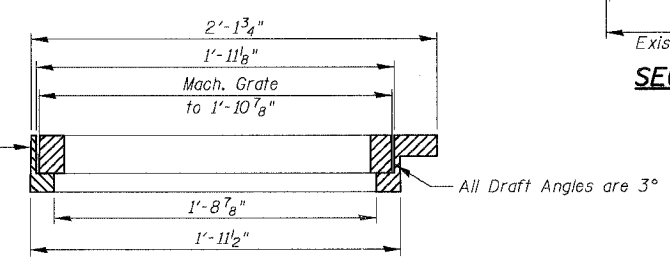
SECTION THRU TYPE A SCUPPER



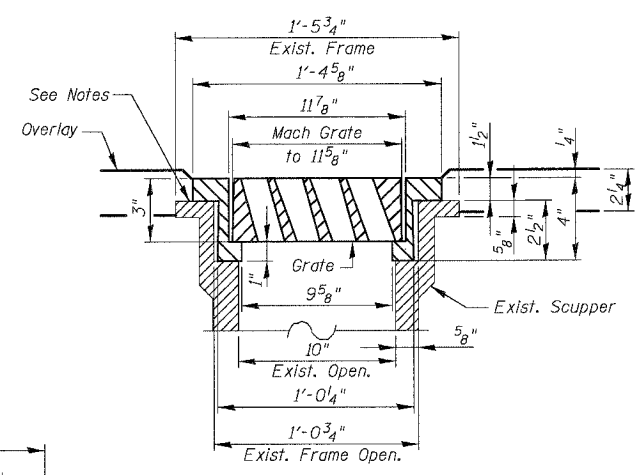
SECTION THRU TYPE B SCUPPER



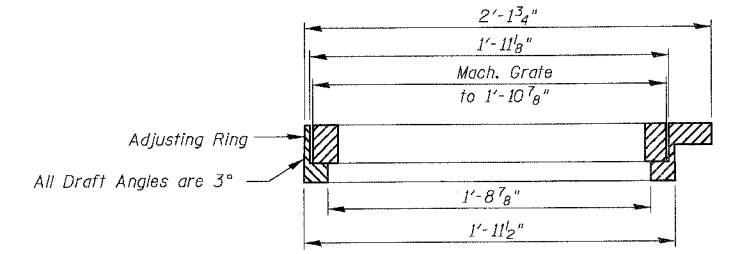
SECTION B-B



SECTION A-A



SECTION D-D



SECTION C-C

All Draft Angles are 3°

BOWMAN, BARRETT & ASSOCIATES INC.  
 CONSULTING ENGINEERS  
 Chicago, Illinois  
 312 228-0100  
 www.bbainc.com

**DRAINAGE SCUPPER DETAILS - TYPE A**  
 Vane Grate 3922-0006 machined to fit

REVISIONS		DATE	ILLINOIS DEPARTMENT OF TRANSPORTATION F.A.I. 94/90 (DAN RYAN EXPRESSWAY) NB DAN RYAN ELEVATED BRIDGE REPAIR FROM 15TH TO 28TH STREETS ADJUSTING DRAINAGE SCUPPER DETAILS
NAME			

SCALE: NTS  
 DATE: 7/22/2005  
 DRAWN BY: BDC  
 CHECKED BY: BLU