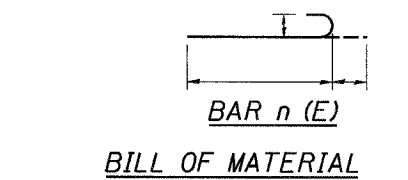
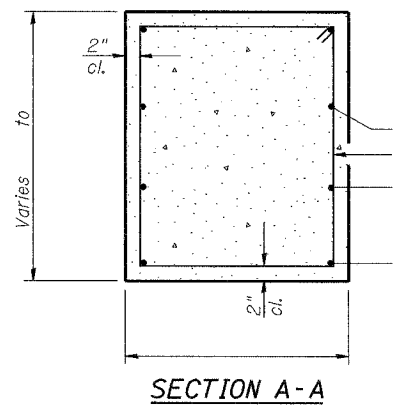
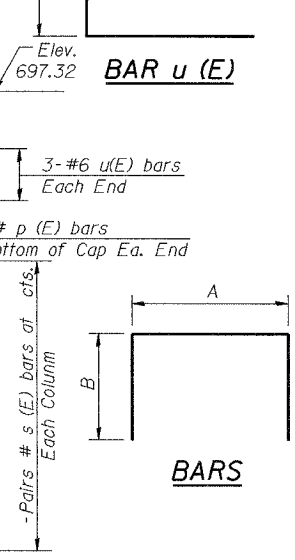
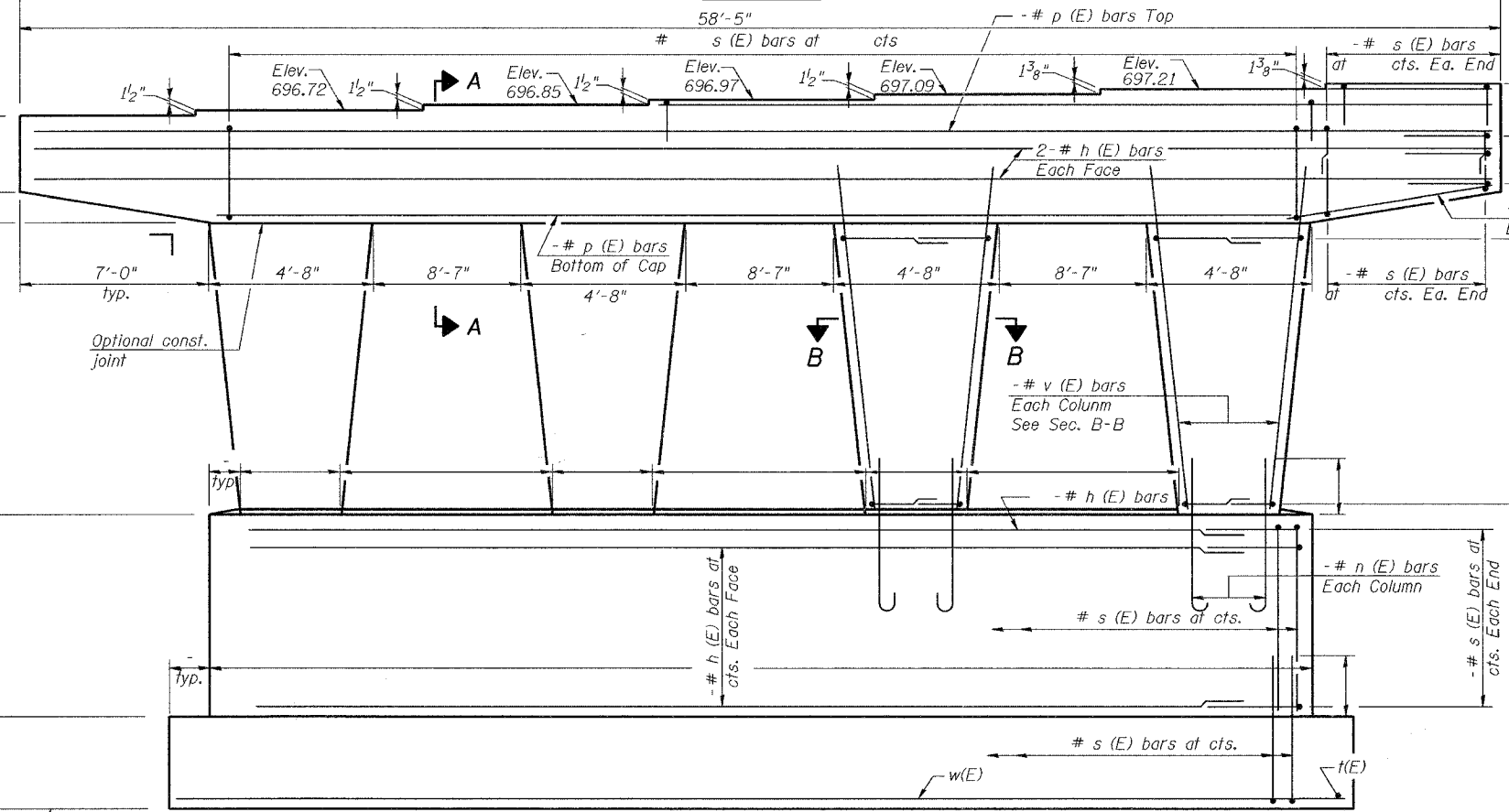
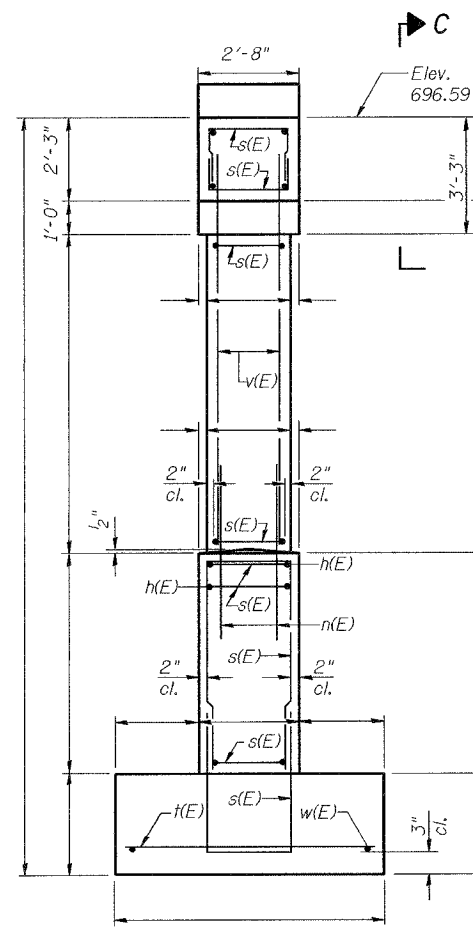
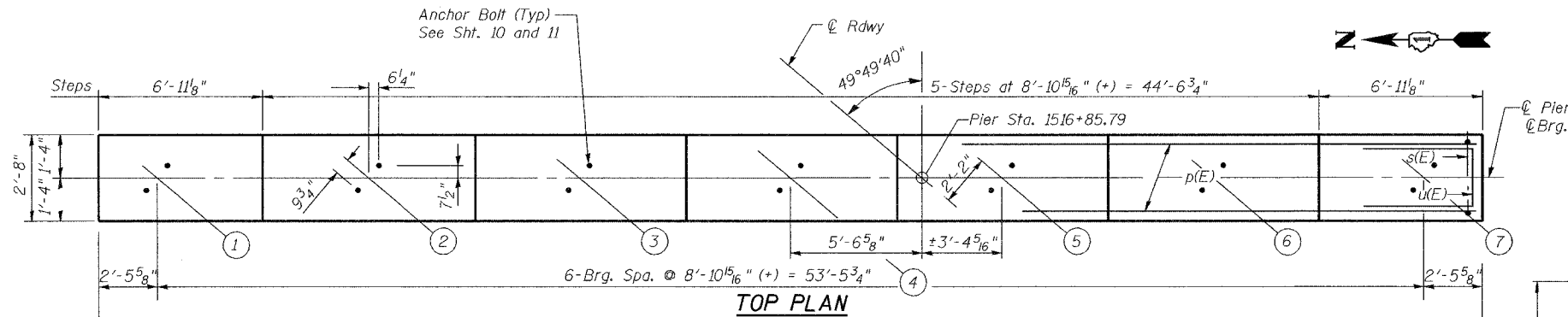


| | | | | |
|-----------------------|----------|-------------------|--------------|-----------|
| ROUTE NO. | SECTION | COUNTY | TOTAL SHEETS | SHEET NO. |
| FAU 3578 | 1327 F | COOK | 16 | 16 |
| FED. ROAD DIST. NO. 7 | ILLINOIS | FED. AID PROJECT- | | 14 SHEETS |

Notes:
 Space reinforcement in cap to miss anchor bolts.
 Four steps monolithically with cap.

Anchor Bolt (Typ)
 See Shf. 10 and 11



BILL OF MATERIAL

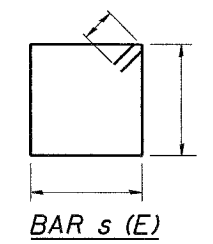
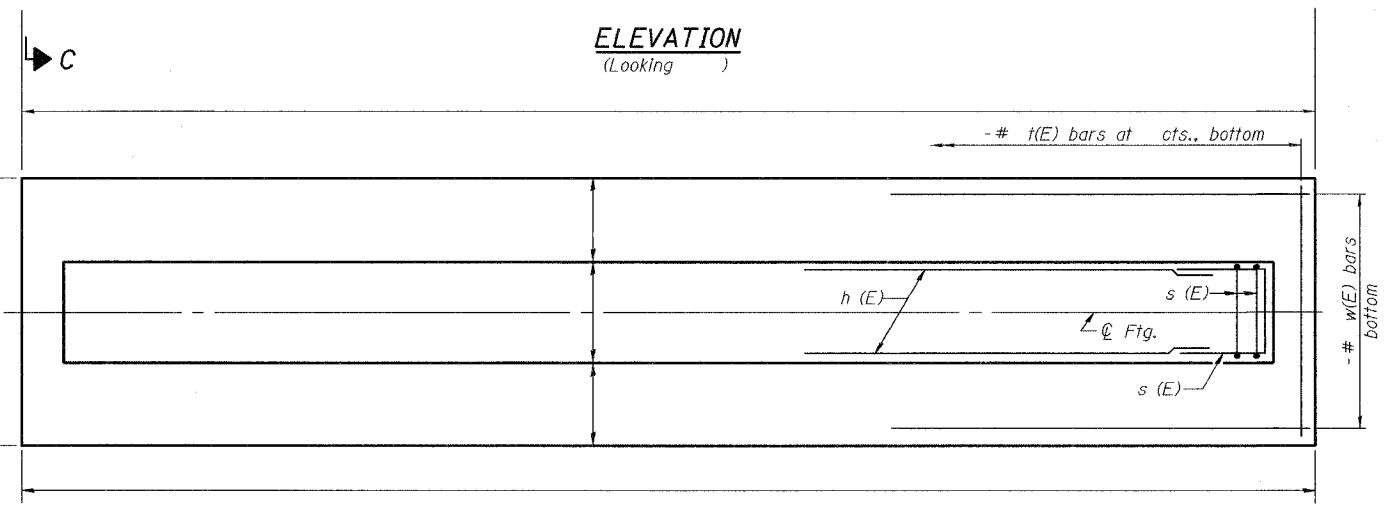
| Bar | No. | Size | Length | Shape |
|----------------------------------|-----|------|---------|-------|
| h (E) | | | | |
| h (E) | | | | |
| n (E) | | | | |
| p (E) | | | | |
| p (E) | | | | |
| p (E) | | | | |
| s (E) | | | | |
| s (E) | | | | |
| s (E) | | | | |
| s (E) | | | | |
| s (E) | | | | |
| t (E) | | | | |
| u (E) | | | | |
| v (E) | | | | |
| w (E) | | | | |
| Structure Excavation | | | Cu. Yd. | |
| Concrete Structures | | | Cu. Yd. | |
| Reinforcement Bars, Epoxy Coated | | | Pound | |

Reinforcement Bars designated (E) shall be epoxy coated.

| | |
|----------|-----|
| DESIGNED | JJI |
| CHECKED | SRT |
| DRAWN | MD |
| CHECKED | SRT |

B Bollinger, Lach & Associates, Inc.

P-6 10-22-04



FOR INFORMATION ONLY
 NOT PART OF THIS CONTRACT

PIER
 IL 7 (SOUTHWEST HIGHWAY) OVER
 US 45 (LA GRANGE ROAD)
 F.A.U. ROUTE 3578 SECTION 1327F
 COOK COUNTY
 STA. 1516+85.79
 STRUCTURE NUMBER 016-2847