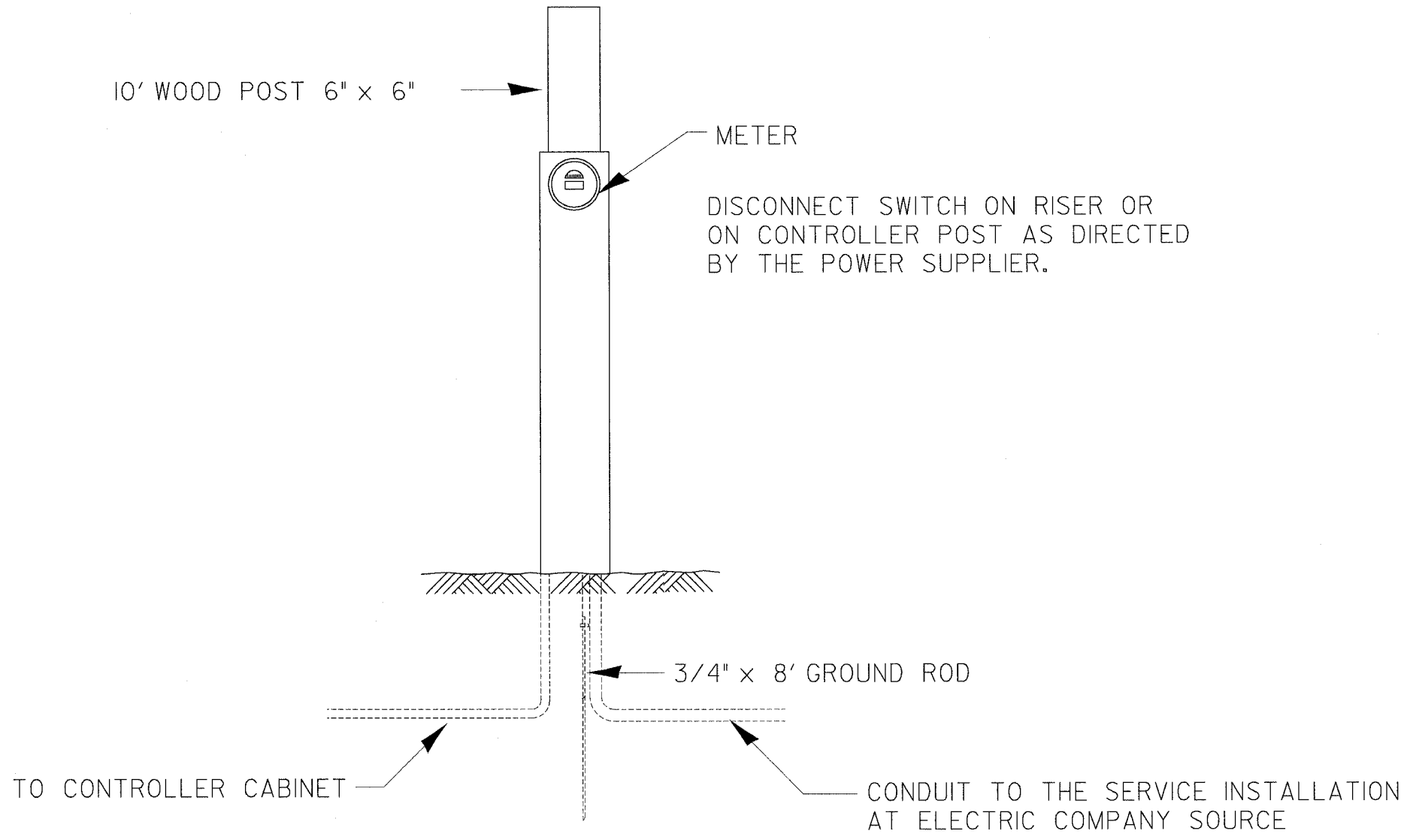


CONTRACT NO. 64594				
F.A. RTE.	SECTION	COUNTY	TOTAL SHEETS	SHEET NO.
•	I29 K	WINNEBAGO	585	162
STA.		TO STA.		
FED. ROAD DIST. NO.	ILLINOIS	FED. AID PROJECT		
190/ IL 173				



NOTE: SERVICE INSTALLATION REQUIREMENTS MAY VARY FROM ONE SUPPLIER TO OTHER.

ELECTRIC SERVICE INSTALLATION, SPECIAL
(SEE SPECIAL PROVISIONS)

PLOT DATE = #DATE*
FILE NAME = #FILE*
PLOT SCALE = #SCALE*
USER NAME = #USER*

REVISIONS		ILLINOIS DEPARTMENT OF TRANSPORTATION
NAME	DATE	
		SCALE: VERT. DRAWN BY HORIZ. CHECKED BY DATE