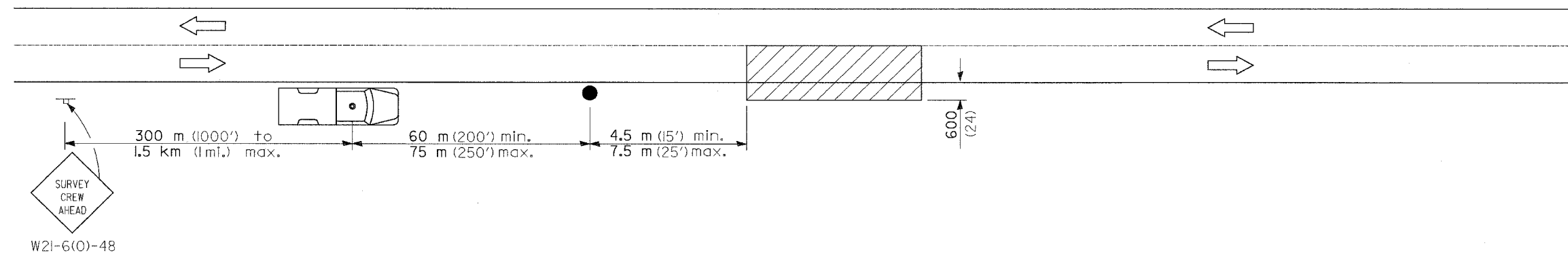
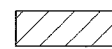



F.A.P. R.T.E.	SECTION	COUNTY	TOTAL SHEETS	SHEET NO.
303	129K	WINNEBAGO	585	172




SYMBOLS

 Work area

 Sign on portable or permanent support

 Truck with flashing amber light and dual emergency flashers

 Flagger with traffic control sign

TYPICAL APPLICATIONS  
Utility operations

All dimensions are in millimeters (inches) unless otherwise shown.

DATE	REVISIONS

DETAIL FOR  
NIGHTTIME LIGHTING  
INSPECTION