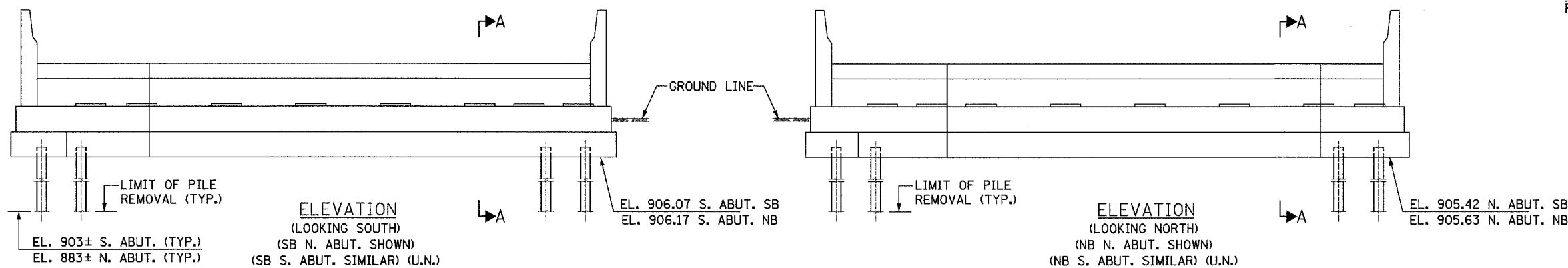
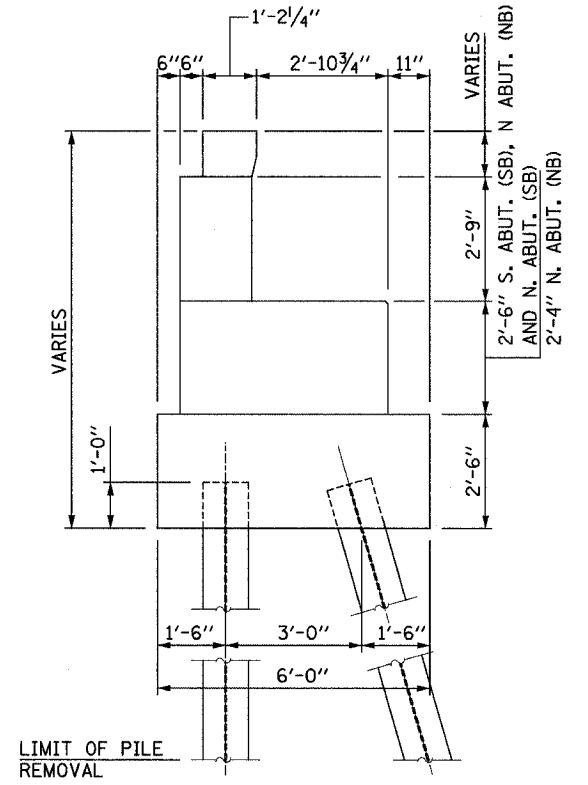
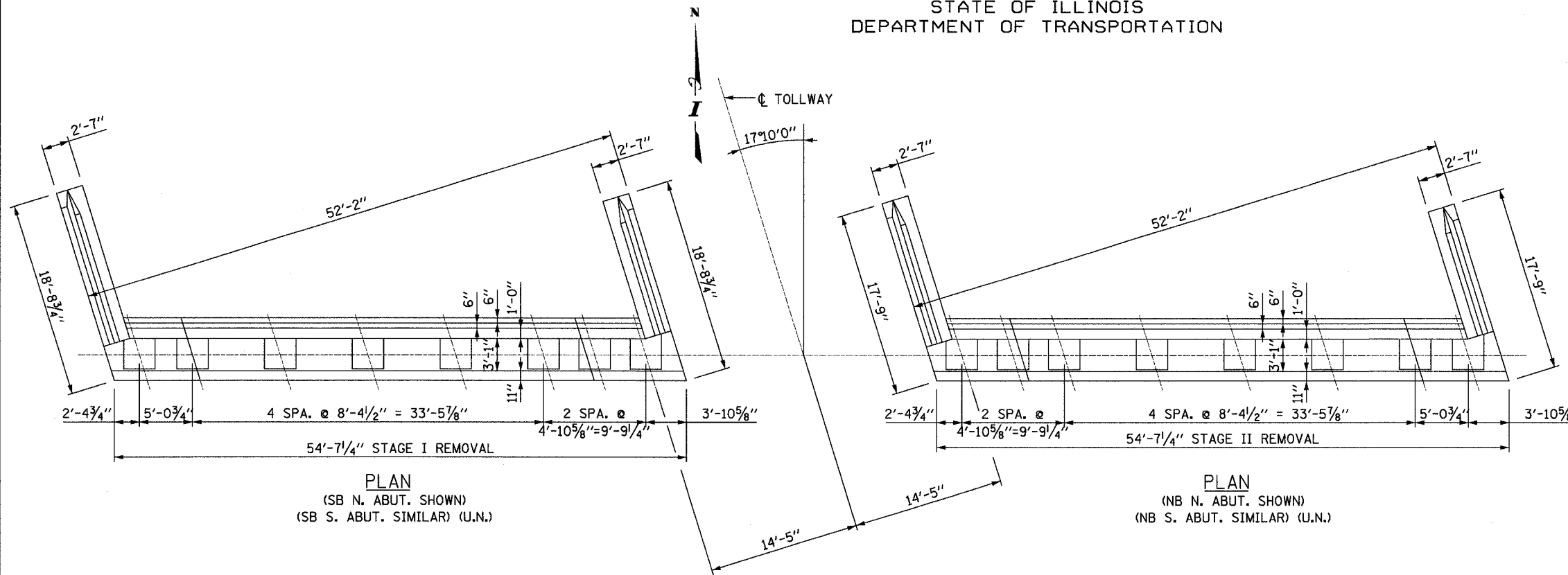


STATE OF ILLINOIS
DEPARTMENT OF TRANSPORTATION

ROUTE NO.	SECTION	COUNTY	FTE	SHEET NO.	SHEET NO. S04 OF SHEETS S47
303	129k	WINNEBAGO	585	183	
F.A.P.		ILLINOIS		FED. AID PROJECT-	
CONTRACT NO. 64594					



ESTIMATED CONCRETE REMOVAL		
DESCRIPTION	UNIT	QUANTITY
CONCRETE REMOVAL		
SB S. ABUT.	CU. YDS.	68.00
SB PIER 1	CU. YDS.	138.50
SB PIER 2	CU. YDS.	138.50
SB N. ABUT.	CU. YDS.	68.00
NB S. ABUT.	CU. YDS.	61.00
NB PIER 1	CU. YDS.	138.50
NB PIER 2	CU. YDS.	138.00
NB N. ABUT.	CU. YDS.	61.00
TOTAL	CU. YDS.	812.00

FOR INFORMATION ONLY

NOTE:
WORK THIS SHEET WITH SHEET S05.

EXISTING ABUTMENTS
N.W. TOLLWAY
OVER IL 173 (F.A.P. ROUTE 303)
SECTION 129K
WINNEBAGO COUNTY
STATION 443+73.62
S.N. 101-9963 (SB) & 101-9964 (NB)
TOLLWAY S.N. 703 (NB) & 704 (SB)

BILL OF MATERIAL			
PAY ITEM NUMBER	DESCRIPTION	UNIT	QUANTITY
50100100	Removal of Existing Structure	Each	2



DESIGNED	MS
CHECKED	JIG
DRAWN	DCP
CHECKED	JIG

\$\$\$DGN\$\$\$
\$\$\$SPRINT\$\$\$